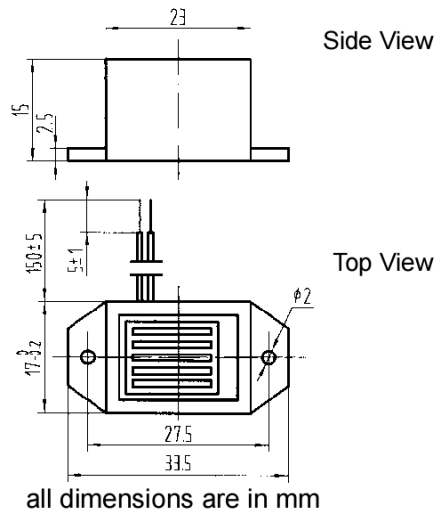


Data Sheet

MECHANICAL BUZZER



Technical data

Specifications:

Rated voltage	9VDC
Operating voltage	6V-12VDC
Max Rated current	25mA at 9VDC
Min Sound Pressure Level	75dB at 9VDC/20cm
Resonant Frequency	400±100Hz
Operating temperature	-20°C to +60°C
Storage Temperature	-30°C to +70°C
Housing material/color	ABS/BLACK
Weight	10g