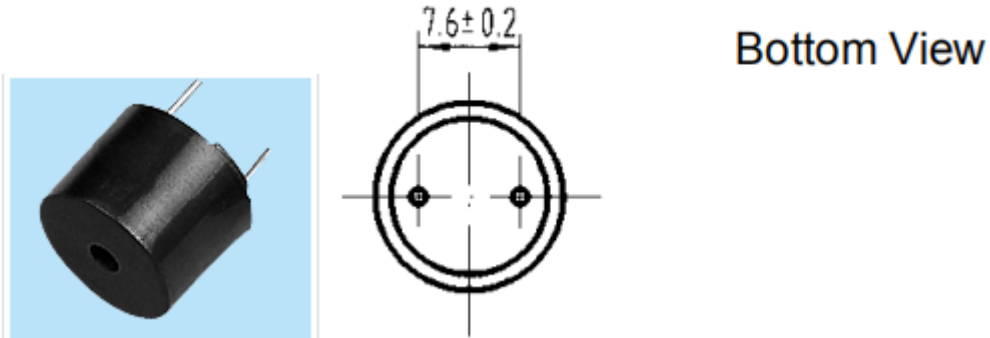
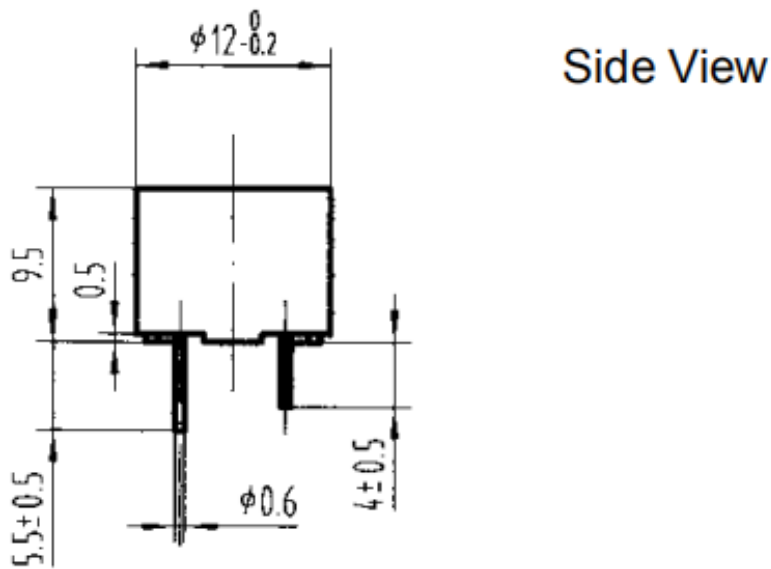


Data Sheet

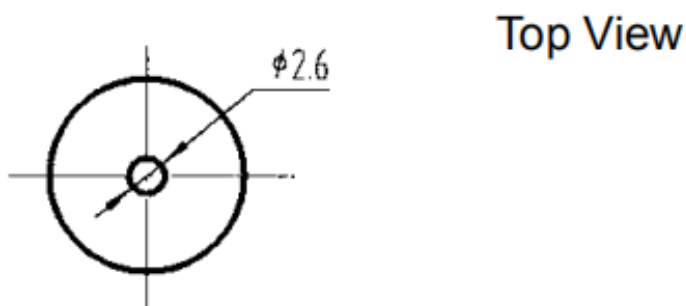
MAGNETIC BUZZER



Bottom View



Side View



Top View

all dimensions are in mm

Data Sheet

Technical data

Specifications:

Rated Voltage	DC 3V
Operating Voltage	DC 2~5V
Max Rated current	30mA/3VDC
Min Sound Pressure Level	80 dB at 10CM
Operating temperature	-20°C to +70°C
Storage Temperature	-30°C to +80°C
Housing material	PBT
Resonant Frequency	2300± 300KHz
Weight	2 g

Frequency:

