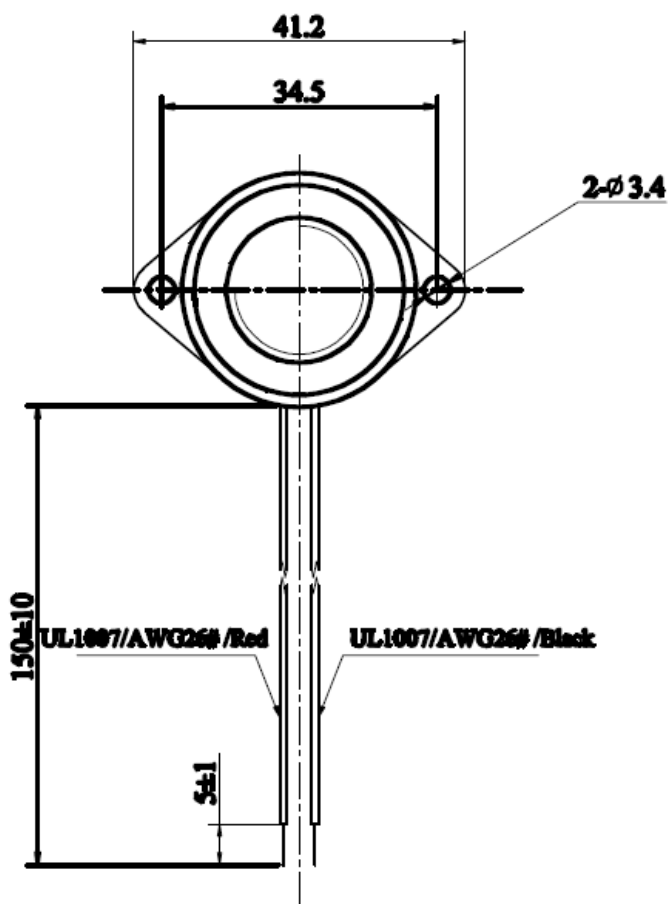
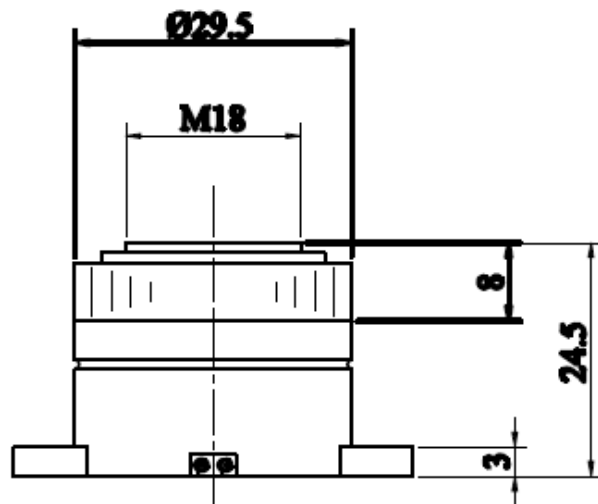
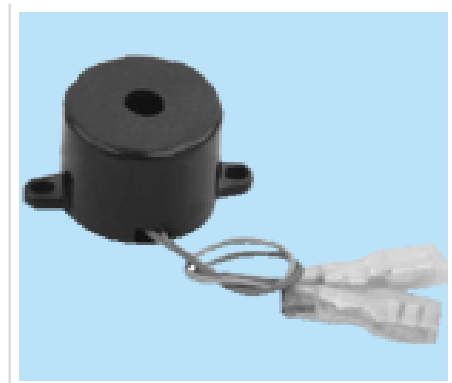


Data Sheet

Piezo Buzzer



Data Sheet

SPECIFICATION

1.Rated Voltage	12 VDC
2.Operating Voltage	3~24 VDC
3.Max.Rated Current	15mA/12VDC
4.Resonant Frequency	3.7±0.5KHz
5.Min.Sound Pressure Level	90dB/12VDC/30cm
6.Tone Nature	Continuous
7.Shell Material/Color	ABS/Black
8.Operating Temperature	-20 ~ +60℃
9.Store Temperature	-30 ~ +70℃
10.Weight	15g
Red(红)	Positive(+)
Black(黑)	Negative(-)