

# simplyCAN



The Ixxat simplyCAN is a simple, uncomplicated and very cost-efficient way to connect a computer plug-and-play to a CAN bus network. It can be easily integrated into customer applications using a straightforward API and requires no driver installation for operation.

The Ixxat simplyCAN comes with a simple monitoring tool for Windows and Linux, which can be used for commissioning of the adapter as well as for displaying messages in raw format and for sending individual messages.

## FEATURES AND BENEFITS

- Inexpensive and easy to install – no driver installation required
- Galvanic isolation
- Compatible with USB 1.1, USB 2.0, and USB 3.x
- Simple API interface for fast integration into customer applications
- Optimized for diagnosis and commissioning of devices and systems with CAN bus interface

ORDER NUMBER	1.01.0001.12001
CAN channels (high speed)	1
CAN bus interface	1 x D-Sub 9, CiA standard pinning according to CiA 303-1
CAN bit rates	10 kbit/s to 1 Mbit/s, only CiA recommended bit rates are supported: 10, 20, 50, 125, 250, 500, 800, 1000 kbit/s
CAN bus termination resistors	None
CAN high-speed transceiver	SN65HVD251
Galvanic isolation	800 V DC / 500 V AC for 1 min
USB Interface	USB 1.1 Full-Speed (12 Mbit/s) compatible with USB 2.0, and USB 3.x
USB connector	Type-A connector
Power supply	+5 V DC / 100 mA (via USB port)
Dimensions	80 x 50 x 22 mm
Weight	100 g
Operating temperature	-20 °C to +70 °C
Storage temperature	-40 °C to +85 °C
Protection class	IP40
Relative humidity	10 to 95 %, non-condensing

<b>ORDER NUMBER</b>	<b>1.01.0001.12001</b>
Certification	CE, FCC
Housing material	ABS plastic
LED	Two LEDs for CAN and USB communication
Operating Systems	simplyCAN is tested on Windows 7 (32 bit and 64 bit) and Windows 10 (64 bit), Ubuntu 14.04 on Linux kernel version 4.4 as well as Ubuntu 18.04 on Linux kernel version 4.15 on Intel/AMD proc

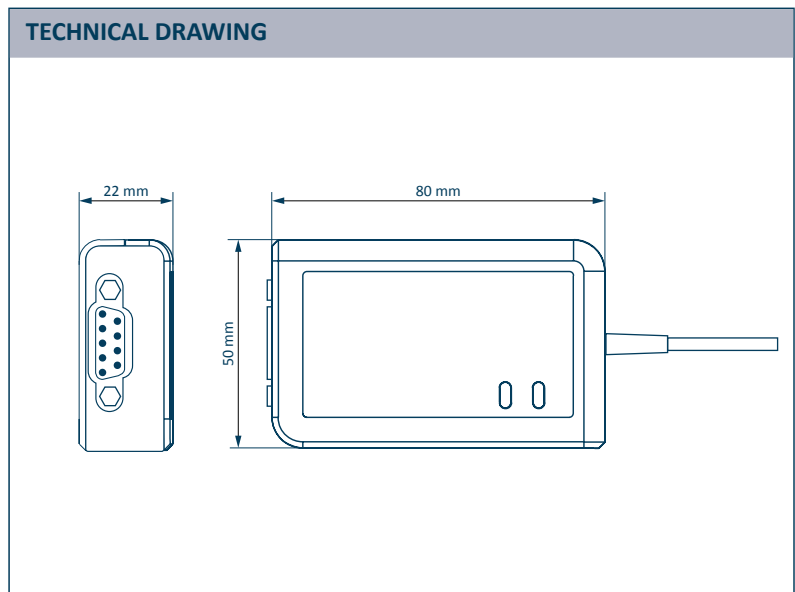


<b>ACCESSORIES</b>	<b>ORDER NUMBER</b>
Termination adapter for CAN/CAN FD (D-Sub male to female)	1.04.0075.03000
CAN cable 2.0 m (D-Sub male to female)	1.04.0076.00180
CAN-Y-Kabel 0,22 m	1.04.0076.00001
CAN Y cable 2.1 m	1.04.0076.00002

**PIN ALLOCATION**

CAN CONNECTOR D-Sub 9

Pin no.	Signal
7	CAN-High
2	CAN-Low
3, 6	CAN-GND



## SOFTWARE SUPPORT

### **Drivers and programming interfaces**

HMS offers for the simplyCAN free driver packages for Windows, Linux and Raspberry Pi. The driver packages also include a programming interface, enabling customers to develop own analysis, control or configuration applications based on the simplyCAN. File downloads and further information can be found under [www.ixxat.com/support](http://www.ixxat.com/support)

### **Tools**

simplyCAN comes with a simple monitoring tool for Windows and Linux, which can be used for commissioning of the adapter as well as for displaying messages in raw format and for sending individual messages.