

CAX1800

Quick Installation Guide

11-2019 / v1.0

Edimax Technology Co., Ltd.

No. 278, Xinhua 1st Rd., Neihu Dist., Taipei City, Taiwan

Email: support@edimax.com.tw

Edimax Technology Europe B.V.

Fijenhof 2, 5652 AE Eindhoven, The Netherlands

Email: support@edimax.nl

Edimax Computer Company

3444 De La Cruz Blvd., Santa Clara, CA 95054, USA

Email: support@edimax.com

Contents

I. Product Information.....	1
I-1. Package Contents.....	2
I-2. System Requirements	2
I-3. Hardware Overview	3
I-4. LED Status	4
II. Hardware Installation.....	5
III.Quick Setup (AP Mode)	8
IV.Basic Settings	10
IV-1. Changing IP Address.....	11
IV-2. Changing SSID For 2.4GHz Wireless Network.....	12
IV-3. Configuring Security Settings of 2.4GHz wireless network.....	14
IV-4. Changing Security Setting for 5GHz wireless network.....	15
IV-5. Changing Admin Name and Password.....	16
IV-6. Changing Date and Time	18
V. Quick Setup – NMS	19
VI. WPS.....	26
VII. Reset	28

I. Product Information

The CAX1800 with the latest emerging IEEE 802.11ax Wi-Fi 6 technology effortlessly create a reliable internet connection. Place the CAX1800 between the router and the location where you need better wireless coverage and enjoy high-speed wireless connection throughout your home or office.

You can find all supporting documents from the link below or via QR Code:

<https://www.edimax.com/download>

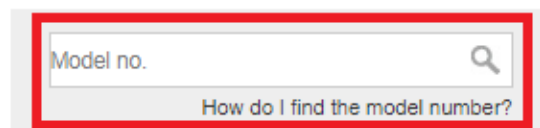


(Once you've visited the Edimax official website, please enter the model no. "CAX1800" into the search box to search for your product.)

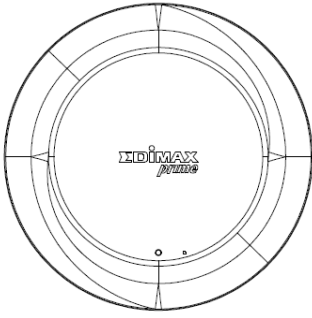
Download

To select your product and find related download materials, enter the model number into the search box on the right side or follow the simple steps below:

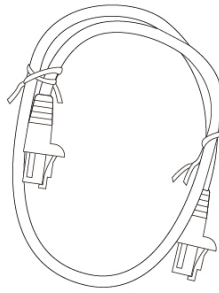
*Feel free to contact us anytime if you need help or if you can't find your product.

A screenshot of a search box on a website. The search box is rectangular with a light gray background and a red border. Inside the box, the text "Model no." is visible on the left, and a magnifying glass icon is on the right. Below the search box, the text "How do I find the model number?" is displayed.

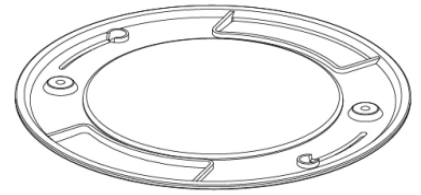
I-1. Package Contents



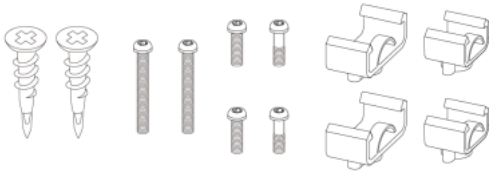
CAX1800



Ethernet Cable



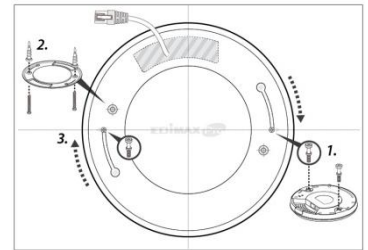
Ceiling Mount Bracket



T-Rail Mounting Kit & Screw



QIG

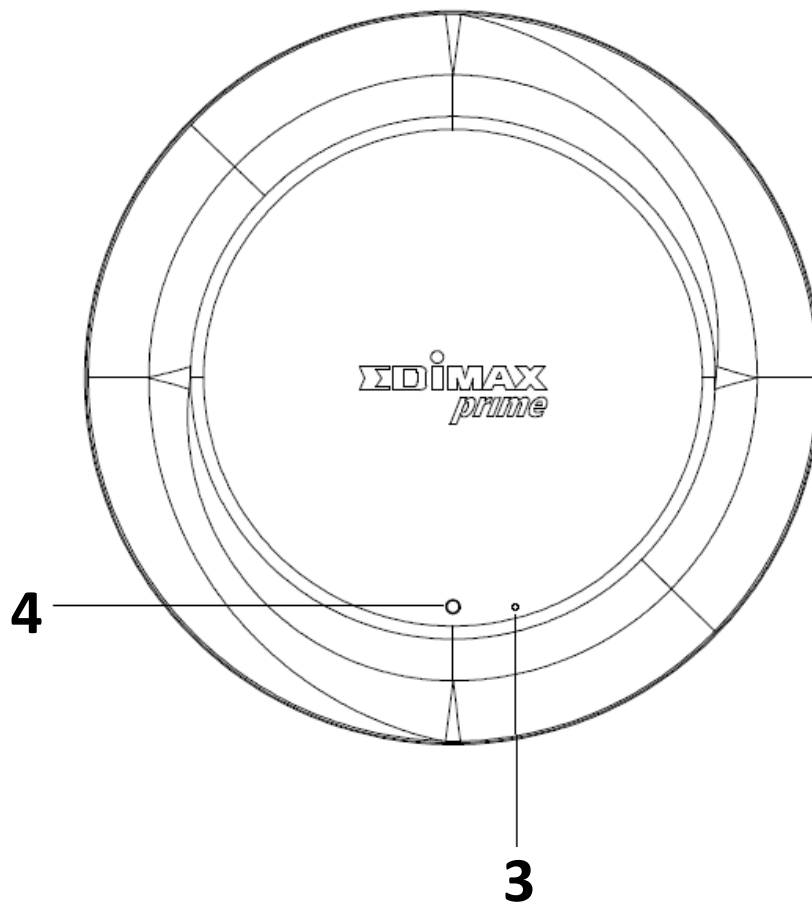
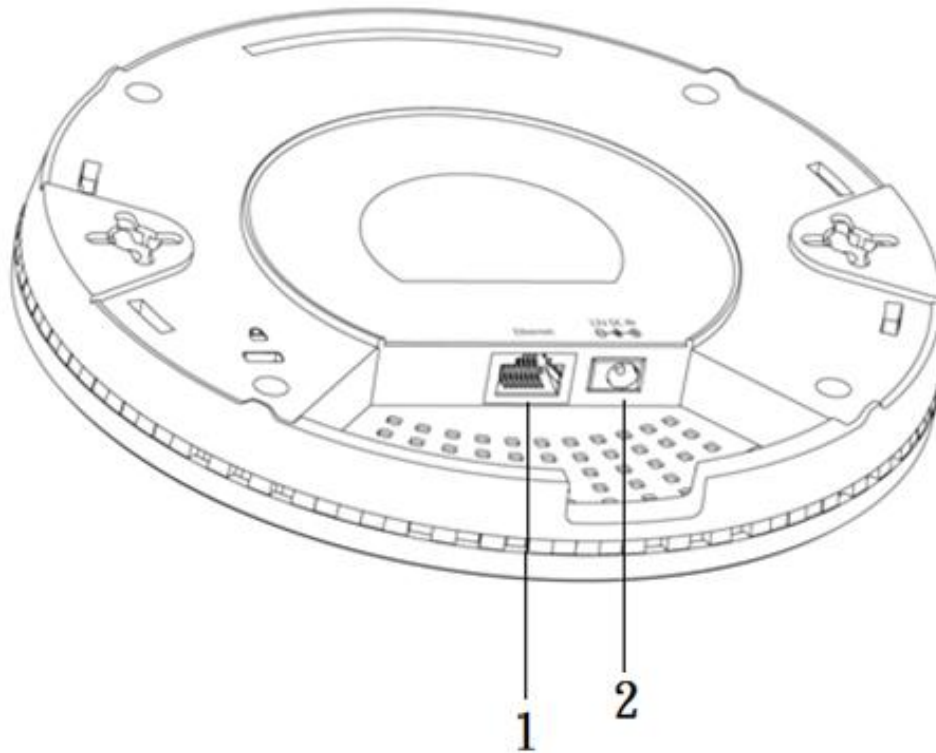


Ceiling Mount Screw Template

I-2. System Requirements

- Existing cable/DSL modem & router
- Computer with web browser for AP configuration

I-3. Hardware Overview



No.	Description
1	Ethernet Port (PoE)
2	Power Jack (12V/1.5A)
3	Reset Button
4	LED

I-4. LED Status

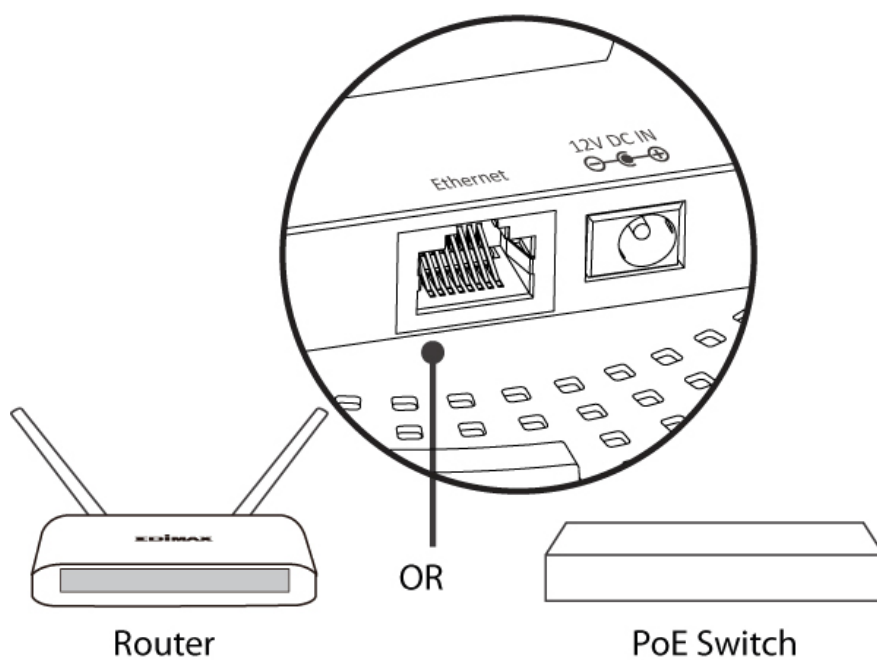
Color	Status	Description
Blue	On	Power is on.
	Flashing Slowly	Upgrading firmware.
	Flashing Quickly	Resetting to factory defaults.
Red	On	Starting up.
	Flashing	Error.
Off	Off	Power is off.

II. Hardware Installation

This section will guide you through the steps to set up your CAX1800.

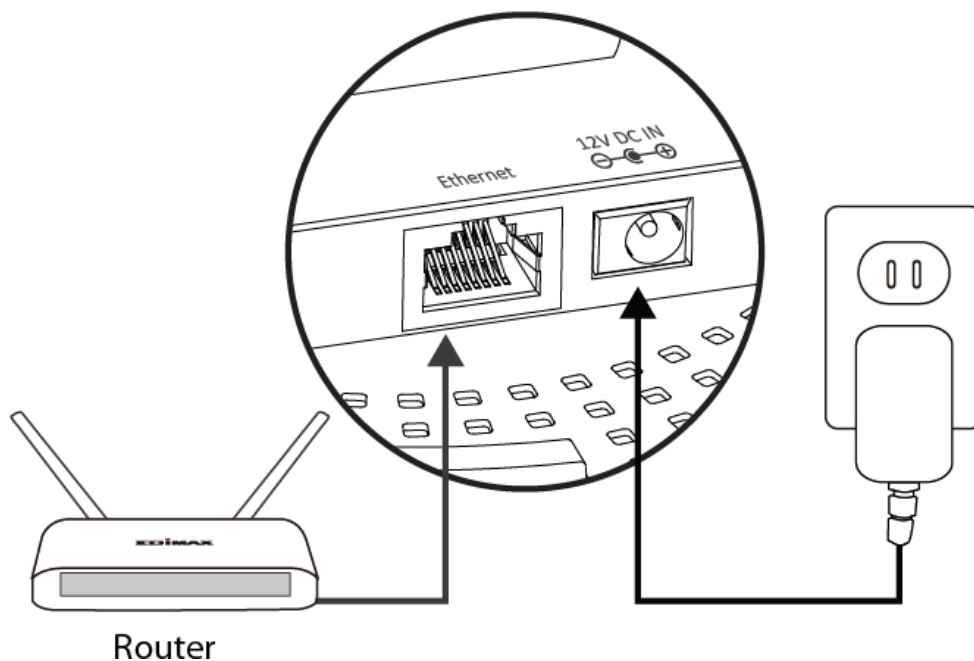
Router or Switch:

Connect the AP to a router or a PoE switch using an Ethernet cable.



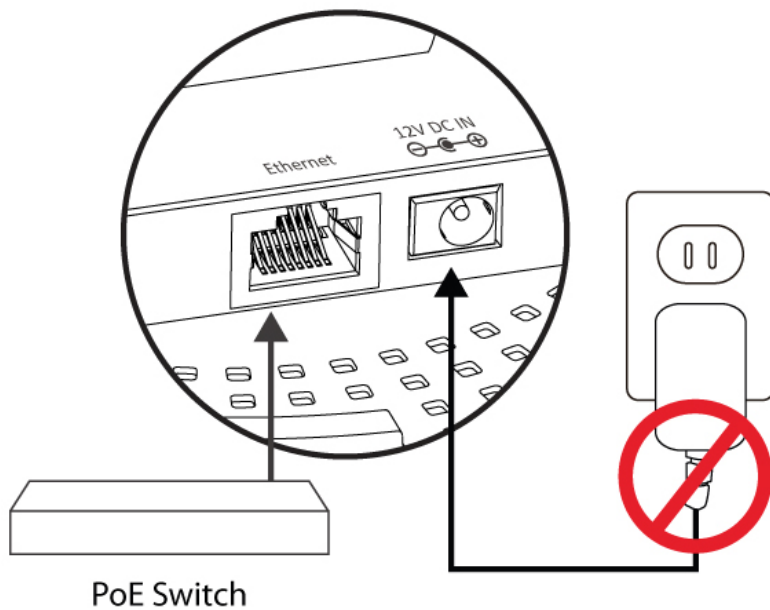
II-1. Connect AP to a router

If router is used, connect the power adapter to the AP and plug the power adapter into a power supply. Please wait a moment for the AP to start up. The AP is ready when the LED is **Blue**.



II-2. Connect AP to a PoE switch

If PoE switch is used, make sure the Ethernet cable is connected to Ethernet port from the PoE switch. The AP will be powered by the switch. Please wait a moment for the AP to start up. The AP is ready when the LED is **Blue**.




 **Do not use the power adapter if you are using a PoE switch.**

III. Quick Setup (AP Mode)


This quick installation section will help you setup your AP in its default AP mode and configure its basic settings.

Please follow the steps below:

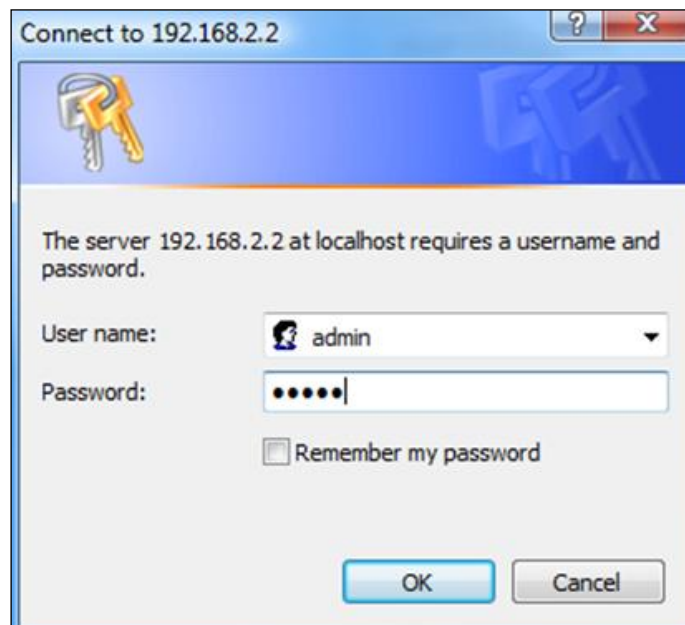
1. Enter the AP's default IP address "192.168.2.2" into the URL bar of a web browser.



192.168.2.2/

 **Please ensure to set your computer's IP address to "192.168.2.X" where X is a number in the range 3 ~ 100.**

2. You will be prompted for a username and password. Enter the default username "admin" and password "1234".



Connect to 192.168.2.2

The server 192.168.2.2 at localhost requires a username and password.

User name: admin

Password:

Remember my password

OK Cancel

3. Home screen will be shown.

The screenshot displays the EDIMAX CAX1800 web management interface. The top navigation bar includes 'Home | Logout | Global (English)'. The main menu contains 'Information', 'Network Settings', 'Wireless Settings', 'Management', 'Advanced', and 'Operation Mode'. The left sidebar shows a tree view under 'Information' with 'System Information' selected. The main content area is titled 'System Information' and contains three sections: 'System', 'Wired LAN Port Settings', and 'Wireless 2.4GHz'. The 'System' section is a table with the following data:

System	
Model	CAX1800
Product Name	AP00037FBADBAD
Uptime	0 day 00:02:37
System Time	2012/01/01 00:02:08
Boot from	Internal memory
Firmware Version	1.0.0
MAC Address	[REDACTED]
IP Address	192.168.2.101 <input type="button" value="Refresh"/>
Default Gateway	192.168.2.1
DNS	192.168.2.1 8.8.8.8
DHCP Server	192.168.2.1

The 'Wired LAN Port Settings' section shows a table with the following data:

Wired LAN Port	Status
LAN1	Connected (100 Mbps Full-Duplex)

The 'Wireless 2.4GHz' section is a table with the following data:

Status	Enabled
MAC Address	00:03:7F:BA:DB:AD
Channel	Ch 9 (Auto)
Transmit Power	100%
RSSI	0

The 'Wireless 2.4GHz /SSID' section is currently empty. The footer of the page reads 'Copyright 2012 © EDIMAX Technology Co., Ltd. All Rights Reserved'.

IV. *Basic Settings*

In our recommendation, please check each of the settings that listed below before using the AP.

- LAN IP Address
- 2.4GHz & 5GHz SSID & Security
- Administrator Name & Password
- Time & Date



Please note that whenever a new setting is applied to the AP, the webpage will reload, as shown below:

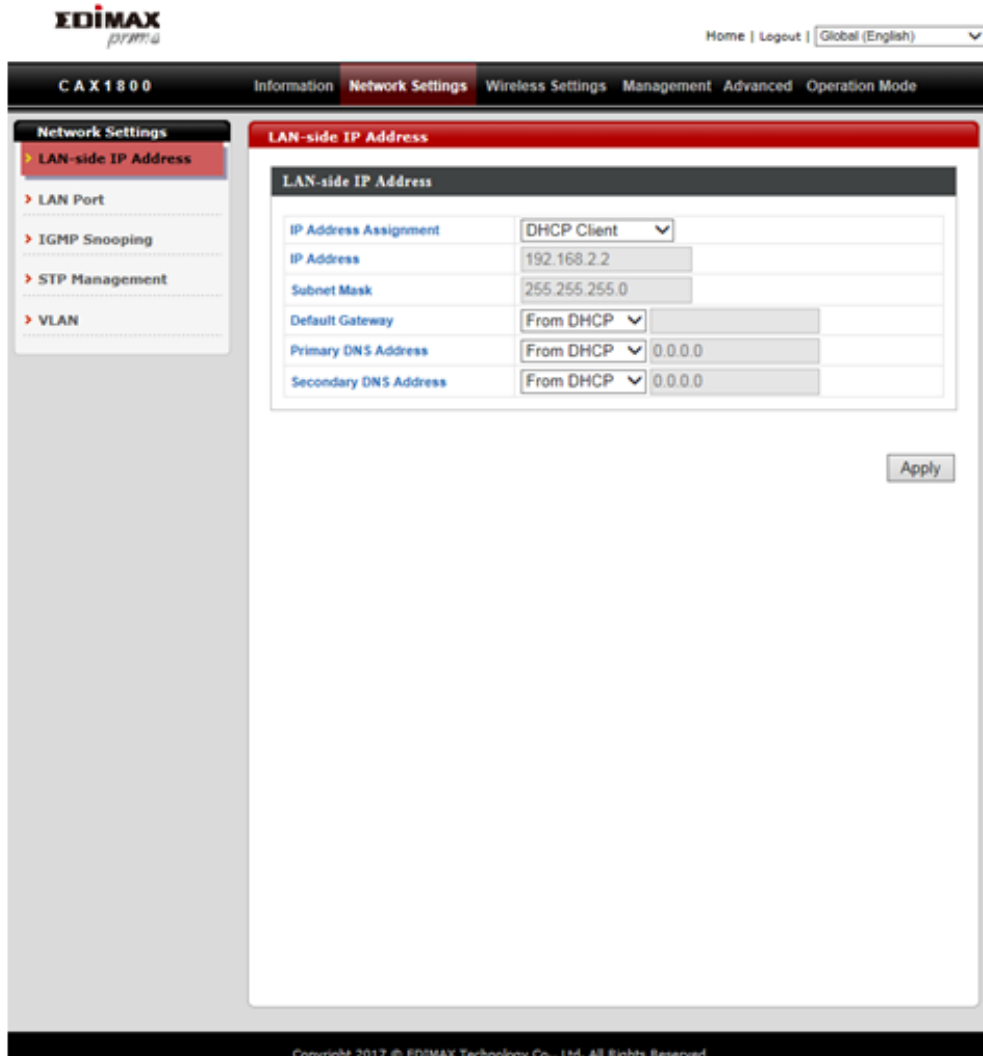
Configuration is complete. Reloading now...

Please wait for seconds.

Please follow the instructions below for the basic settings.

IV-1. Changing IP Address

1. Go to “Network Settings” and tap “LAN-side IP Address”.



The screenshot shows the EDIMAX CAX1800 web interface. The top navigation bar includes "Home | Logout | Global (English)". The main menu has "Information", "Network Settings", "Wireless Settings", "Management", "Advanced", and "Operation Mode". The "Network Settings" section is expanded, showing "LAN-side IP Address", "LAN Port", "IGMP Snooping", "STP Management", and "VLAN". The "LAN-side IP Address" configuration page is displayed, featuring a table with the following fields:

LAN-side IP Address	
IP Address Assignment	DHCP Client
IP Address	192.168.2.2
Subnet Mask	255.255.255.0
Default Gateway	From DHCP
Primary DNS Address	From DHCP 0.0.0.0
Secondary DNS Address	From DHCP 0.0.0.0

An "Apply" button is located at the bottom right of the configuration area. The footer of the page reads "Copyright 2017 © EDIMAX Technology Co., Ltd. All Rights Reserved".

2. Enter the IP address settings you wish to use for your AP. You can use a dynamic (DHCP) or static IP address, depending on your network environment. Click “Apply” to save the changes and wait a few moments for the AP to reload.



When you change your AP’s IP address, you need to use the new IP address to access the browser based configuration interface instead of the default IP 192.168.2.2.

IV-2. Changing SSID For 2.4GHz Wireless Network

1. Go to “Wireless Settings”.
2. Tap “2.4GHz 11bgn”.
3. Tap “Basic”.
4. Enter the new SSID for your 2.4GHz wireless network in the “SSID1” field and click “Apply”.

The screenshot displays the EDIMAX CAX1800 web interface. The top navigation bar includes 'Home | Logout | Global (English)'. The main menu shows 'CAX1800' and 'Wireless Settings' is selected. The left sidebar lists various settings categories, with '2.4GHz 11bgn' and 'Basic' highlighted. The main content area shows the '2.4GHz Basic Settings' form. The 'SSID1' field is highlighted with a red box and contains the text 'CAX1800-BADBAD_G'. Other settings include 'Wireless' (Enabled), 'Band', 'Enable SSID number' (1), 'Auto Channel' (Enabled), 'Auto Channel Range' (Ch 1 - 11), 'Auto Channel Interval' (One day), 'Channel Bandwidth' (20 MHz), and 'BSS BasicRateSet' (1,2,5,11 Mbps). 'Apply' and 'Cancel' buttons are at the bottom right.

2.4GHz Basic Settings	
Wireless	<input checked="" type="radio"/> Enable <input type="radio"/> Disable
Band	<input type="text"/>
Enable SSID number	1
SSID1	CAX1800-BADBAD_G
Auto Channel	<input checked="" type="radio"/> Enable <input type="radio"/> Disable
Auto Channel Range	Ch 1 - 11
Auto Channel Interval	One day
	<input type="checkbox"/> Change channel even if clients are connected
Channel Bandwidth	20 MHz
BSS BasicRateSet	1,2,5,11 Mbps



To utilize multiple 2.4GHz SSIDs, open the drop down menu labelled “Enable SSID number” and select how many SSIDs you require. Then enter a new SSID in the corresponding numbered fields below, before clicking “Apply”.

The screenshot shows the EDIMAX CAX1800 wireless settings interface. The 'Basic' tab is selected under the '2.4GHz 11bgn' section. The '2.4GHz Basic Settings' section is highlighted with a red box, showing the following configuration:

Setting	Value
Wireless	<input checked="" type="radio"/> Enable <input type="radio"/> Disable
Band	G
Enable SSID number	2
SSID1	CAX1800-BADBAD_G
SSID2	CAX1800-BADBAD_G_2

Other settings visible in the '2.4GHz Basic Settings' section include:

Setting	Value
Auto Channel	<input checked="" type="radio"/> Enable <input type="radio"/> Disable
Auto Channel Range	Ch 1 - 11
Auto Channel Interval	One day
Change channel even if clients are connected	<input type="checkbox"/>
Channel Bandwidth	20 MHz
BSS BasicRateSet	1,2,5,5,11 Mbps

Buttons for 'Apply' and 'Cancel' are located at the bottom right of the settings area.

IV-3. Configuring Security Settings of 2.4GHz wireless network

1. Go to “Wireless Settings”.
2. Tap “2.4GHz 11bgn”.
3. Tap “Security”.
4. Select an “Authentication Method”, enter or select fields where appropriate, and click “Apply”.

The screenshot displays the EDIMAX CAX1800 web interface. The top navigation bar includes 'Home | Logout | Global (English)'. The main menu shows 'Wireless Settings' selected, with sub-menus for 'Information', 'Network Settings', 'Wireless Settings', 'Management', 'Advanced', and 'Operation Mode'. The left sidebar lists various settings categories, with 'Security' highlighted under the '2.4GHz 11bgn' section. The main content area is titled 'Security' and contains two sections: '2.4GHz Wireless Security Settings' and '2.4GHz Wireless Advanced Settings'. The '2.4GHz Wireless Security Settings' section includes fields for SSID (CAX1800-BADBAD_G), Broadcast SSID (Enable), Wireless Client Isolation (Disable), 802.11k (Disable), 802.11w (Disable), and Load Balancing (100/100). The 'Authentication Method' is set to 'No Authentication', and 'Additional Authentication' is set to 'No additional authentication'. The '2.4GHz Wireless Advanced Settings' section includes 'Smart Handover Settings' with 'Smart Handover' set to 'Disable' and 'RSSI Threshold' set to '-80 dB'. 'Apply' and 'Cancel' buttons are located at the bottom right of the settings area. The footer contains the copyright notice: 'Copyright 2017 © EDIMAX Technology Co., Ltd. All Rights Reserved'.



If multiple SSIDs are used, specify which SSID to configure using the “SSID” drop down menu.

The screenshot shows the EDIMAX prime CAX1800 web interface. The top navigation bar includes 'Home | Logout | Global (English)'. The main menu has 'Wireless Settings' selected. The left sidebar shows 'Wireless Settings' expanded to '2.4GHz 11bgn', with 'Security' highlighted. The main content area is titled 'Security' and contains two sections: '2.4GHz Wireless Security Settings' and '2.4GHz Wireless Advanced Settings'. In the '2.4GHz Wireless Security Settings' section, the 'SSID' dropdown menu is highlighted with a red box and contains the value 'CAX1800-BADBAD_G'. Other settings include 'Broadcast SSID' (Enable), 'Wireless Client Isolation' (Disable), '802.11k' (Disable), '802.11w' (Disable), 'Load Balancing' (100/100), 'Authentication Method' (No Authentication), and 'Additional Authentication' (No additional authentication). The '2.4GHz Wireless Advanced Settings' section includes 'Smart Handover Settings' with 'Smart Handover' set to 'Disable' and 'RSSI Threshold' set to '-80 dB'. 'Apply' and 'Cancel' buttons are at the bottom right. The footer contains 'Copyright 2017 © EDIMAX Technology Co., Ltd. All Rights Reserved'.

IV-4. Changing Security Setting for 5GHz wireless network

Follow the steps outlined in “Changing SSID for 2.4GHz wireless network” and “Configuring Security Setting for 2.4GHz wireless network” but choose the 5GHz option instead.

IV-5. Changing Admin Name and Password

1. Go to “Management”.
2. Tap “Admin”.

The screenshot displays the EDIMAX prime CAX1800 web management interface. The top navigation bar includes 'Home | Logout | Global (English)'. The main menu shows 'Management' selected, with a sub-menu on the left containing 'Admin', 'Date and Time', 'Syslog Server', 'Ping Test', 'Traceroute Test', and 'I'm Here'. The 'Admin' page is divided into two main sections:

- Account to Manage This Device:** This section, highlighted with a red border, contains:
 - Administrator Name:** A text input field containing 'admin'.
 - Administrator Password:** A masked text input field (4-32 Characters).
 - Confirm Password:** A masked text input field (Confirm).
 - An **Apply** button.
- Advanced Settings:** This section contains various configuration options:
 - Product Name:** AP00037FBADBAD
 - HTTP Port:** 80 (80, 1024-65535)
 - HTTPS Port:** 443 (443, 1024-65535)
 - Management Protocol:** Checkboxes for HTTP, HTTPS, TELNET, SSH, and SNMP.
 - Login Timeout:** 5 (mins)
 - SNMP Version:** v1/v2c
 - SNMP Get Community:** public
 - SNMP Set Community:** private
 - SNMP V3 Name:** admin
 - SNMP V3 Password:** masked
 - SNMP Trap:** Disabled
 - SNMP Trap Community:** public
 - SNMP Trap Manager:** empty field

At the bottom of the page, there is a copyright notice: Copyright 2017 © EDIMAX Technology Co., Ltd. All Rights Reserved.

3. Complete the “Administrator Name” and “Administrator Password” fields and click “Apply”.

The screenshot displays the EDIMAX CA X1800 Management web interface. The top navigation bar includes 'Home | Logout | Global (English)'. The main menu has 'Management' selected, with sub-options for 'Information', 'Network Settings', 'Wireless Settings', 'Advanced', and 'Operation Mode'. A left sidebar lists 'Management' options: 'Admin', 'Date and Time', 'Syslog Server', 'Ping Test', 'Traceroute Test', and 'I'm Here'. The 'Date and Time' section is highlighted in red and contains three sub-sections: 'Date and Time Settings', 'NTP Time Server', and 'Time Zone'. The 'Date and Time Settings' section includes a 'Local Time' table with dropdowns for Year (2012), Month (Jan), Day (1), Hours (0), Minutes (00), and Seconds (00), and an 'Acquire Current Time from Your PC' button. The 'NTP Time Server' section has 'Use NTP' (disabled), 'Auto Daylight Saving' (enabled), 'Server Name' (User-Defined), and 'Update Interval' (24 Hours). The 'Time Zone' section has a dropdown menu set to '(GMT) Greenwich Mean Time: Dublin, Edinburgh, Lisbon, London'. 'Apply' and 'Cancel' buttons are at the bottom right. The footer contains the copyright notice: 'Copyright 2017 © EDIMAX Technology Co., Ltd. All Rights Reserved'.

Date and Time Settings						
Local Time	2012	Year	Jan	Month	1	Day
	0	Hours	00	Minutes	00	Seconds

NTP Time Server	
Use NTP	<input type="checkbox"/> Enable
Auto Daylight Saving	<input checked="" type="checkbox"/> Enable
Server Name	User-Defined
Update Interval	24 (Hours)

Time Zone: (GMT) Greenwich Mean Time: Dublin, Edinburgh, Lisbon, London

IV-6. Changing Date and Time

1. Go to “Management”.
2. Tap “Date and Time”.
3. Set the correct time and time zone for your AP using the drop down menus. The AP also supports NTP (Network Time Protocol). Alternatively, you can enter the host name or IP address of a time server. Click “Apply” when you are finished.



In our recommendations, please enable NTP to acquire time from the NTP server.

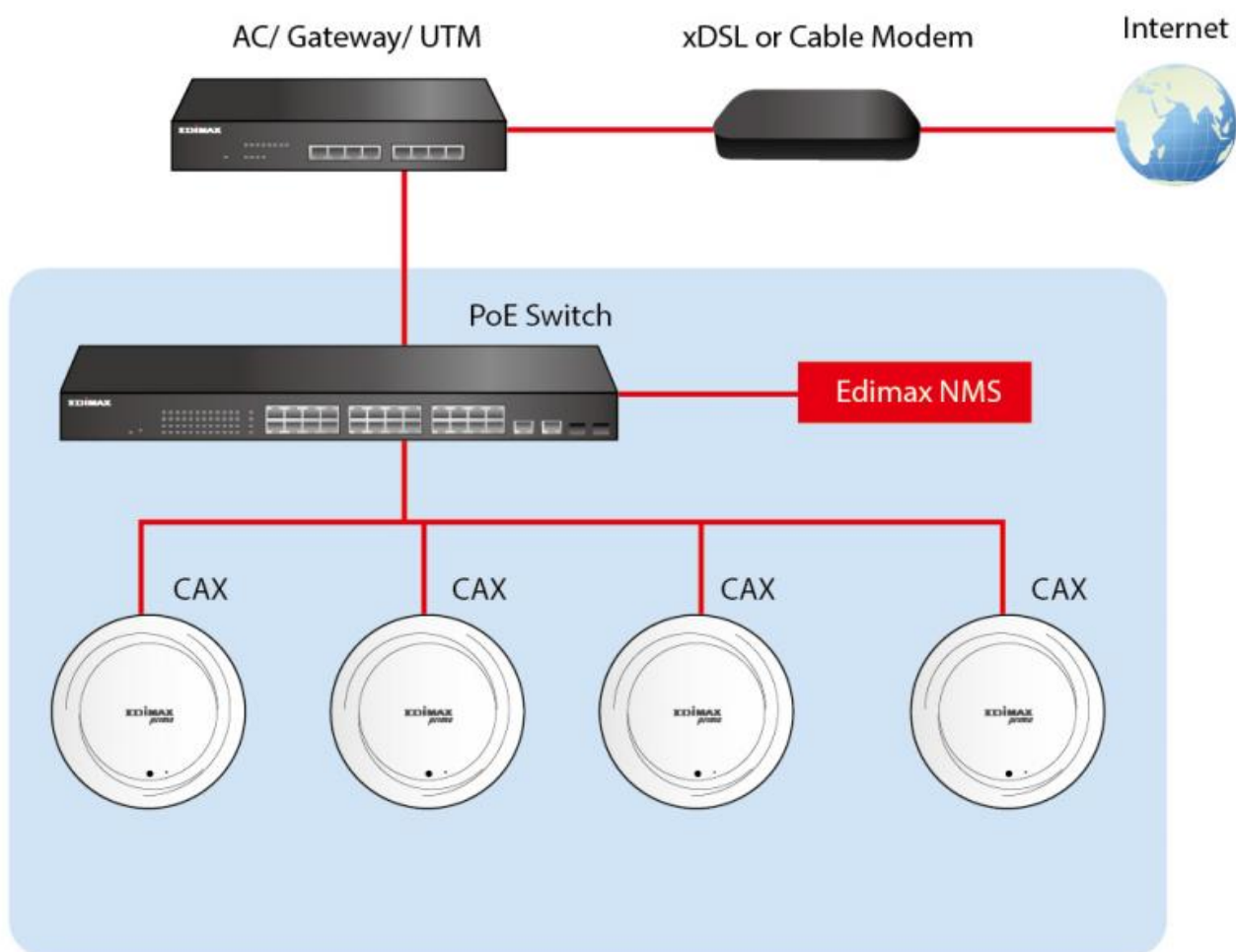
Furthermore, you can use the “Acquire Current Time from Your PC” button if you wish to set the AP to the same time as your PC.

Congrats! The basic settings of your AP are now configured and your AP is up and running!

V. Quick Setup – NMS

Edimax Network Management System (NMS) supports the central management of a group of APs, otherwise known as an AP Array. NMS can be installed on one AP and support up to 16 Edimax APs with no additional wireless controller required, reducing costs and facilitating efficient remote AP management.

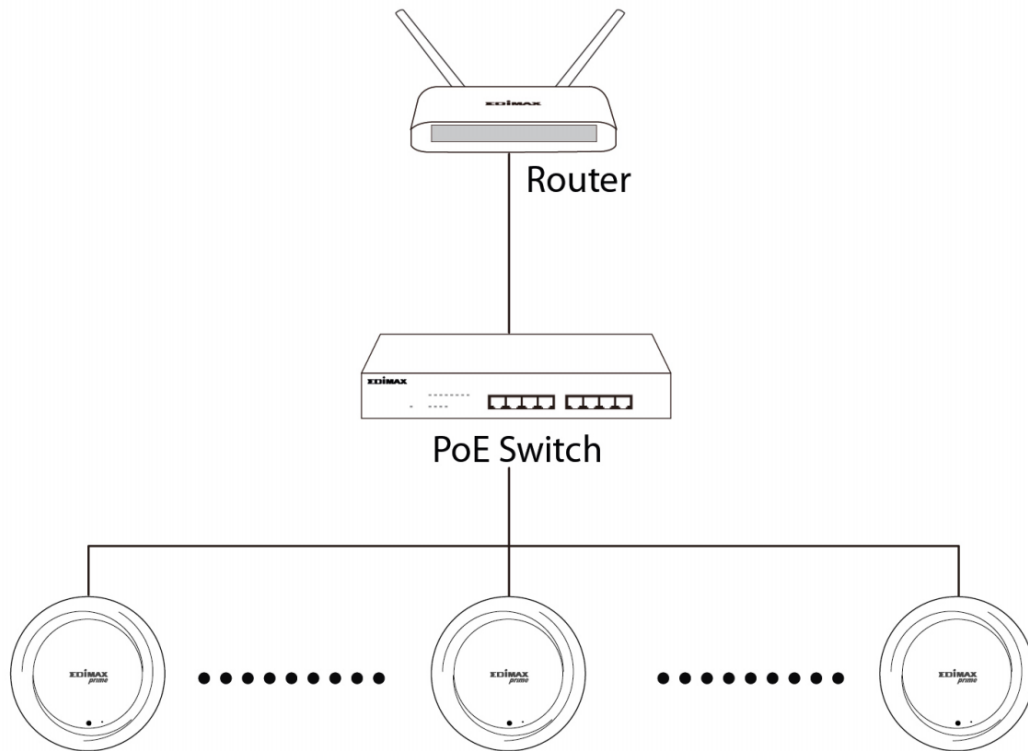
NMS is simple to setup. An overview of the system is shown below:



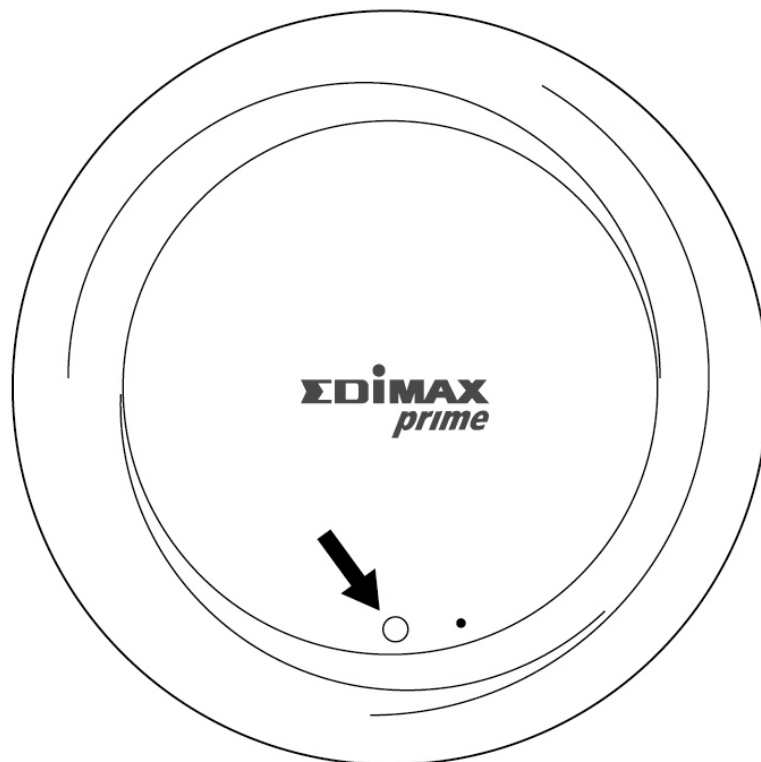
One AP is designated as the AP Controller (master) and other connected Edimax APs are automatically designated as Managed APs (slaves). Using Edimax NMS you can monitor, configure and manage all Managed APs (up to 16) from the single AP Controller.

Please follow the steps below for how to setup:

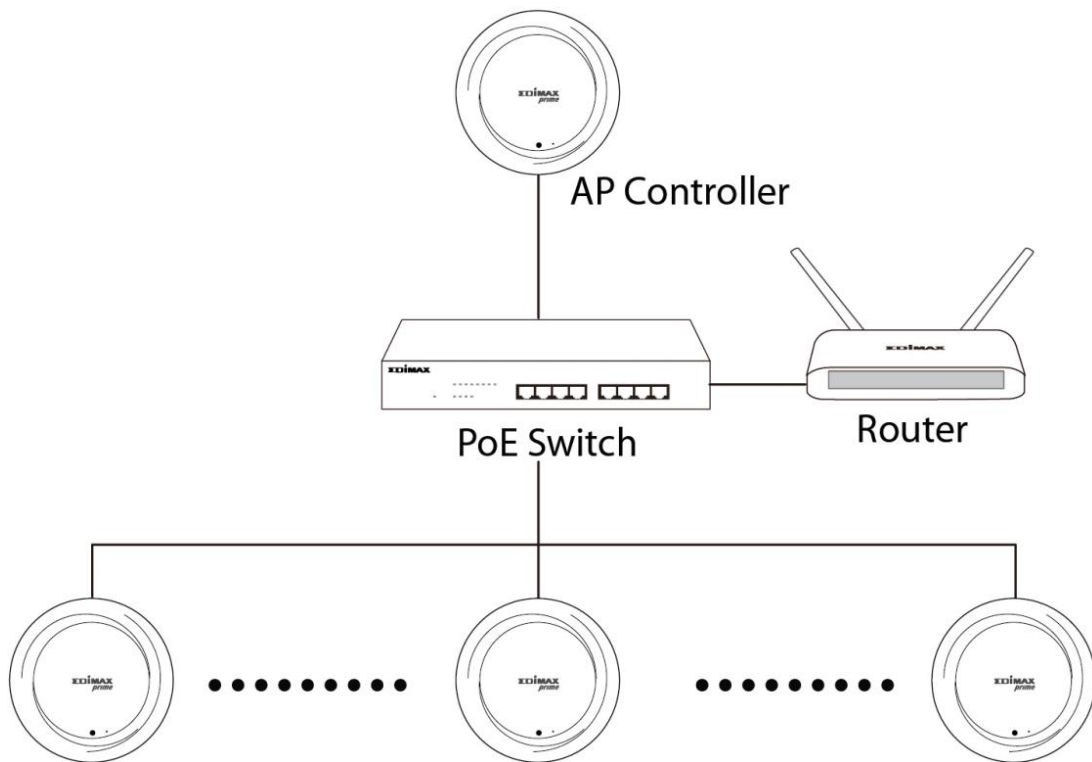
1. Connect all APs to a switch which is connected to a router.



2. Ensure all APs are powered on and check their LEDs.



3. Designate one AP as the AP Controller which will manage all other connected APs (up to 16).

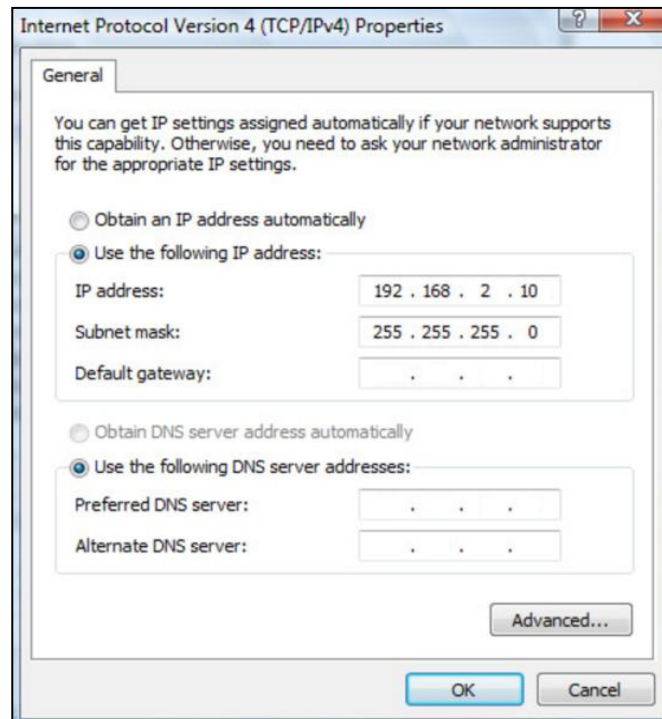


4. Connect a computer to the designated AP Controller using an Ethernet cable.



Ensure you have the latest firmware from the Edimax website for your Edimax Pro products.

5. Open a web browser and enter the AP Controller's IP address in the address field. (The default IP address is 192.168.2.2)



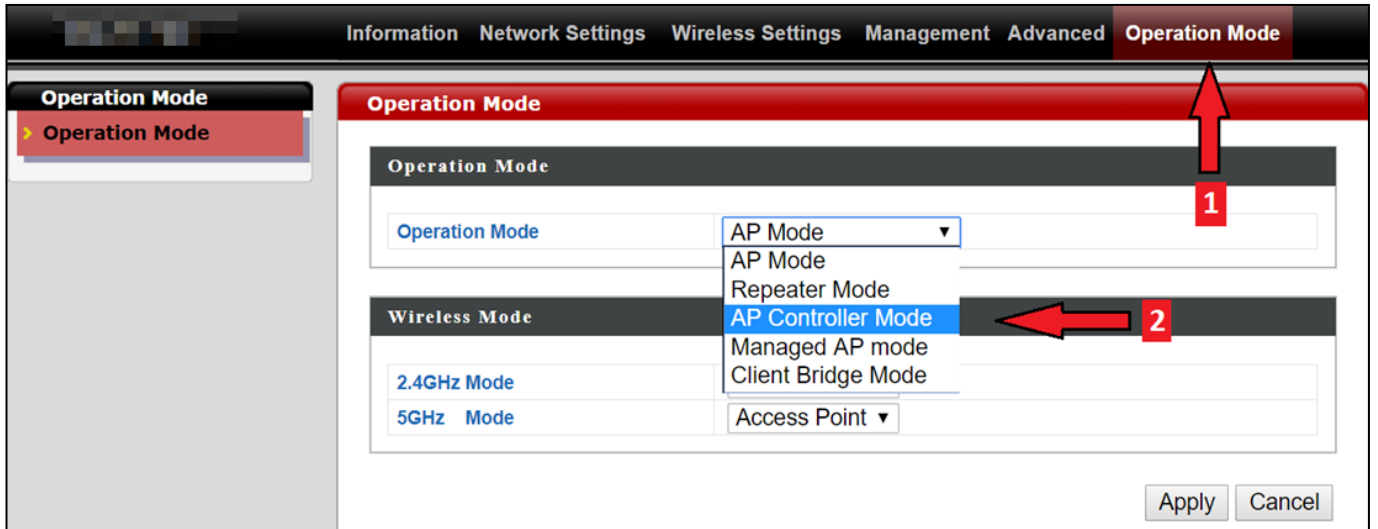
Your computer's IP address must be in the same subnet as the AP Controller. Refer to the user manual for help.



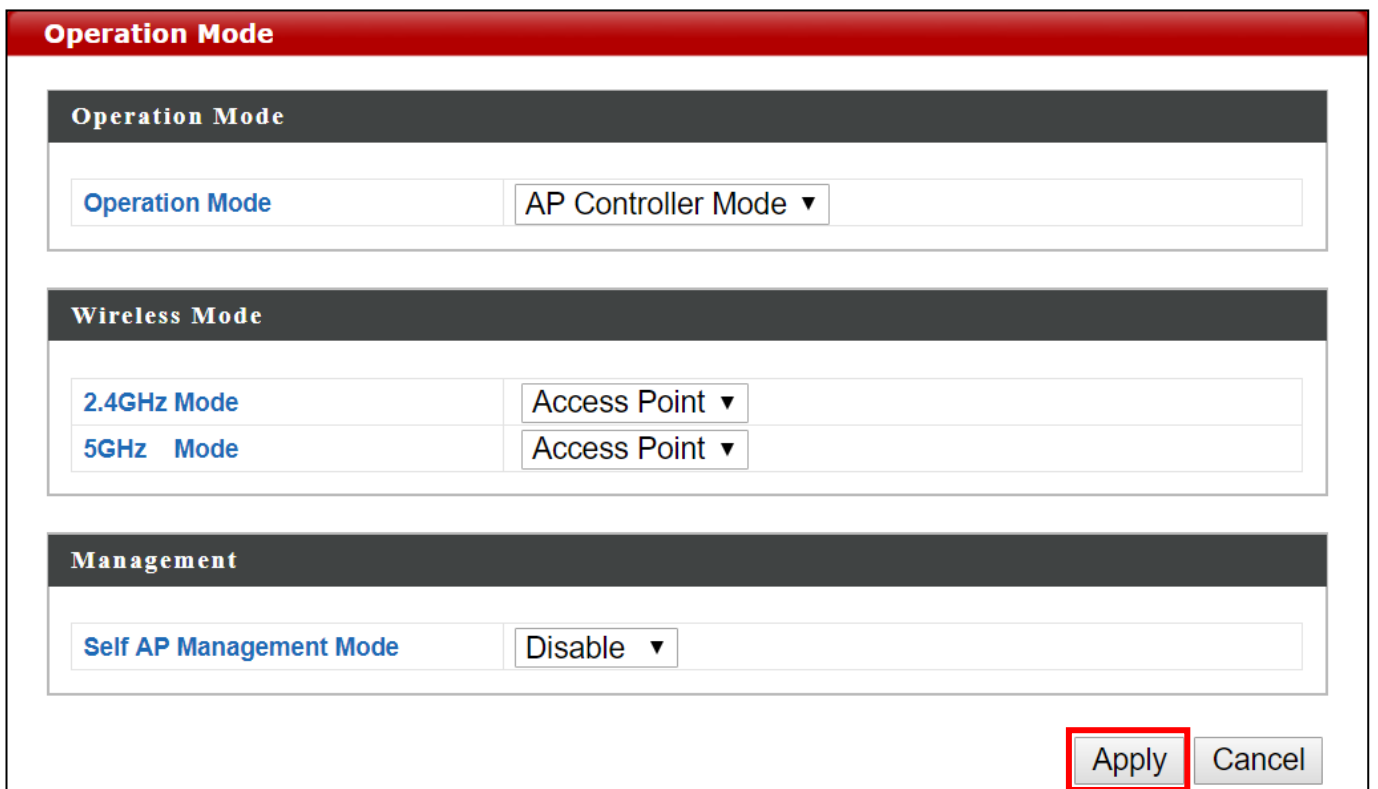
If you changed the AP Controller's IP address, or if your router uses a DHCP server, ensure you enter the correct IP address. Refer to your router's settings.

6. Enter the default Username / Password to login. (admin / 1234)

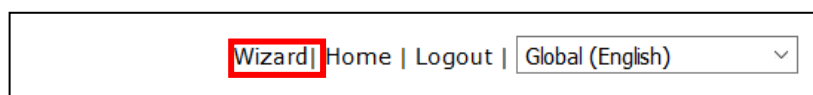
7. You will arrive at the NMS Dashboard. Go to “Management” → “Operation Mode” and select “AP Controller Mode” from the drop down menu.



8. Click “Apply” to save the settings.



9. NMS includes a wizard to quickly setup the SSID & security for Managed APs. Click “Wizard” in the top right corner to begin.



10. Follow the instructions on-screen to complete Steps 1-6 and click “Finish” to save the settings.

Step 1 2 3 4 5 6 Finish

Installation

Before start, please power on the managed APs and plug into the same Ethernet network with this AP Controller.

This Setup Wizard will guide you through a basic procedure to configure AP Controller system.

Next >> Cancel

Step 1 2 **3** 4 5 6 Finish

Local LAN-side IP Address

IP Address Assignment	DHCP Client
IP Address	192.168.2.2
Subnet Mask	255.255.255.0
Default Gateway	From DHCP
Primary DNS Address	From DHCP
Secondary DNS Address	From DHCP

<< Back Next >> Cancel

Step 1 2 3 **4** 5 6 Finish

Date and Time Settings

Local Time: 2012 Year Jan Month 1 Day
 0 Hours 00 Minutes 00 Seconds

Acquire Current Time from Your PC

NTP Time Server

Use NTP Enable
 Auto Daylight Saving Enable
 Server Name: User-Defined
 Update Interval: 24 (Hours)

Time Zone

Time Zone: (GMT+08:00) Taipei, Taiwan

<< Back Next >> Cancel

Step 1 2 3 4 **5** 6 Finish

Account to Manage This Device

Administrator Name: admin
 Administrator Password: (6-32 Characters)
 (Confirm)

<< Back Next >> Cancel

Step 1 2 3 4 5 **6** Finish

Select Free AP(s)

Search: Match whole words

<input type="checkbox"/>	MAC Address	Device Name	Model	IP Address	Status
<input checked="" type="checkbox"/>	74:DA:38:1D:26:4E	AP74DA381D264E	WAP1200	192.168.2.101	<input type="radio"/>

Managed AP(s)

Search: Match whole words

MAC Address	Device Name	Model	IP Address	Status
No Access Point List				

Rescan << Back Next >> Cancel

Step 1 2 3 4 5 6 **6** Finish

2.4GHz Settings

SSID:
 Security Key:

Guest Network Enable Disable

Guest SSID:
 Security Key:

5GHz Settings

Clone 2.4GHz Settings

SSID:
 Security Key:

Guest Network Enable Disable

Guest SSID:
 Security Key:

<< Back Next >> Cancel

Step 1 >> 2 >> 3 >> 4 >> 5 >> 6 >> **Finish**

Confirmation

Management IP

IP Address Assignment: DHCP Client

Date and Time

Local Time: 2012/01/01 00:00:00
 Time Zone: (GMT+08:00) Taipei, Taiwan

Administrator Account

Administrator Name: admin

Managed AP(s)

MAC Address	Device Name	Model	IP Address	Status
74:DA:38:1D:26:4E	AP74DA381D264E	WAP1200	192.168.2.101	<input type="radio"/>

2.4GHz Settings

SSID: [Redacted]
 Security Key: 12345678

5GHz Settings

SSID: [Redacted]
 Security Key: 12345678

<< Back Finish Cancel



If any of your Managed APs cannot be found, reset it to its factory default settings.

11. Your AP Controller & Managed APs should be fully functional. Use the top menu to navigate around Edimax Pro NMS.



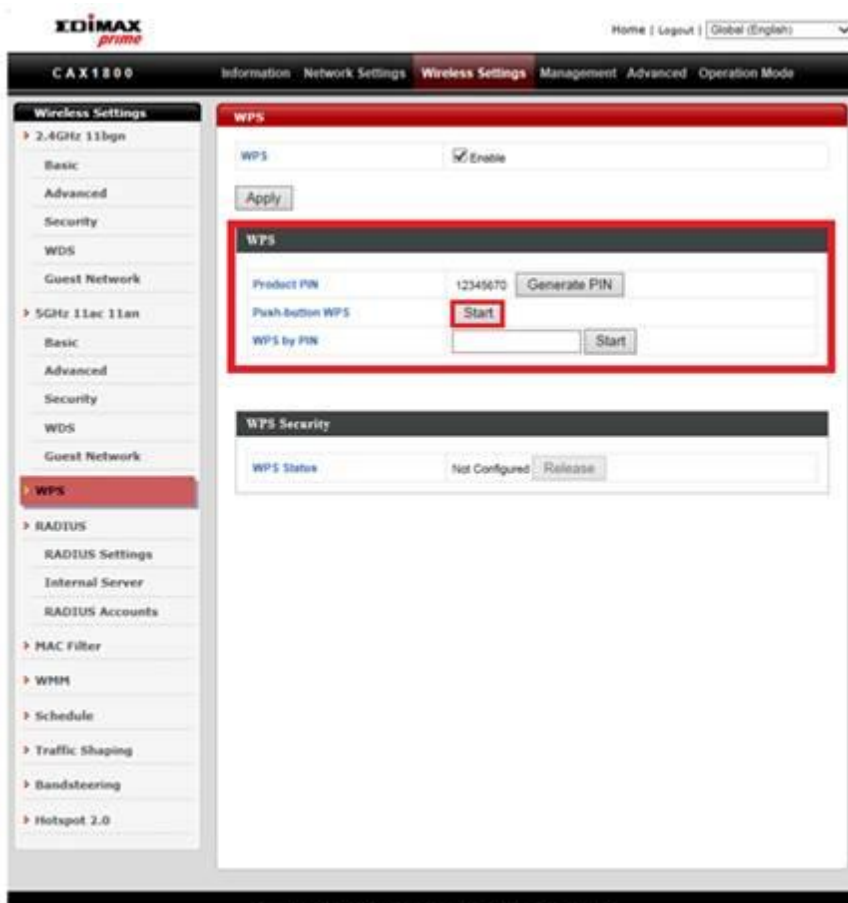
Use Dashboard, Zone Plan, NMS Monitor & NMS Settings to configure Managed APs.

Use Local Network & Local Settings to configure your AP Controller.

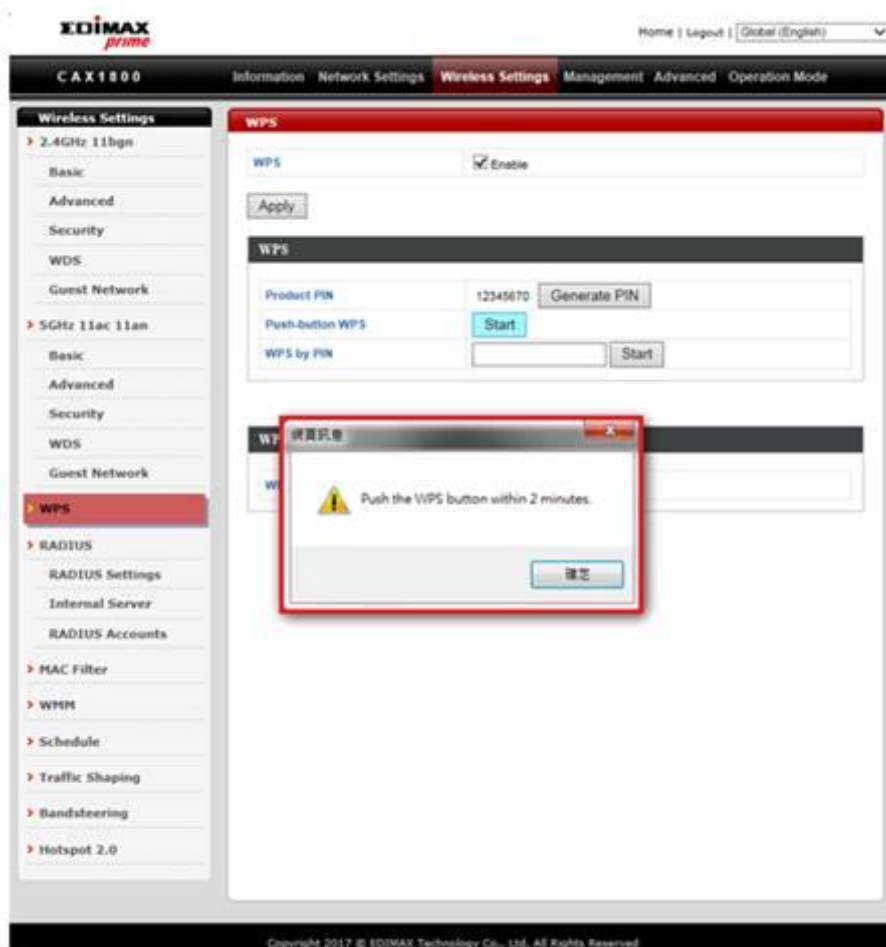
VI. WPS

WPS is a simple way to establish connections between WPS compatible devices. You can use the WPS button on CAX1800 webpage to activate the AP's WPS function.

1. Go to “Wireless Settings”.
2. Tap “WPS”.
3. Check the checkbox of “Enable” and click “Apply” to turn on WPS function.
4. Click Start to establish connections between WPS compatible devices.



5. Within two minutes, press the WPS button to activate WPS on your WPS-compatible wireless device.



VII. Reset

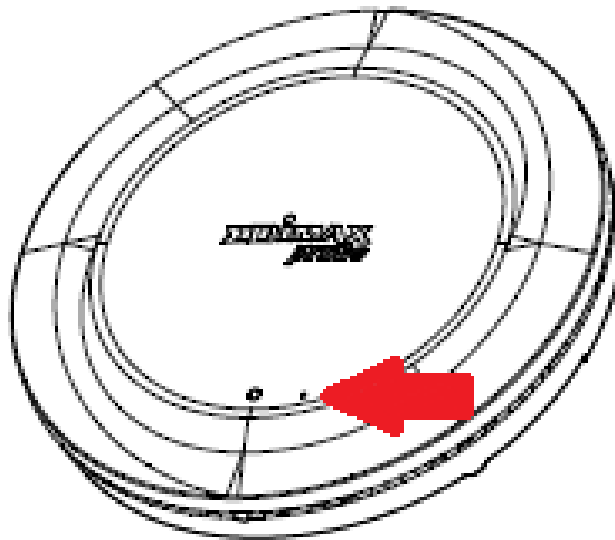
If you experience problems with your AP, you can reset the device back to its factory settings.

1. Press and hold the reset button on the AP for at least 10 seconds then release the button.



You may need to use a pin or similar sharp object to push the reset button.

2. Wait for the AP to restart. The AP is ready for setup when the LED is **Blue**.



COPYRIGHT

Copyright © Edimax Technology Co., Ltd. all rights reserved. No part of this publication may be reproduced, transmitted, transcribed, stored in a retrieval system, or translated into any language or computer language, in any form or by any means, electronic, mechanical, magnetic, optical, chemical, manual or otherwise, without the prior written permission from Edimax Technology Co., Ltd.

Edimax Technology Co., Ltd. makes no representations or warranties, either expressed or implied, with respect to the contents hereof and specifically disclaims any warranties, merchantability, or fitness for any particular purpose. Any software described in this manual is sold or licensed as is. Should the programs prove defective following their purchase, the buyer (and not this company, its distributor, or its dealer) assumes the entire cost of all necessary servicing, repair, and any incidental or consequential damages resulting from any defect in the software. Edimax Technology Co., Ltd. reserves the right to revise this publication and to make changes from time to time in the contents hereof without the obligation to notify any person of such revision or changes.

The product you have purchased and the setup screen may appear slightly different from those shown in this QIG. The software and specifications are subject to change without notice. Please visit our website www.edimax.com for updates. All brand and product names mentioned in this manual are trademarks and/or registered trademarks of their respective holders.

	AT	BE	BG	HR	CY	CZ	DK
	EE	FI	FR	DE	EL	HU	IE
	IT	LV	LT	LU	MT	NL	PL
	PT	RO	SK	SI	ES	SE	UK

The device is restricted to indoor use only when operating in the 5150 to 5350 MHz frequency range.

Federal Communication Commission Interference Statement

This equipment has been tested and found to comply with the limits for a Class B digital device, pursuant to Part 15 of FCC Rules. These limits are designed to provide reasonable protection against harmful interference in a residential installation. This equipment generates, uses, and can radiate radio frequency energy and, if not installed and used in accordance with the instructions, may cause harmful interference to radio communications. However, there is no guarantee that interference will not occur in a particular installation. If this equipment does cause harmful interference to radio or television reception, which can be determined by turning the equipment off and on, the user is encouraged to try to correct the interference by one or more of the following measures:

1. Reorient or relocate the receiving antenna.
2. Increase the separation between the equipment and receiver.
3. Connect the equipment into an outlet on a circuit different from that to which the receiver is connected.
4. Consult the dealer or an experienced radio technician for help.

FCC Caution

Any changes or modifications not expressly approved by the party responsible for compliance could void the user's authority to operate equipment.

This device complies with Part 15 of the FCC Rules. Operation is subject to the following two conditions: (1) this device may not cause harmful interference, and (2) this device must accept any interference received, including interference that may cause undesired operation.

For product available in the USA/Canada market, only channel 1~11 can be operated. Selection of other channels is not possible.

This device is restricted to indoor use.

Federal Radiation Exposure Statement

1. This Transmitter must not be co-located or operating in conjunction with any other antenna or transmitter.
2. This equipment complies with FCC RF radiation exposure limits set forth for an uncontrolled environment. This equipment should be installed and operated with a minimum distance of 20 centimeters between the radiator and your body or nearby persons.

This device is restricted to indoor use.

RED Compliance Statement

Compliance with 2014/53/EU Radio Equipment Directive (RED)

In accordance with Article 10.8(a) and 10.8(b) of the RED, the following table provides information on the frequency bands used and the maximum RF transmit power of the product for sale in the EU:

Frequency range (MHz)	Max. Transmit Power (dBm)
2400-2483.5	19.95
5150-5250	22.84

A simplified DoC shall be provided as follows: Article 10(9)

Hereby, Edimax Technology Co., Ltd. declares that the radio equipment type **AX1800 Dual-Band Ceiling Mount PoE AP** is in compliance with Directive 2014/53/EU

The full text of the EU declaration of conformity is available at the following internet address: <http://www.edimax.com/edimax/global/>

This equipment complies with EU radiation exposure limits set forth for an uncontrolled environment. This equipment should be installed and operated with minimum distance 20cm between the radiator & your body.

Safety

This equipment is designed with the utmost care for the safety of those who install and use it. However, special attention must be paid to the dangers of electric shock and static electricity when working with electrical equipment. All guidelines of this and of the computer manufacture must therefore be allowed at all times to ensure the safe use of the equipment.

EU Countries Intended for Use

The ETSI version of this device is intended for home and office use in Austria, Belgium, Bulgaria, Cyprus, Czech, Denmark, Estonia, Finland, France, Germany, Greece, Hungary, Ireland, Italy, Latvia, Lithuania, Luxembourg, Malta, Netherlands, Poland, Portugal, Romania, Slovakia, Slovenia, Spain, Sweden, Turkey, and United Kingdom. The ETSI version of this device is also authorized for use in EFTA member states: Iceland, Liechtenstein, Norway, and Switzerland.

EU Countries Not Intended for Use

None

EU Declaration of Conformity

- English:** This equipment is in compliance with the essential requirements and other relevant provisions of Directive 2014/53/EU, 2014/35/EU.
- Français:** Cet équipement est conforme aux exigences essentielles et autres dispositions de la directive 2014/53/EU, 2014/35/EU.
- Čeština:** Toto zařízení je v souladu se základními požadavky a ostatními příslušnými ustanoveními směrnic 2014/53/EU, 2014/35/EU.
- Polski:** Urządzenie jest zgodne z ogólnymi wymaganiami oraz szczególnymi warunkami określonymi Dyrektywą UE 2014/53/EU, 2014/35/EU.
- Română:** Acest echipament este în conformitate cu cerințele esențiale și alte prevederi relevante ale Directivei 2014/53/UE, 2014/35/UE.
- Русский:** Это оборудование соответствует основным требованиям и положениям Директивы 2014/53/EU, 2014/35/EU.
- Magyar:** Ez a berendezés megfelel az alapvető követelményeknek és más vonatkozó irányelveknek (2014/53/EU, 2014/35/EU).
- Türkçe:** Bu cihaz 2014/53/EU, 2014/35/EU direktifleri zorunlu istekler ve diğer hükümlerle ile uyumludur.
- Українська:** Обладнання відповідає вимогам і умовам директиви 2014/53/EU, 2014/35/EU.
- Slovenčina:** Toto zariadenie spĺňa základné požiadavky a ďalšie príslušné ustanovenia smerníc 2014/53/EU, 2014/35/EU.
- Deutsch:** Dieses Gerät erfüllt die Voraussetzungen gemäß den Richtlinien 2014/53/EU, 2014/35/EU.
- Español:** El presente equipo cumple los requisitos esenciales de la Directiva 2014/53/EU, 2014/35/EU.
- Italiano:** Questo apparecchio è conforme ai requisiti essenziali e alle altre disposizioni applicabili della Direttiva 2014/53/EU, 2014/35/UE.
- Nederlands:** Dit apparaat voldoet aan de essentiële eisen en andere van toepassing zijnde bepalingen van richtlijn 2014/53/EU, 2014/35/EU.
- Português:** Este equipamento cumpre os requisitos essenciais da Directiva 2014/53/EU, 2014/35/EU.
- Norsk:** Dette utstyret er i samsvar med de viktigste kravene og andre relevante regler i Direktiv 2014/53/EU, 2014/35/EU.
- Svenska:** Denna utrustning är i överensstämmelse med de väsentliga kraven och övriga relevanta bestämmelser i direktiv 2014/53/EU, 2014/35/EU.
- Dansk:** Dette udstyr er i overensstemmelse med de væsentligste krav og andre relevante forordninger i direktiv 2014/53/EU, 2014/35/EU.
- suomen kieli:** Tämä laite täyttää direktiivien 2014/53/EU, 2014/35/EU. oleelliset vaatimukset ja muut asiaankuuluvat määräykset.

FOR USE IN 



WEEE Directive & Product Disposal



At the end of its serviceable life, this product should not be treated as household or general waste. It should be handed over to the applicable collection point for the recycling of electrical and electronic equipment, or returned to the supplier for disposal.

Declaration of Conformity

We, Edimax Technology Co., Ltd., declare under our sole responsibility, that the equipment described below complies with the requirements of the European Radio Equipment Directive.

Equipment: AX1800 Dual-Band Ceiling Mount PoE AP
Model No.: CAX1800

The following European standards for essential requirements have been followed:

Directives 2014/53/EU

Spectrum : EN 300 328 V2.1.1 (2016-11)
EN 301 893 V2.1.1 (2017-05)
EMC : EN 301 489-1 V2.2.0 (2017-03)
EN 301 489-17 V3.2.0 (2017-03)
EN 55032:2015/AC:2016 Class B
EN 61000-3-2:2014
EN 61000-3-3:2013
EN 55035:2017
EMF : EN 62311:2008 and EN 50665:2017
Safety (LVD) : IEC 62368-1:2014 (2nd Edition) and/or EN 62368-1:2014+A11:2017

Edimax Technology Europe B.V.
Fijenhof 2,
5652 AE Eindhoven,
The Netherlands

a company of :
Edimax Technology Co., Ltd.
No. 278, Xinhu 1st Rd.,
Neihu Dist., Taipei City,
Taiwan

Signature:

Printed Name: David Huang
Title: Director



Date of Signature: Nov., 2019

Signature:

Printed Name:

Albert Chang

Title:

Director

Edimax Technology Co., Ltd.

Notice According to GNU General Public License Version 2

This product includes software that is subject to the GNU General Public License version 2. The program is free software and distributed without any warranty of the author. We offer, valid for at least three years, to give you, for a charge no more than the costs of physically performing source distribution, a complete machine-readable copy of the corresponding source code.

Das Produkt beinhaltet Software, die den Bedingungen der GNU/GPL-Version 2 unterliegt. Das Programm ist eine sog. „Free Software“, der Autor stellt das Programm ohne irgendeine Gewährleistungen zur Verfügung. Wir bieten Ihnen für einen Zeitraum von drei Jahren an, eine vollständige maschinenlesbare Kopie des Quelltextes der Programme zur Verfügung zu stellen – zu nicht höheren Kosten als denen, die durch den physikalischen Kopiervorgang anfallen.

GNU GENERAL PUBLIC LICENSE Version 2, June 1991

Copyright (C) 1989, 1991 Free Software Foundation, Inc. 51 Franklin Street, Fifth Floor, Boston, MA 02110-1301, USA
Everyone is permitted to copy and distribute verbatim copies of this license document, but changing it is not allowed.

Preamble

The licenses for most software are designed to take away your freedom to share and change it. By contrast, the GNU General Public License is intended to guarantee your freedom to share and change free software--to make sure the software is free for all its users. This General Public License applies to most of the Free Software Foundation's software and to any other program whose authors commit to using it. (Some other Free Software Foundation software is covered by the GNU Lesser General Public License instead.) You can apply it to your programs, too.

When we speak of free software, we are referring to freedom, not price. Our General Public Licenses are designed to make sure that you have the freedom to distribute copies of free software (and charge for this service if you wish), that you receive source code or can get it if you want it, that you can change the software or use pieces of it in new free programs; and that you know you can do these things.

To protect your rights, we need to make restrictions that forbid anyone to deny you these rights or to ask you to surrender the rights. These restrictions translate to certain responsibilities for you if you distribute copies of the software, or if you modify it.

For example, if you distribute copies of such a program, whether gratis or for a fee, you must give the recipients all the rights that you have. You must make sure that they, too, receive or can get the source code. And you must show them these terms so they know their rights.

We protect your rights with two steps: (1) copyright the software, and (2) offer you this license which gives you legal permission to copy, distribute and/or modify the software.

Also, for each author's protection and ours, we want to make certain that everyone understands that there is no warranty for this free software. If the software is modified by someone else and passed on, we want its recipients to know that what they have is not the original, so that any problems introduced by others will not reflect on the original authors' reputations.

Finally, any free program is threatened constantly by software patents. We wish to avoid the danger that redistributors of a free program will individually obtain patent licenses, in effect making the program proprietary. To prevent this, we have made it clear that any patent must be licensed for everyone's free use or not licensed at all.

The precise terms and conditions for copying, distribution and modification follow.

TERMS AND CONDITIONS FOR COPYING, DISTRIBUTION AND MODIFICATION

0. This License applies to any program or other work which contains a notice placed by the copyright holder saying it may be distributed under the terms of this General Public License. The "Program", below, refers to any such program or work, and a "work based on the Program" means either the Program or any derivative work under copyright law: that is to say, a work containing the Program or a portion of it, either verbatim or with modifications and/or translated into another language. (Hereinafter, translation is included without limitation in the term "modification".) Each licensee is addressed as "you".

Activities other than copying, distribution and modification are not covered by this License; they are outside its scope. The act of running the Program is not restricted, and the output from the Program is covered only if its contents constitute a work based on the Program (independent of having been made by running the Program). Whether that is true depends on what the Program does.

1. You may copy and distribute verbatim copies of the Program's source code as you receive it, in any medium, provided that you conspicuously and appropriately publish on each copy an appropriate copyright notice and disclaimer of warranty; keep

intact all the notices that refer to this License and to the absence of any warranty; and give any other recipients of the Program a copy of this License along with the Program.

You may charge a fee for the physical act of transferring a copy, and you may at your option offer warranty protection in exchange for a fee.

2. You may modify your copy or copies of the Program or any portion of it, thus forming a work based on the Program, and copy and distribute such modifications or work under the terms of Section 1 above, provided that you also meet all of these conditions:

- a) You must cause the modified files to carry prominent notices stating that you changed the files and the date of any change.
- b) You must cause any work that you distribute or publish, that in whole or in part contains or is derived from the Program or any part thereof, to be licensed as a whole at no charge to all third parties under the terms of this License.
- c) If the modified program normally reads commands interactively when run, you must cause it, when started running for such interactive use in the most ordinary way, to print or display an announcement including an appropriate copyright notice and a notice that there is no warranty (or else, saying that you provide a warranty) and that users may redistribute the program under these conditions, and telling the user how to view a copy of this License. (Exception: if the Program itself is interactive but does not normally print such an announcement, your work based on the Program is not required to print an announcement.)

These requirements apply to the modified work as a whole. If identifiable sections of that work are not derived from the Program, and can be reasonably considered independent and separate works in themselves, then this License, and its terms, do not apply to those sections when you distribute them as separate works. But when you distribute the same sections as part of a whole which is a work based on the Program, the distribution of the whole must be on the terms of this License, whose permissions for other licensees extend to the entire whole, and thus to each and every part regardless of who wrote it.

Thus, it is not the intent of this section to claim rights or contest your rights to work written entirely by you; rather, the intent is to exercise the right to control the distribution of derivative or collective works based on the Program.

In addition, mere aggregation of another work not based on the Program with the Program (or with a work based on the Program) on a volume of a storage or distribution medium does not bring the other work under the scope of this License.

3. You may copy and distribute the Program (or a work based on it, under Section 2) in object code or executable form under the terms of Sections 1 and 2 above provided that you also do one of the following:

- a) Accompany it with the complete corresponding machine-readable source code, which must be distributed under the terms of Sections 1 and 2 above on a medium customarily used for software interchange; or,
- b) Accompany it with a written offer, valid for at least three years, to give any third party, for a charge no more than your cost of physically performing source distribution, a complete machine-readable copy of the corresponding source code, to be distributed under the terms of Sections 1 and 2 above on a medium customarily used for software interchange; or,
- c) Accompany it with the information you received as to the offer to distribute corresponding source code. (This alternative is allowed only for noncommercial distribution and only if you received the program in object code or executable form with such an offer, in accord with Subsection b above.)

The source code for a work means the preferred form of the work for making modifications to it. For an executable work, complete source code means all the source code for all modules it contains, plus any associated interface definition files, plus the scripts used to control compilation and installation of the executable. However, as a special exception, the source code distributed need not include anything that is normally distributed (in either source or binary form) with the major components (compiler, kernel, and so on) of the operating system on which the executable runs, unless that component itself accompanies the executable.

If distribution of executable or object code is made by offering access to copy from a designated place, then offering equivalent access to copy the source code from the same place counts as distribution of the source code, even though third parties are not compelled to copy the source along with the object code.

4. You may not copy, modify, sublicense, or distribute the Program except as expressly provided under this License. Any attempt otherwise to copy, modify, sublicense or distribute the Program is void, and will automatically terminate your rights under this License. However, parties who have received copies, or rights, from you under this License will not have their licenses terminated so long as such parties remain in full compliance.

5. You are not required to accept this License, since you have not signed it. However, nothing else grants you permission to modify or distribute the Program or its derivative works. These actions are prohibited by law if you do not accept this License.

Therefore, by modifying or distributing the Program (or any work based on the Program), you indicate your acceptance of this License to do so, and all its terms and conditions for copying, distributing or modifying the Program or works based on it.

6. Each time you redistribute the Program (or any work based on the Program), the recipient automatically receives a license from the original licensor to copy, distribute or modify the Program subject to these terms and conditions. You may not impose any further restrictions on the recipients' exercise of the rights granted herein. You are not responsible for enforcing compliance by third parties to this License.

7. If, as a consequence of a court judgment or allegation of patent infringement or for any other reason (not limited to patent issues), conditions are imposed on you (whether by court order, agreement or otherwise) that contradict the conditions of this License, they do not excuse you from the conditions of this License. If you cannot distribute so as to satisfy simultaneously your obligations under this License and any other pertinent obligations, then as a consequence you may not distribute the Program at all. For example, if a patent license would not permit royalty-free redistribution of the Program by all those who receive copies directly or indirectly through you, then the only way you could satisfy both it and this License would be to refrain entirely from distribution of the Program.

If any portion of this section is held invalid or unenforceable under any particular circumstance, the balance of the section is intended to apply and the section as a whole is intended to apply in other circumstances.

It is not the purpose of this section to induce you to infringe any patents or other property right claims or to contest validity of any such claims; this section has the sole purpose of protecting the integrity of the free software distribution system, which is implemented by public license practices. Many people have made generous contributions to the wide range of software distributed through that system in reliance on consistent application of that system; it is up to the author/donor to decide if he or she is willing to distribute software through any other system and a licensee cannot impose that choice.

This section is intended to make thoroughly clear what is believed to be a consequence of the rest of this License.

8. If the distribution and/or use of the Program is restricted in certain countries either by patents or by copyrighted interfaces, the original copyright holder who places the Program under this License may add an explicit geographical distribution limitation excluding those countries, so that distribution is permitted only in or among countries not thus excluded. In such case, this License incorporates the limitation as if written in the body of this License.

9. The Free Software Foundation may publish revised and/or new versions of the General Public License from time to time. Such new versions will be similar in spirit to the present version, but may differ in detail to address new problems or concerns.

Each version is given a distinguishing version number. If the Program specifies a version number of this License which applies to it and "any later version", you have the option of following the terms and conditions either of that version or of any later version published by the Free Software Foundation. If the Program does not specify a version number of this License, you may choose any version ever published by the Free Software Foundation.

10. If you wish to incorporate parts of the Program into other free programs whose distribution conditions are different, write to the author to ask for permission. For software which is copyrighted by the Free Software Foundation, write to the Free Software Foundation; we sometimes make exceptions for this. Our decision will be guided by the two goals of preserving the free status of all derivatives of our free software and of promoting the sharing and reuse of software generally.

NO WARRANTY

11. BECAUSE THE PROGRAM IS LICENSED FREE OF CHARGE, THERE IS NO WARRANTY FOR THE PROGRAM, TO THE EXTENT PERMITTED BY APPLICABLE LAW. EXCEPT WHEN OTHERWISE STATED IN WRITING THE COPYRIGHT HOLDERS AND/OR OTHER PARTIES PROVIDE THE PROGRAM "AS IS" WITHOUT WARRANTY OF ANY KIND, EITHER EXPRESSED OR IMPLIED, INCLUDING, BUT NOT LIMITED TO, THE IMPLIED WARRANTIES OF MERCHANTABILITY AND FITNESS FOR A PARTICULAR PURPOSE. THE ENTIRE RISK AS TO THE QUALITY AND PERFORMANCE OF THE PROGRAM IS WITH YOU. SHOULD THE PROGRAM PROVE DEFECTIVE, YOU ASSUME THE COST OF ALL NECESSARY SERVICING, REPAIR OR CORRECTION.

12. IN NO EVENT UNLESS REQUIRED BY APPLICABLE LAW OR AGREED TO IN WRITING WILL ANY COPYRIGHT HOLDER, OR ANY OTHER PARTY WHO MAY MODIFY AND/OR REDISTRIBUTE THE PROGRAM AS PERMITTED ABOVE, BE LIABLE TO YOU FOR DAMAGES, INCLUDING ANY GENERAL, SPECIAL, INCIDENTAL OR CONSEQUENTIAL DAMAGES ARISING OUT OF THE USE OR INABILITY TO USE THE PROGRAM (INCLUDING BUT NOT LIMITED TO LOSS OF DATA OR DATA BEING RENDERED INACCURATE OR LOSSES SUSTAINED BY YOU OR THIRD PARTIES OR A FAILURE OF THE PROGRAM TO OPERATE WITH ANY OTHER PROGRAMS), EVEN IF SUCH HOLDER OR OTHER PARTY HAS BEEN ADVISED OF THE POSSIBILITY OF SUCH DAMAGES