

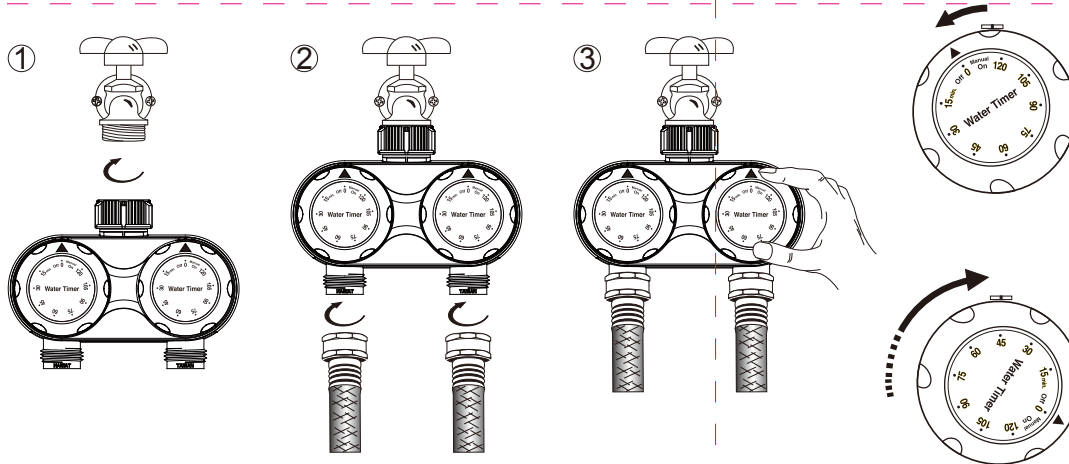
WATER TIMER

Installation

Step 1. Secure the water timer to the faucet.

Step 2. Connect the hose fitting to the male adapter of water timer.

Now you are ready to set your desired watering time, whether using manual override or timer mechanism.



Manual Operation:

Rotate dial anti-clockwise to water manually.

Setting the Timer:

Rotate the dial clockwise to set watering duration. The dial can be adjusted back-wards without harming the mechanism . Example shows the timer set to 45 minutes.