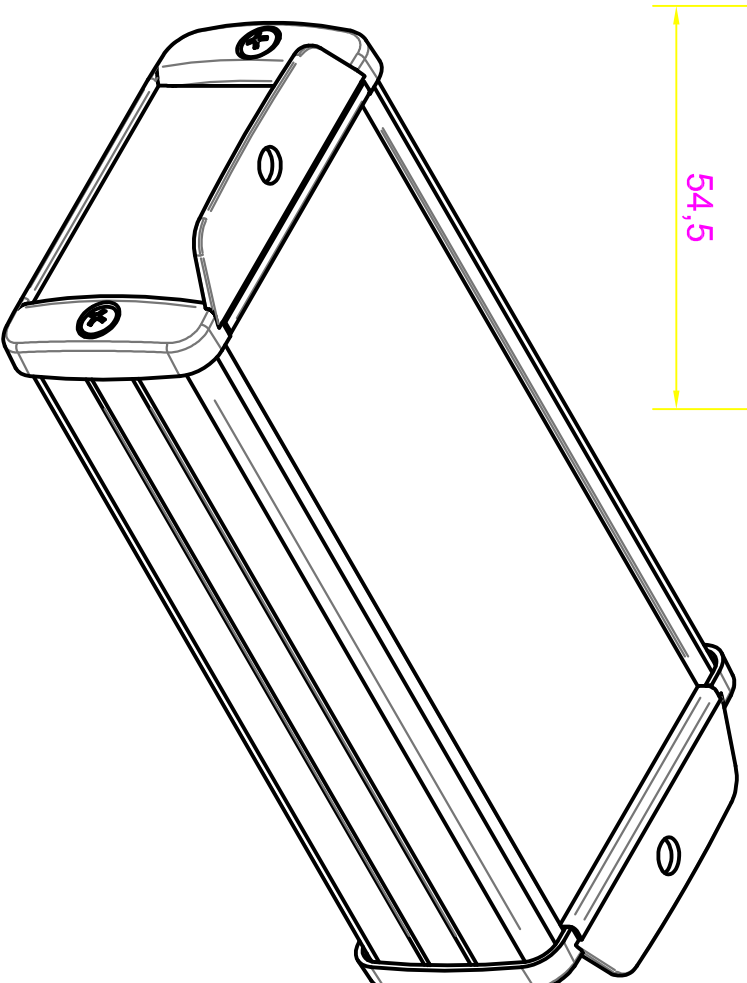
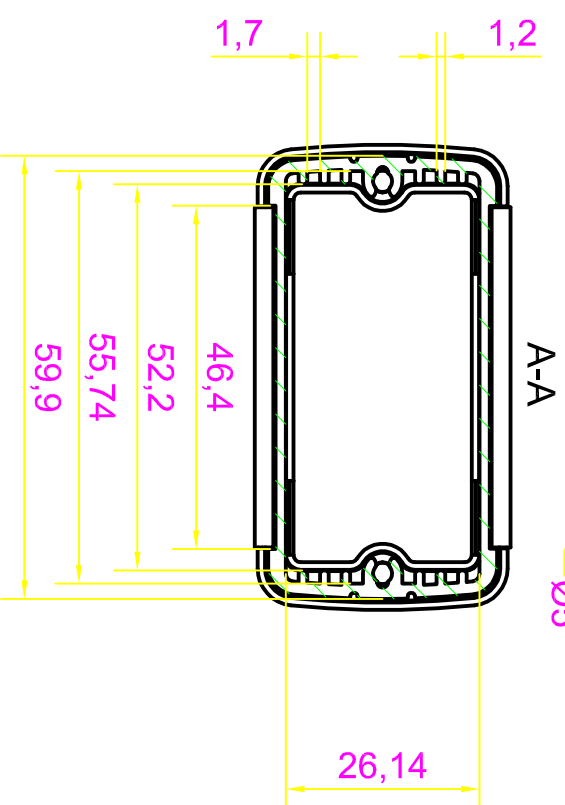



MAXIMUM PCB SIZE



 <b>ENCLOSURES</b>	<small>Denomination</small> <b>Assembly TEKAM-13/E</b>		<small>Part Number</small> <b>TEKAM-13/E</b>	
	<small>Subject to technical modification without prior notice.          Tipographical and other errors do not justify any claim for damages.          All dimensions should be verified using an actual moulded part.</small>		<small>Rev. Index</small> 	<small>Scale</small> <b>1:1</b>
<small>This document contains proprietary information of <b>TEKO S.p.a.</b> and is rendered subject to the conditions that the information be retained in confidence not be reproduced or copied and not be used or incorporated in any product.</small>		<small>Date</small> 01/09/2007	<small>Format design</small> <b>A3</b>	