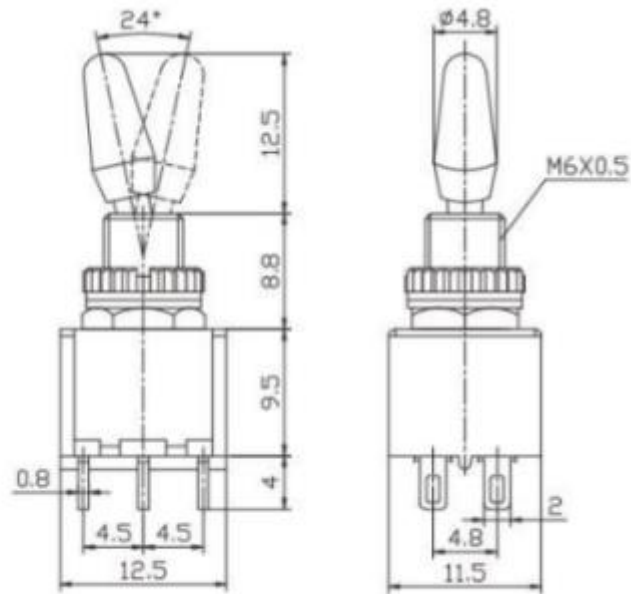
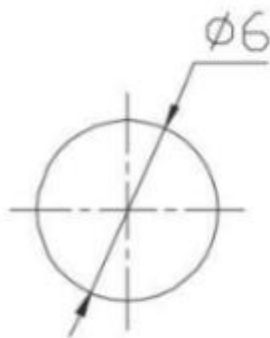


Data Sheet

KNX 2 Toggle switch 250 V AC 2 A 2 x On/On

Diagram ON ON



Technical data

Toggle length: 11.3 mm

Connection: 6pcs Solder pins

Function: ON-ON

Max load: 250V/2A

Color: Green

Cap Color: White

Operation temperature: -10°C ~ +80°C

Storage temperature: -40°C ~ +80°C