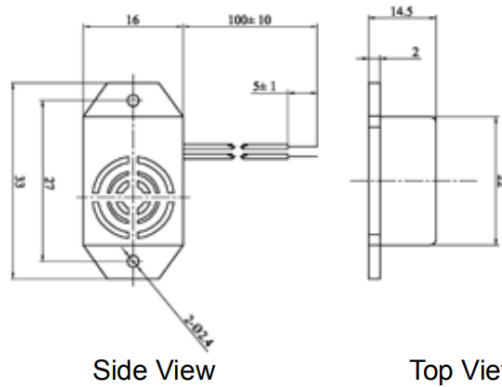


Data Sheet

MECHANICAL BUZZER



all dimensions are in mm

Technical data

Specifications:

| | |
|--------------------------|-------------------|
| Rated voltage | 3VDC |
| Operating voltage | 2V-4VDC |
| Max Rated current | 25mA at 3VDC |
| Min Sound Pressure Level | 75dB at 3VDC/20cm |
| Resonant Frequency | 400±100Hz |
| Operating temperature | -20°C to +60°C |
| Storage Temperature | -30°C to +70°C |
| Housing material | ABS |
| Weight | 10g |