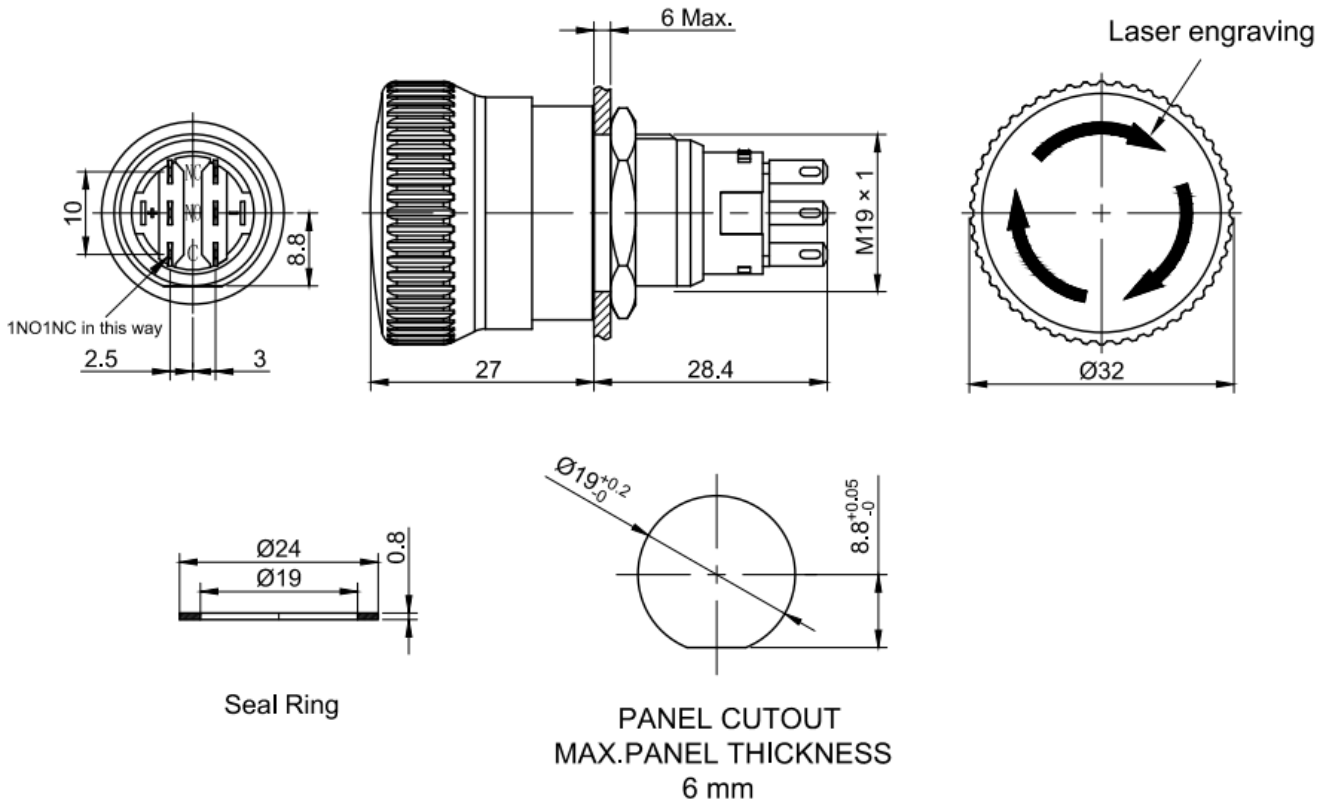


Data Sheet

Emergency switch

Version 08/20



Specification

Mounting diameter	19mm
Operation type	Push on turn reset
Contact structure	1NO1NC
Switch rating	250VAC/3A
Terminal	Soldering Pins
Body material	Al alloy
Operating and storage temperature	-25 to +55 °C
Operating and storage humidity	45 to 85 % RH
Base material	PBT
IP rating	IP65