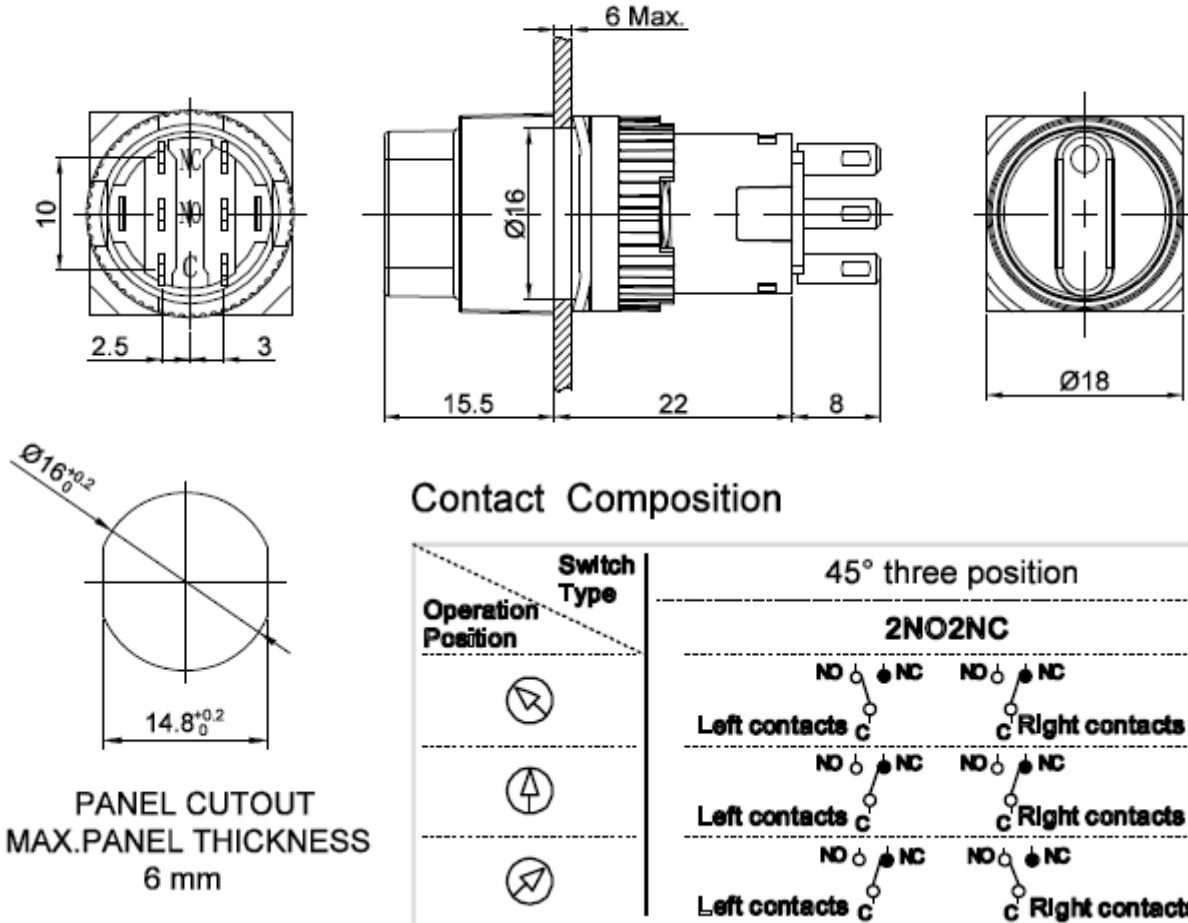


Data Sheet

Push button switch

Version 08/20



Specification

Mounting diameter	16mm
Head shape	round head
Operation type	Three positions maintain
Contact structure	2NO2NC
Switch rating	3A/250VAC
Terminal	Soldering Pins
Operating and storage temperature	-25 to +55 °C
Operating and storage humidity	45 to 85 % RH
IP rating	IP65