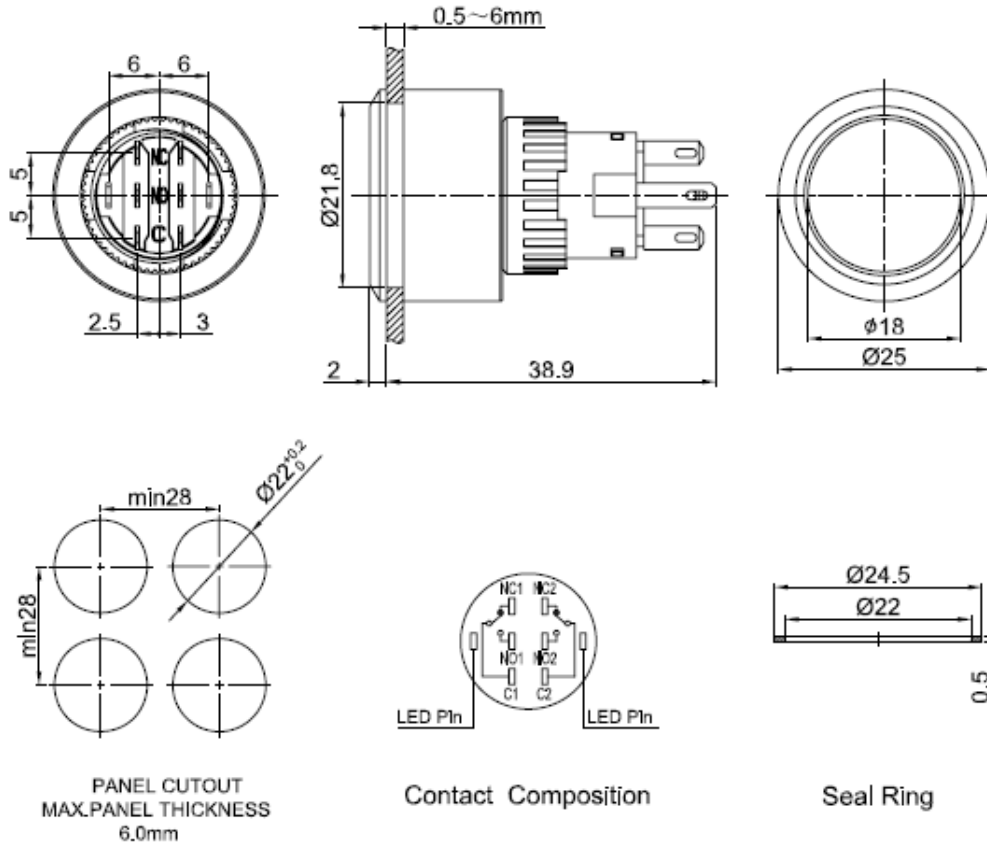


# Data Sheet

## Push button switch

Version 08/20



## Specification

Mounting diameter .....	22mm
Head shape .....	round head
Operation type .....	Momentary / Latching
Contact structure .....	1NO1NC
Switch rating .....	3A/250VAC
Terminal .....	Soldering Pins
Operating and storage temperature .....	-25 to +55 °C
Operating and storage humidity .....	45 to 85 % RH
IP rating .....	IP65

Item no.	Function	color
2304766	Momentary	Red
2304767	Momentary	Green
2304768	Latching	Red
2304769	Latching	Green