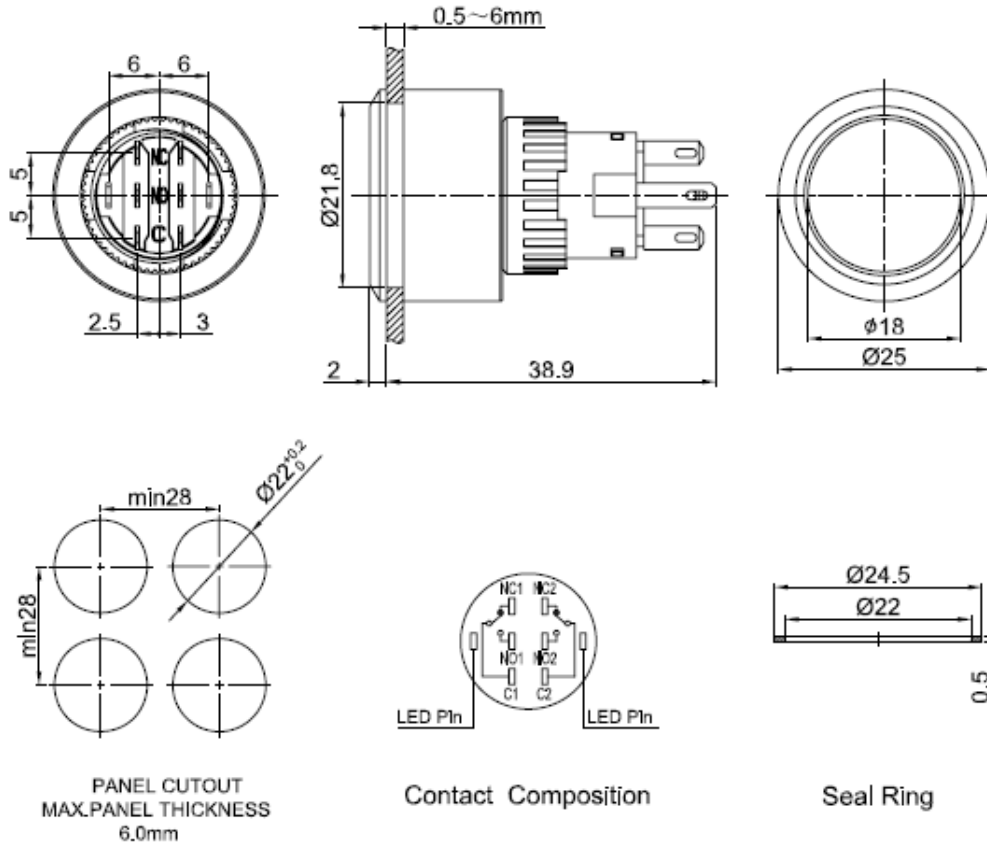


Data Sheet

Push button switch

Version 08/20



Specification

Mounting diameter	22mm
Head shape	round head
Operation type	Momentary / Latching
Contact structure	1NO1NC
Switch rating	3A/250VAC
Terminal	Soldering Pins
Operating and storage temperature	-25 to +55 °C
Operating and storage humidity	45 to 85 % RH
IP rating	IP65

Item no.	Function	color
2304766	Momentary	Red
2304767	Momentary	Green
2304768	Latching	Red
2304769	Latching	Green