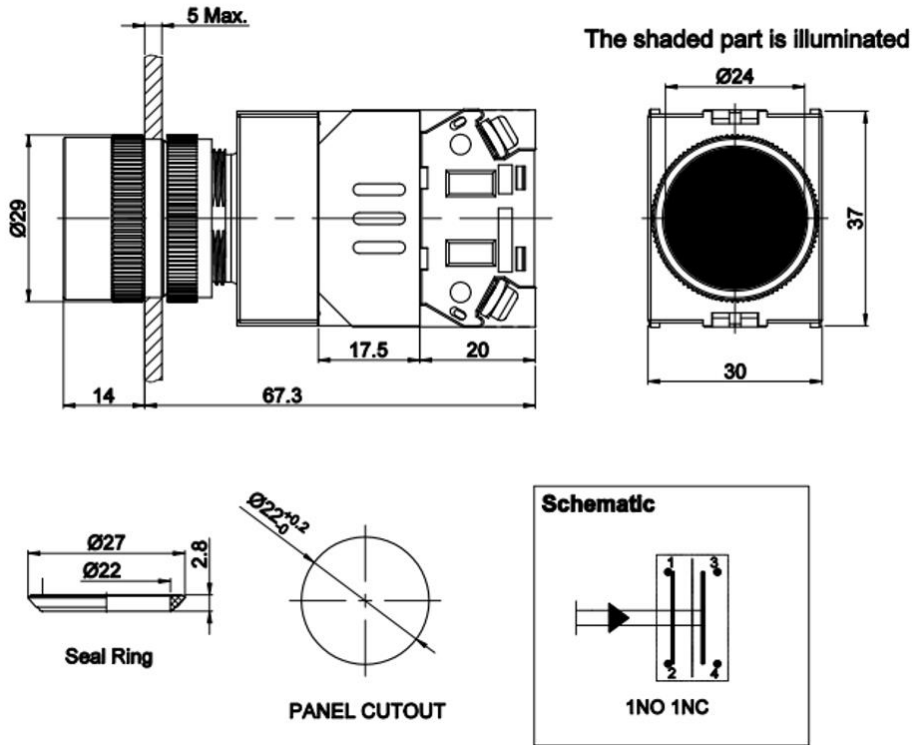


Data Sheet

Push button switch – Y090



Specification

Mounting diameter	22mm
Head shape	round head
Operation type	Momentary / Latching
Contact structure	1NO1NC
Switch rating	Ue: 250V, Ie: 5A
Terminal	Screw terminal
Illuminating voltage	12 V DC polarity not relevant
Operating and storage temperature	-25 to +55 °C
Operating and storage humidity	45 to 85 % RH
IP rating	IP40

Item no.	Function	LED color	LED voltage
2304770	Momentary	Red	12V
2304771	Momentary	Green	12V
2304772	Momentary	White	12V
2304773	Latching	Green	12V
2304774	Latching	White	12V