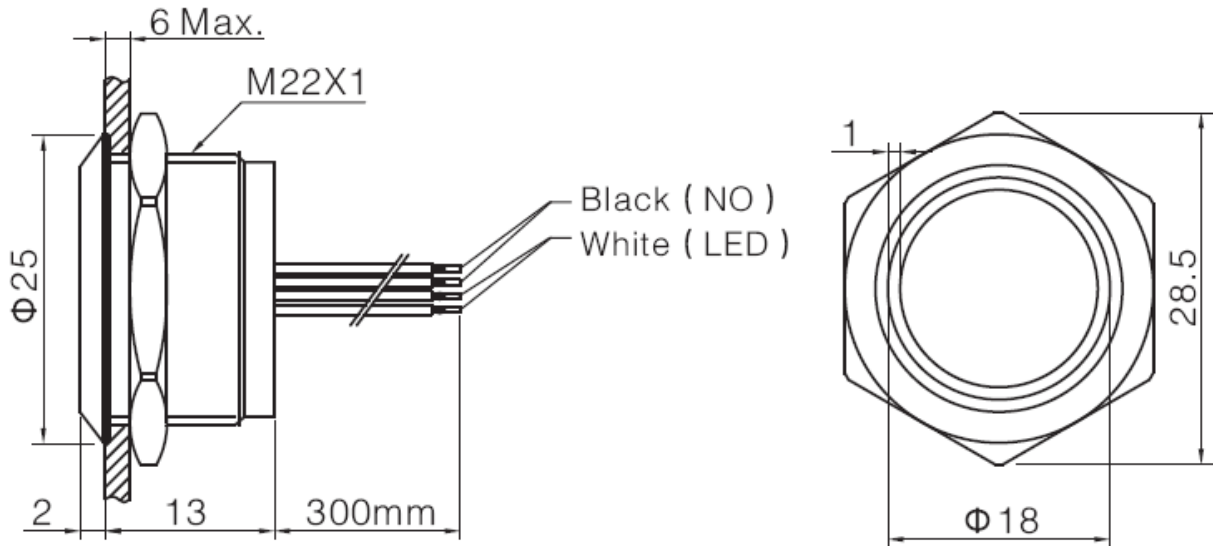


Data Sheet

Push button switch

Version 08/20



Specification

Mounting diameter	19mm
Head shape	Flat round head
Operation type	Momentary
Contact structure	1NO
Switch rating	50mA/24VDC
Illumination type	Non (98008c00533) / Ring (98008c00534)
LED	Non-illumination(98008c00533) / Green 12V(98008c00534)
Housing	Stainless steel
Terminal	2 wires (98008c00533) / 4 wires (98008c00534)
Operating and storage temperature	-25 to +55 °C
Operating and storage humidity	45 to 85 % RH
IP rating	IP65