

CUBE67+ I/O EXTENSION MODULE

12 multif. channels + 4 IO-Link master V1.1

Expansion module

Housing fully potted.

Cube67+ modules can only be operated on Cube67+, EtherNet/IP, PROFIBUS + PROFINET bus nodes.

DIO12 IOL4 (E) - 8x M12

IO-Link Master V1.1.2

Digital inputs/outputs (multifunctional)

Compatible with:

56521 PROFIBUS

56526 PROFINET

56535 EtherNet/IP

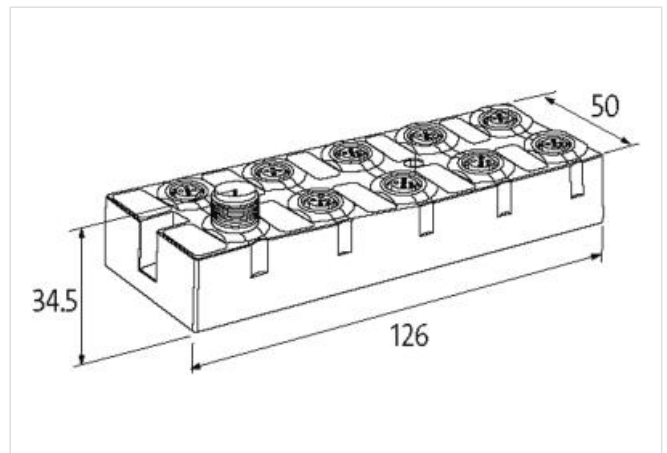
Connection cables are in the online shop under "Connection Technology".

Link to Product

Illustration



Product may differ from Image



General product information

Compatible with: 56521; 56526

Commercial data

ECLASS-6.0	27242604
ECLASS-6.1	27242604
ECLASS-7.0	27242604
ECLASS-8.0	27242604
ECLASS-9.0	27242604
ECLASS-10.1	27242604
ECLASS-11.1	27242604
ECLASS-12.0	27242604
ETIM-5.0	EC001597
customs tariff number	85389099
GTIN	4048879581431
Packaging unit	1

Electrical data Supply	
Norm operating voltage	EN 61131-2
Operating voltage US DC	24 V
Operating voltage UA DC	24 V
Current consumption max.	100 mA
Total current UA max.	4 A
Total current US max.	4 A
Electrical data Input	
Type input	PNP, for 3-wire sensors or mechanical switches
Input filter time	1 ms
Sensor current US per input max.	0,2 A
Sensor current US per IO-Link port max.	0,7 A
Electrical data Output	
Overload resistant	yes
Short-circuit protected	yes
Output current per pin max.	1,6 A
Lamp load	30 W
Industrial communication IO-Link	
Automatic baudrate detection	yes
IO-Link process data length output	32 Bytes
IO-Link process data length input	32 Bytes
IO-Link revision ID	V1.1.2
IO-Link type	4x Master
IO-Link transmission rate	COM1, COM2, COM3
Port Class	A, B
Diagnostics	
Actuator warning	per channel via LED and BUS
Diagnostic via BUS	per module and channel
Diagnostic via LED	per module and channel
IO-Link events	No voltage, Undervoltage supply
Short circuit diagnosis	yes
LED display	Ethernet connection/data traffic
Overload diagnosis	yes
Device protection Electrical	
Degree of protection (EN IEC 60529)	IP67
Mechanical data Mounting data	
Suitable for mounting type	2-hole screw mounting
Height	126 mm
Width	30 mm
Depth	34,5 mm
Environmental characteristics Climatic	
Operating temperature min.	0 °C
Operating temperature max.	55 °C
Storage temperature min.	-20 °C
Storage temperature max.	75 °C
Connection type 4	
Connection type 1	Bus In
Connection type 2	Bus Out
Connection type 3	DIO
Connection type 4	DIO / IO-Link
Family construction form	M12

Gender	male
Color contact carrier	black
Coding	A
No. of poles	6
PIN 1	24 V DC (UA)
PIN 2	24 V DC (US)
PIN 3	0 V
PIN 4	Bus internal
PIN 5	Bus internal
PIN 6	0 V
Family construction form	M12
Gender	female
Color contact carrier	black
Coding	A
No. of poles	6
PIN 1	24 V DC (UA)
PIN 2	24 V DC (US)
PIN 3	0 V
PIN 4	Bus internal
PIN 5	Bus internal
PIN 6	0 V
Family construction form	M12
Gender	female
Color contact carrier	black
Coding	A
No. of poles	5
PIN 1	24 V DC (US)
PIN 2	DI / DO / Diag
PIN 3	0 V
PIN 4	DI / DO
PIN 5	PE
Family construction form	M12
Gender	female
Color contact carrier	black
Coding	A
No. of poles	5
PIN 1	24 V DC (US)
PIN 2	DI / DO / Diag
PIN 3	0 V
PIN 4	DI / IO-Link
PIN 5	0 V