

MVK-MPNIO F DI16/8 7/8" IRT

MVK ProfiNet/PROFIsafe Compact module, metal,

safe inputs up to cat.4/PLe (EN ISO 13849-1), up to SIL3 (IEC 61508), up to SILCL3 (IEC 62061)

FDI16/8 (IRT)

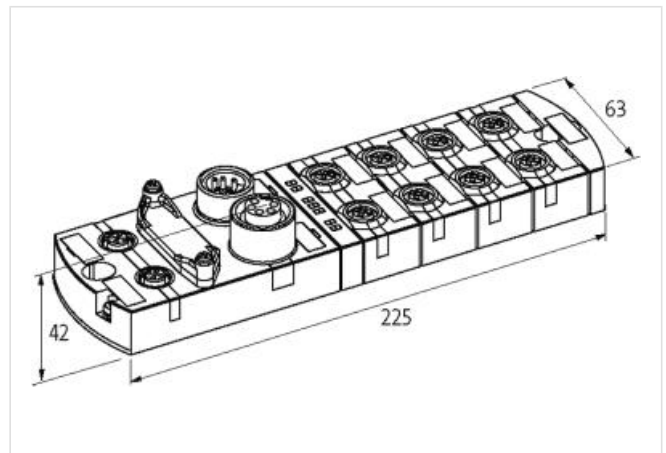
Ethernet 10/100 Mbit/s; M12, D-coded

7/8", 5-pole, 2× max. 9 A

M12, 5-pole, A-coded

[Link to Product](#)

Illustration



Product may differ from Image



Commercial data

ECLASS-6.0	27242604
ECLASS-6.1	27242604
ECLASS-7.0	27242604
ECLASS-8.0	27242604
ECLASS-9.0	27242604
ECLASS-10.1	27242604
ECLASS-11.1	27242604
ECLASS-12.0	27242604
ETIM-5.0	EC001599
customs tariff number	85389099
GTIN	4048879570756
Packaging unit	1

Safety codes

DCavg (EN ISO 13849-1)	98 %
Service life	20 a
Category (EN ISO 13849-1)	4
PFHd (IEC 61508)	17 E-10/h
Performance level (EN ISO 13849-1)	e
SIL (IEC 61508)	3
SIL CL (IEC 62061)	3

The information in this Product-PDF has been compiled with the utmost care.

Liability for the correctness completeness and topicality of the information is restricted to gross negligence. Version: 2024-05-14

Murrelektronik GmbH | Falkenstr. 3 | 71570 Oppenweiler | Fon +49 (71 91) 47-0 | Fax +49 (71 91) 47-491000 | shop@murrelektronik.de | shop.murrelektronik.de

Electrical data Supply	
Operating current per pin max.	when using pin 1 and pin 5, when using pin 1 or pin 5, 0.2 A, 0.7 A
Total current UA max.	9 A
Total current US max.	9 A
Electrical data Input	
Operating voltage F input	24 V
Type Safety input	for electrical sensors or mechanical switches
Industrial communication	
Supported protocol	PROFINET
Industrial communication Profinet	
Number of active connections (IO controller) max.	2
IRT (network communication)	yes
MRP client	yes
PROFINET addressing	DCP
PROFINET conformance class	C
PROFINET specification	V2.2
Shared device/input	yes
Diagnostics	
Actuator warning	per channel via LED and BUS
Diagnostic	No voltage, Under voltage
Diagnostic via BUS	per module and channel
Diagnostic via LED	per module and channel
Wire break detection	yes
Short circuit diagnosis	yes
LED display	Ethernet connection/data traffic
Cross-link detection	Sensor/Actuator
Overload diagnosis	yes
Device protection Electrical	
Degree of protection (EN IEC 60529)	IP67
Overload resistant	yes
Short-circuit protected	yes
Mechanical data Mounting data	
Suitable for mounting type	2-hole screw mounting
Height	44 mm
Width	63 mm
Depth	225 mm
Environmental characteristics Climatic	
Operating temperature min.	-20 °C
Operating temperature max.	55 °C
Storage temperature min.	-40 °C
Storage temperature max.	70 °C
Conformity	
Product standard	EN 61131-2
Connection type 4	
Connection type 1	0-7
Connection type 2	Power In
Connection type 3	Power Out
Connection type 4	XF2
Family construction form	M12
Gender	female

Color contact carrier	yellow
Coding	A
No. of poles	5
PIN 1	24 V DC (US 1) Test Pulse P 4
PIN 2	FDI
PIN 3	0 V (US 1)
PIN 4	FDI
PIN 5	24 V DC (US 1) Test Pulse P 2
Family construction form	7/8"
Gender	male
Color contact carrier	black
No. of poles	5
PIN 1	0 V (UA)
PIN 2	0 V (US)
PIN 3	PE
PIN 4	24 V DC (US)
PIN 5	24 V DC (UA)
Family construction form	7/8"
Gender	female
Color contact carrier	black
No. of poles	5
PIN 1	0 V (UA)
PIN 2	0 V (US)
PIN 3	PE
PIN 4	24 V DC (US)
PIN 5	24 V DC (UA)
Mounting method	inserted, screwed
Tightening torque	0,6 Nm
Family construction form	M12
Gender	female
Color contact carrier	black
Coding	D
No. of poles	4
PIN 1	TD +
PIN 2	RD +
PIN 3	TD -
PIN 4	RD -