

Specification Approval Sheet

产品规格书

Battery Type: GRP6935062-30C-11.1V 1300mAh

电池型号: GRP6935062-30C-11.1V 1300mAh

Supplier 供应商	Prepared By 编制	qiaozhigang	2022-04-28
	Checked By (RD) 审核 (研发)	Tanxinrong	2022-04-28
	Checked By (QC) 审核 (品质)	Luozhiqiang	2022-04-28
	Approved By 批准	Wujintao	2022-04-28

Customer Approval (客户批准)	Company Name (公司名称)	
	Signature/Date (签名/日期)	
	Company Stamp (公司印章)	

NOTICE OF PROPRIETARY PROPERTY: THE INFORMATION CONTAINED HEREIN IS THE PROPRIETARY PROPERTY OF GREPOW. THE POSSESSOR AGREES TO THE FOLLOWING: 1) TO MAINTAIN THIS DOCUMENT IN CONFIDENCE, 2) NOT TO REPRODUCE OR COPY IT, 3) NOT TO REVEAL OR PUBLISH IT IN WHOLE OR PART, 4) ALL RIGHT RESERVED.

本文件产权属格瑞普公司所有，格瑞普公司保留所有权利。文件持有人应同意对文件进行保密，未经书面许可，不得以任何方式对文件部分或所有内容进行复制、传播、发表和外传。

Amendment Records
(修正记录)

Edition (版本)	Description (记述)	Prepared by (编制)	Checked (审核)	Date (日期)
A	First Publish (首次编写)	qiaozhigang	Tanxinrong	2022-04-28

NOTICE OF PROPRIETARY PROPERTY: THE INFORMATION CONTAINED HEREIN IS THE PROPRIETARY PROPERTY OF GREPOW. THE POSSESSOR AGREES TO THE FOLLOWING: 1) TO MAINTAIN THIS DOCUMENT IN CONFIDENCE, 2) NOT TO REPRODUCE OR COPY IT, 3) NOT TO REVEAL OR PUBLISH IT IN WHOLE OR PART, 4) ALL RIGHT RESERVED.

本文件产权属格瑞普公司所有，格瑞普公司保留所有权利。文件持有人应同意对文件进行保密，未经书面许可，不得以任何方式对文件部分或所有内容进行复制、传播、发表和外传。

Appendix

附

Customer's Checking Criterion

(customer required)

客户验收标准 (客户必填):

- By Grepow's Testing Criterion for Lithium Polymer Battery。

按格瑞普电池有限公司电池检验标准

- By Customer's Testing Request and Criterion (Customer must supply the checking criterion)

按客户要求检验 (需附验货标准)

Content

目录

1. Scope 适用范围	5
2. Specification 产品规格	5
3. Pack Drawing 组装示意图	6
4. Performance And Test Conditions 电池性能及测试条件	7
4.1 Standard Test Condition 标准测试条件	7
4.2 Visual inspection 外观检查	7
4.3 Measuring Instrument or Apparatus 测量器具及设备	7
4.3.1 Dimension Measuring Instrument 尺寸测量器具	7
4.3.2 Voltmeter 伏特计	7
4.3.3 Ammeter 安培计	7
4.3.4 Impedance Meter 电阻计	7
4.4 Routine Inspection And Battery Performance Testing 电池常规性能检查及测试	8
Handling Precautions and Guideline 聚合物锂离子充电电池操作指示及注意事项	9
1.Charging 充电	9-10
2. Discharging 放电	10-11
3. Storage 贮存	11
4. Handling of Cells 电池操作注意事项	11-12
5. Notice Designing Battery Pack 电池外壳设计注意事项	11-2
6. Notice for Assembling Battery Pack 电池与外壳组装注意事项	12
7. Others 其它事项	12-13

1. Scope 适用范围

This document describes the Product Specification of the Lithium-Polymer (LIP) rechargeable battery cell supplied by Grepow Battery Corporation Limited.

本规格说明书描述了深圳市格瑞普电池有限公司生产的可充电聚合物锂离子电池的产品性能指标

2. Specification 产品规格

NO.	Items	Specifications
1	Connecting mode (组合方式)	<u>3 S 1 P</u> (三串一并)
2	Nominal capacity (标称容量)	1300mAh @ 0.2C Discharge (放电)
3	Minimum capacity (最小容量)	1225mAh @ 0.2C Discharge (放电)
4	Nominal voltage (标称电压)	11.1V (Cell 3.7V)
5	Open-Circuit Voltage (开路电压)	12.45~12.6V (Cell 4.15~4.20V)
6	PACK Voltage(As of shipment) 电池电压 (出货状态)	11.25~11.7V (Cell 3.75~3.9V)
7	Internal Impedance (内阻)	≤18.5mΩ
8	Dimensions (尺寸)	MAX (T*W*H) : 23.5 * 37.5 * 77.0mm
9	Pack weight (电池重量)	115g (APPROX)
10	Standard Charge 标准充电	0.26A CC (constant current) charge to 12.6V, then CV(constant voltage 12.6V) charge till charge current decline to ≤0.02C; 0.26A CC (恒流) 充电至 12.6V, 再 CV (恒压 12.6V) 充电直至充电电流 ≤0.02C;
11	Rapid Charge 快速充电	Constant Current: 1.3A, Constant Voltage: 12.6V, 0.02C cut-off; 持续电流: 1.3A, 持续电压: 12.6V 截止电流: 0.02C;
12	Charging time 充电时间	Standard Charging: 7.5 hours(Ref.) 标准充电: 7.5 小时 (参考值) Rapid charge: 1.5 hours(Ref.) 快速充电: 1.5 小时 (参考值)
13	Standard Discharge current 标准放电电流	Standard current: 0.26A, end voltage: 9.6V; 标准电流: 0.26A, 截止电压: 9.6V;
14	Max Constant Discharge current 最大持续放电电流	Max Constant current: 32.5A end voltage: 9.6V; 最大持续电流: 32.5A 截止电压: 9.6V;
15	High Rate Discharge 倍率放电性能	≥2.16 min Standard Charge/rest 5min discharge at 32.5A to 9.6V; 标准充电/静置 5 分钟用 32.5A 放电至 9.6V;

Notice: Please do not assemble the battery privately, Parallel charging for two packs of batteries maybe lead to short circuit or ignition.

If no otherwise specified, an interval rest time is 30min between charging and discharging.

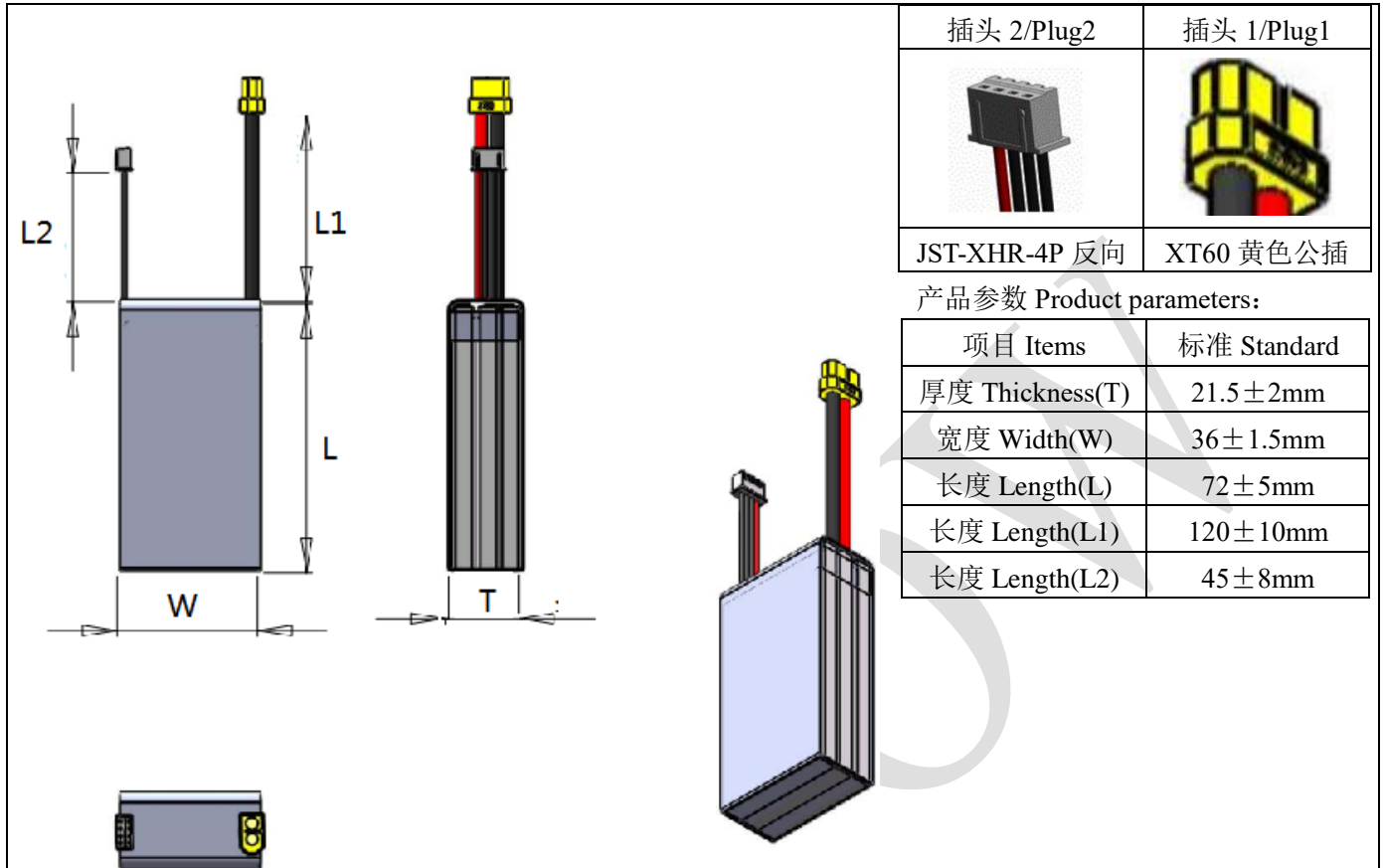
注意: 请勿私自组装电池, 将两组电池并联在一起进行充电, 此有可能造成短路或燃烧。

如果没有特别说明, 电池充放电间隔时间为 30 分钟

NOTICE OF PROPRIETARY PROPERTY: THE INFORMATION CONTAINED HEREIN IS THE PROPRIETARY PROPERTY OF GREPOW. THE POSSESSOR AGREES TO THE FOLLOWING: 1) TO MAINTAIN THIS DOCUMENT IN CONFIDENCE, 2) NOT TO REPRODUCE OR COPY IT, 3) NOT TO REVEAL OR PUBLISH IT IN WHOLE OR PART, 4) ALL RIGHT RESERVED.

本文件产权属格瑞普公司所有, 格瑞普公司保留所有权利。文件持有人应同意对文件进行保密, 未经书面许可, 不得以任何方式对文件部分或所有内容进行复制、传播、发表和外传。

3. Pack Drawing 组装示意图



Product BOM 产品 BOM

No.	名称	规格型号	用量	单位	备注
01	电芯	GRP6935062-1300mAh	3	Pcs	A 品
02	放电	XT60 公插接 14#硅胶线	1	Pcs	出 120mm
03	充电	JST-XHR-4P 反向接 22#线	1	Pcs	出 45mm
04	铝片	56*33*0.3mm	2	Pcs	
05	胶壳	无			
06	贴膜	无			
07	PVC	白色 PVC, 60*0.08mm	1	Pcs	

标记	处数	变更内容	成品电池组 GRP6935062-3S1P		图纸号:
			深圳市格瑞普电池有限公司 SHENZHEN GREPOW BATTERY CO.,LTD		客户名称
					比列
设计		样品确认			共 页
绘图	乔志刚	复核			第 页
审核	谭欣荣	批准			
版本	A	日期	2022-04-28		

NOTICE OF PROPRIETARY PROPERTY: THE INFORMATION CONTAINED HEREIN IS THE PROPRIETARY PROPERTY OF GREPOW. THE POSSESSOR AGREES TO THE FOLLOWING: 1) TO MAINTAIN THIS DOCUMENT IN CONFIDENCE, 2) NOT TO REPRODUCE OR COPY IT, 3) NOT TO REVEAL OR PUBLISH IT IN WHOLE OR PART, 4) ALL RIGHT RESERVED.

本文件产权属格瑞普公司所有，格瑞普公司保留所有权利。文件持有人应同意对文件进行保密，未经书面许可，不得以任何方式对文件部分或所有内容复制、传播、发表和外传。

4. Performance And Test Conditions (电池性能及测试条件)

4.1 Standard test condition (标准测试条件)

Unless otherwise specified, all tests stated in this Product Specification are conducted at below Condition;
除非特别说明, 本标准书中所有测试均在以下环境条件进行;

Before proceed the following tests, the battery should be discharged at 0.2C to 9.6V, cutoff. Unless otherwise stated, tests should be done within one month of delivery under the following conditions:

Ambient temperature: $23\pm 5^{\circ}\text{C}$; Relative Humidity: $65\pm 20\%\text{RH}$;

Note Standard Charge/Discharge Conditions:

Charge: The Cell will be charged to 12.6V, with 0.2C from constant current to constant voltage, when the current is 0.02C, stop to charge;

Discharge: 0.2C to 9.6V/battery;

在进行下列各项测试前每组电池应用 0.2C 放至 9.6V。如果没有特别规定, 测试应在电池交付 1 个月内按以下各项条件进行:

环境温度: $23\pm 5^{\circ}\text{C}$; 相对湿度: $65\pm 20\%\text{RH}$;

注意标准充放电为:

充电: 以 0.2C 电流恒流充电至限制电压 12.6V 时,改为恒压充电,直到截止电流为 0.02C 时停止充电;

放电: 以 0.2C 电流恒流放电至限制电压 9.6V;

4.2 Visual inspection (外观检查)

There shall be no such defect as scratch, flaw, crack, and leakage, which may adversely affect commercial value of the cell.

不允许有任何影响电池性能的外观缺陷, 诸如裂纹、裂缝、泄漏等。

4.3 Measuring Instrument or Apparatus (测量器具及设备)

4.3.1 Dimension Measuring Instrument (尺寸测量器具)

The dimension measurement shall be implemented by instruments with equal or more precision scale of 0.01mm.
尺寸测量器具的精度等级应不小于 0.01 mm。

4.3.2 Voltmeter (伏特计)

Standard class specified in the national standard or more sensitive class having inner impedance more than $10\text{k}\Omega/\text{V}$
按照国家标准指定规格等级或采用灵敏度更高的, 测量电压时内阻不应小于 $10\text{k}\Omega/\text{V}$ 。

4.3.3 Ammeter (安培计)

Standard class specified in the national standard or more sensitive class. Total external resistance including ammeter and wire is less than 0.01Ω .

按照国家标准指定规格等级或采用灵敏度更高的, 包括电流表及电线在内的总外阻应小于 0.01Ω 。

4.3.4 Impedance Meter (电阻计)

Impedance shall be measured by a sinusoidal alternating current method (1kHz LCR meter).

内阻测试仪测量原理应为交流阻抗法 (1kHz LCR)。

4.4 Routine Inspection And Testing Of Battery Performance 电池常规性能检查及测试

NO 序号	Items 测试项目	Test Method and Condition 测试方法和条件	Criteria 条件
1	Discharge Performance at different temperature 不同温度下放电特性	High Temperature: Storage 2 hrs at 60±2°C after standard charge, 0.5C discharge at 60±2°C; 高温: 标准充电后储存在 60±2°C 的环境中, 2 小时后用 0.5C 放电;	Efficiency ≥91.5%
		Room Temperature: Storage 2 hrs at 20±2°C after standard charge, 0.5C discharge at 20±2°C; 常温: 标准充电后储存在 20±2°C 的环境中, 2 小时后用 0.5C 放电;	Efficiency ≥98%
		Low Temperature: Storage 4 hrs at -20±2°C after standard charge, 0.2C discharge at -20±2°C; 低温: 标准充电后储存在 -20±2°C 的环境中, 4 小时后用 0.2C 放电;	Efficiency ≥70%
2	Cycle Life 循环寿命	Test condition: Step1) Charge: 0.65A to 12.6V, end current 0.02C; Step2) Rest: 10min; Step3) Discharge: 0.65A to 9.6V; Step4) Rest: 30min; Step5) Cycle from step 1 to step 4; More than 80% first capacity at 0.65A discharging; 测试条件: 1) 恒流恒压充电: 0.65A 充电到 12.6V 限流 0.02C; 2) 静置: 10min; 3) 恒流放电: 0.65A 放电到 9.6V; 4) 静置: 30min; 5) 循环 1) 至 4) 工步; 当以 0.65A 放电, 容量小于初始容量 80% 时, 所完成的循环次数定义为该电芯的循环寿命;	≥300 Cycle
3	Self-discharges 自放电	Standard full charge, storage at 23±2°C for 28days; Standard discharge (0.5C) to test Remaining Capacity; 标准充满电后 23±2°C 贮藏 28 天; 标准 0.5C 放电, 所得容量为剩余容量;	Remaining Capacity ≥85% (First Capacity) 剩余容量 ≥85% (初始容量)
		Standard charge/discharge for 2 cycles, to test recovery capacity; 按标准充放电制式循环 2 次, 取最大值为恢复容量;	Recovery Capacity ≥95% (First Capacity) 恢复容量 ≥95% (初始容量)
4	High temperature storage characteristics 高温储存特性	标准充满电后 60°C 存储 4h, 标准 0.5C 放电, 截止电压: 9.6V, 再进行标准充/放电循环 2 次, 取最大容量恢复值; Standard Charge Storage at 60°C degree: 4h, Standard Discharge 0.5C, Cut-off voltage 9.6V, Standard Charging/discharge 2 cycles, taking the maximum recovery capacity value;	Recovery Capacity ≥95% (First Capacity) 恢复容量 ≥95% (初始容量)

NOTICE OF PROPRIETARY PROPERTY: THE INFORMATION CONTAINED HEREIN IS THE PROPRIETARY PROPERTY OF GREPOW. THE POSSESSOR AGREES TO THE FOLLOWING: 1) TO MAINTAIN THIS DOCUMENT IN CONFIDENCE, 2) NOT TO REPRODUCE OR COPY IT, 3) NOT TO REVEAL OR PUBLISH IT IN WHOLE OR PART, 4) ALL RIGHT RESERVED.

本文件产权属格瑞普公司所有, 格瑞普公司保留所有权利。文件持有人应同意对文件进行保密, 未经书面许可, 不得以任何方式对文件部分或所有内容进行复制、传播、发表和外传。

Appendix

附录

Handling Precautions and Guideline

For LIP(Lithium-Ion Polymer)Rechargeable Batteries

聚合物锂离子充电电池操作指示及注意事项

Preface

This document of Handling Precautions and Guideline for LIP Rechargeable Batteries shall be applied to the battery cells manufactured by GREPOW.

前言

本文件“聚合物锂离子充电电池操作指示及注意事项”仅适用于深圳市格瑞普电池有限公司生产的电池。

Note(1):

The customer is requested to contact GREPOW in advance, if and when the customer needs other applications or operating conditions than those described in this document. Additional experimentation may be required to verify performance and safety under such conditions.

声明一:

客户若需要将电池用于超出文件规定以外的设备，或在文件规定以外的使用条件下使用电池，应事先联系格瑞普，因为需要进行特定的实验测试以核实电池在该使用条件下的性能及安全性。

Note(2):

GREPOW will take no responsibility for any accident when the cell is used under other conditions than those described in this Document.

声明二:

对于在超出文件规定以外的条件下使用电池而造成的任何意外事故，格瑞普概不负责。

Note(3):

GREPOW will inform, in a written form, the customer of improvement(s) regarding proper use and handing of the cell, if it is deemed necessary.

声明三:

如有必要，格瑞普会以书面形式告之客户有关正确操作使用电池的改进措施。

1. Charging 充电

1.1 Charging current 充电电流:

Charging current should be less than maximum charge current specified in the Product Specification. Charging with higher current than recommended value may cause damage to cell electrical, mechanical and safety performance and could lead to heat generation or leakage.

充电电流不得超过本标准中规定的最大充电电流。使用高于推荐值电流充电将可能引起电池的充放电性能、机械性能和安全性能的问题，并可能会导致发热或泄漏。

1.2 Charging voltage 充电电压:

Charging shall be done by voltage less than that specified in the Product Specification 12.6V (Cell 4.20V). Charging

NOTICE OF PROPRIETARY PROPERTY: THE INFORMATION CONTAINED HEREIN IS THE PROPRIETARY PROPERTY OF GREPOW. THE POSSESSOR AGREES TO THE FOLLOWING: 1) TO MAINTAIN THIS DOCUMENT IN CONFIDENCE, 2) NOT TO REPRODUCE OR COPY IT, 3) NOT TO REVEAL OR PUBLISH IT IN WHOLE OR PART, 4) ALL RIGHT RESERVED.

本文件产权属格瑞普公司所有，格瑞普公司保留所有权利。文件持有人应同意对文件进行保密，未经书面许可，不得以任何方式对文件部分或所有内容进行复制、传播、发表和外传。

beyond 12.75V (Cell 4.25V), which is the absolute maximum voltage, must be strictly prohibited: The charger shall be designed to comply with this condition. It is very dangerous that charging with higher voltage than maximum voltage may cause damage to the cell electrical, mechanical safety performance and could lead to heat generation or leakage.

充电电压不得超过本标准书中规定的额定电压 12.6V (单颗 4.20V), 12.75V (单颗 4.25V) 为充电电压最高极限, 充电器设计应满足此条件: 电芯电压高于额定电压值时, 将可能引起电池的充放电性能、机械性能和安全性能的问题, 可能会导致发热或泄漏。

1.3 Charging temperature 充电温度:

The battery shall be charged within 10°C~45°C range in the Product Specification.

电池必须在 10°C~45°C 的环境温度范围内进行充电。

1.4 Prohibition of reverse charging 禁止反向充电:

Reverse charging is prohibited. The battery shall be connected correctly. The polarity has to be confirmed before wiring. In case of the battery is connected improperly, the battery cannot be charged. Simultaneously, the reverse charging may cause damaging to the battery which may lead to degradation of battery performance and damage the battery safety, and could cause heat generation or leakage.

正确连接电池的正负极, 严禁反向充电。若电池正负极接反, 将无法对电池进行充电。同时, 反向充电会降低电池的充放电性能、安全性, 并会导致发热、泄漏。

2. Discharging 放电

2.1 Discharging current 放电电流

The battery shall be discharged at less than the maximum discharge current specified in the Product Specification, High discharging current may reduce the discharging capacity significantly or cause over-heat.

放电电流不得超过本标准书规定的最大放电电流, 大电流放电会导致电池容量剧减并导致过热。

2.2 Discharging temperature 放电温度

The battery discharge temperature is -20~60°C, 10~45°C environment suggested when discharge with large current, small current discharge suggested under < 10°C or > 45°C, Discharged under too low or too high temperature could lead to battery failure or other conditions.

电池放电环境温度为 -20~60°C, 大电流放电建议 10~45°C 环境下进行, <10°C或>45°C 建议用小电流进行放电, 过低或过高温大电流放电将可能导致电池失效或出现其他状况。

2.3 Over-discharging 过放电:

It should be noted that the battery would be at over-discharged state by its self-discharge characteristics in case the cell is not used for long time. In order to prevent over-discharging, the battery shall be charged periodically to maintain between 11.1V and 11.7V. Over-discharging may cause loss of cell performance, characteristics, or battery functions. The charger shall be equipped with a device to prevent further discharging exceeding a cut-off voltage specified in the Product Specification. Also the charger shall be equipped with a device to control the recharging procedures as follows:

The battery pack shall start with a low current (0.01C) for 15-30 minutes, i.e.-charging, before rapid charging starts.

The rapid charging shall be started after the (individual) cell voltage has been reached above 3.0V within 15-30 minutes that can be determined with the use of an appropriate timer for pre-charging. In case the (individual) cell voltage does not rise to 3.0V within the pre-charging time, then the charger shall have functions to stop further charging and display the cell/pack is at abnormal state.

需要注意的是，在电池长期未使用期间，它可能会用其它自放电特性而处于某种过放电状态。为防止放电的发生，电池应定期充电，将其电压维持在 11.1V 至 11.7V 之间，过放电会导致电池性能、电池功能的丧失。充电器应有装置来防止电池放电至低于本标准书规定的截止电压。此外，充电器还应有装置以防止重复充电，步骤如下：

电池在快速充电之前，应先以一小电流（0.01C）预充电 15~30 分钟，以使（每个）电芯的电压达到 3.0V 以上，再进行快速充电。可用一记时器来实现该预充电步骤。如果在预充电规定时间内，（个别）电池的电压仍未升到 3.0V 以上，充电器应能够停止下一步快速充电，并显示该/电池正处于非正常状态。

3. Storage 贮存

3.1 Storage condition 储存条件

- The battery shall be storied within $-10^{\circ}\text{C}\sim 45^{\circ}\text{C}$ range environmental condition.
- If the battery has to be storied for a long time (Over 3 months),the environmental condition should be:Temperature: $23\pm 5^{\circ}\text{C}$,Humidity: $65\pm 20\%\text{RH}$
- The voltage for a long time storage shall be 11.1V~11.7V range. Full charged storage is prohibited
- 电池储存温度必须在 $-10^{\circ}\text{C}\sim 45^{\circ}\text{C}$ 的范围内。
- 长期存储电池（超过 3 个月）须置于温度为: $23\pm 5^{\circ}\text{C}$ 、湿度为: $65\pm 20\%\text{RH}$ 的环境中。
- 贮存电压为 11.1V~11.7V. 禁止满电储存。

3.2 Activate method 激活方法

- Please activate the battery once every 3 months according to the following method:
- 0.2C charged to 12.6V, rest 5 min, then 0.2C discharged to with 9.6V, rest 5 min, 0.2C charged to 11.7V.
- 请每隔 3 个月按下面方法激活电池一次:
- 0.2C 充电至 12.6V, 静置 5 分钟, 然后用 0.2C 放电至 9.6V, 静置 5 分钟, 0.2C 充电 11.7V.

4. Handling of Cells 电池操作注意事项

4.1 Since the battery is packed in soft package, to ensure its better performance, it's very important to carefully handle the battery

由于电池属于软包装，为保证电池的性能不受损害，必须小心对电池进行操作。

4.2 The protection of soft aluminum foil 铝箔包装材料的防护

- The soft aluminum packing foil is very easily damaged by sharp edge parts such as Ni-tabs,pins and needles.
- Don't strike battery with any sharp edge parts
- Trim your nail or wear glove before taking battery
- Clean worktable to make sure no any sharp particle;
- 铝箔包装材料易被尖锐部件损伤，诸如镍片，尖针。
- 禁止用尖锐部件碰撞电池；

- 取放电池时，请修短指甲或戴上手套；
- 应清洁工作环境，避免有尖锐物体存在；

4.3 Folding edge 折边

- The folding edge is form in battery process and passed all hermetic test
- Don't open or deform folding edge
- 折边在电池生产过程中已完成，并通过了密封测试。
- 禁止打开或破坏折边。

4.3 Mechanical shock 机械撞击

- Don't Fall, hit, bend battery body
- 禁止坠落、冲击、弯折电池。

5. Notice Designing Battery Pack 电池外壳设计注意事项

5.1 Pack design 外壳设计

- Battery pack should have sufficient strength and battery should be protected from mechanical hock
- No Sharp edge components should be inside the pack containing the battery.
- 电池外壳应有足够的机械强度以保证其内部电芯免受机械撞击。
- 外壳内安装电芯的部位不应有锋利的边角。

6. Notice for Assembling Battery Pack 电池与外壳组装注意事项

6.1 Cell fixing 电池的安装

- The battery should be fixed to the battery pack by its large surface area.
- No cell movement in the battery pack should be allowed.
- 应将电池的宽面安装在外壳内；
- 电池不得在壳内活动。

7. Others 其它事项

7.1 Prevention of short circuit within a battery pack 电池短路预防

Enough insulation layers between wiring and the cells shall be used to maintain extra safety protection.
线与电芯之间需要做充分绝缘，保持电池安全

7.2 Prohibition of disassembling 严禁拆卸电池

1) Never disassemble the cells 在任何情况下不得拆卸电池

The disassembling may generate internal short circuit in the cell, which may cause gassing, firing, or other problems.

拆卸电池可能会导致内部短路，进而引起鼓气、着火及其它问题。

2) Electrolyte is harmful 电解液有害

LIP battery should not have liquid from electrolyte flowing, but in case the electrolyte come into contact with the skin, or eyes, physicians shall flush the electrolyte immediately with fresh water and medical advice is to be sought.

聚合物锂电池理论上不存在流动的电解液，但万一有电解液泄漏而接触到皮肤、眼睛或身体其它部位，应立即用清水冲洗电解液并就医。

7.3 Prohibition of dumping of cells into fire 严禁将电池投入火中

Never incinerate nor dispose the cells in fire. These may cause firing of the cells, which is very dangerous and is prohibited.

在任何情况下，不得燃烧电池或将电池投入火中，否则会引起电芯燃烧，这是非常危险的，应绝对禁止。

7.4 The battery has no waterproof function, do not sprinkle liquid on the battery or put the battery into the liquid. The liquid means water, juice, coffee or other corrosive liquid and so on.

电池结构不具备防水功能。请不要对电池表面喷洒液体或者将电池浸泡在液体中，包括但不限于淡水、海水、饮料（果汁、咖啡等）或其他有腐蚀性液体等。

7.5 Battery cells replacement 电芯的更换

The battery replacement shall be done only by either cells supplier or device supplier and never be done by the user. 更换电芯应由电芯供应商或设备供应商完成，用户不得自行更换。

7.6 Prohibition of use of damaged cells 禁止使用已损坏的电池

The cells might be damaged during shipping by shock. If any abnormal features of the cells are found such as damages in a plastic envelop of the cell, deformation of the cell package, smelling of electrolyte, electrolyte leakage and others, the cells shall never be used any more. The cells with a smell of the electrolyte or a leakage shall be placed away from fire to avoid firing.

电池在运输过程中可能因撞击等原因而损坏，若发现电池有任何异常特征，如电池塑料封边损坏，外壳破损，闻到电解液气体，电解液泄漏等，该电池不得使用。有电解液泄漏或散发电解液气味的电池应远离火源以避免着火。

7.7 Other The Chemical Reaction 其它的化学反应

Because batteries utilize a chemical reaction, battery performance will deteriorate over time even if stored for a long period of time without being used. In addition, if the various usage conditions such as charge, discharge, ambient temperature, etc. are not maintained within the specified ranges the life expectancy of the battery may be shortened or the device in which the battery is used may be damaged by electrolyte leakage. If the batteries cannot maintain a charge for long periods of time, even when they are charged correctly, this may indicate it is time to change the battery.

电池是利用化学反应产生电量，电池性能会随时间变差，即使电池长时间储存而不使用。另外，各种各样的使用方法，像充电、放电及环境温度，等等不能在本规格书规定的范围时的情形，会减小电池的期望寿命，或者会使仪器设备由于电池漏液而损坏。即使充电正确，电池长时间不能再充电，那就要更换电池了。

7.8 Note: Any other items which are not covered in this specification shall be agreed by both parties

注意：任何本产品规格书未包含的其它条款，应由双方协议确定。