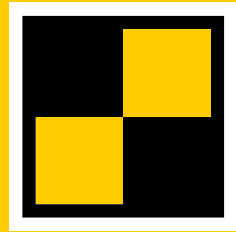


STABILA®



How true pro's measure

REC 160 RG

Operating instructions



Contents

Section	Page
• 1. Intended use	3
• 2. Safety information	3
• 3. Components of the unit	4
• 4. Display elements	5
• 5. Commissioning	6
• 5.1 Battery insertion/replacement	6
• 5.2 Switching the unit on	6
• 5.3 Lighting	6
• 5.4 Setting acoustic guidance	7
• 5.5 Adjusting the accuracy	7
• 6. Functions	8
• 6.1 Visual guidance	8
• 6.2 Acoustic guidance	8
• 6.3 Positioning and aligning the receiver	8
• 6.4 Retaining bracket	9
• 7. Technical data	10

1. Intended use

Congratulations on the purchase of your STABILA measuring tool. The STABILA REC 160 RG is an easy-to-use receiver for quickly locating rotating red or green laser beams.



If you still have questions after reading through the operating instructions, you can obtain advice by telephone:



+49 63 46 3 09 0

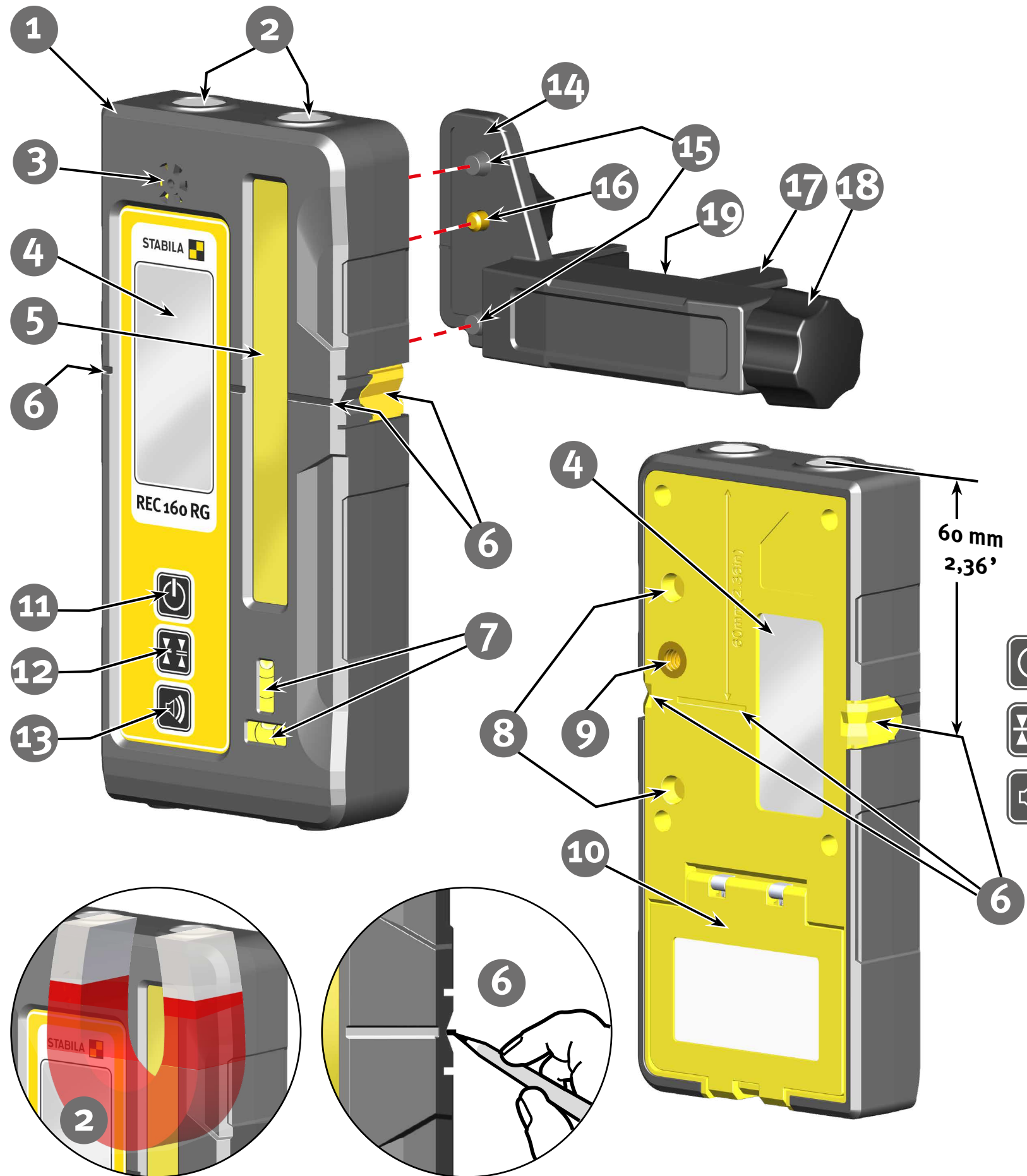
1.800.869.7460 U.S. and Canada

Equipment and functions:




- Receiver for quickly locating rotating red or green laser beams
- Housing protected in accordance with IP 66
- Adjustable accuracy
- Displays on front and rear
- Display lighting can be switched on and off
- Acoustic guidance can be activated
- 2 vials for precise horizontal and vertical alignment
- Integrated magnet system for attachment to metal objects
- Retaining bracket for mounting the receiver on levelling rods
- Batteries for operation

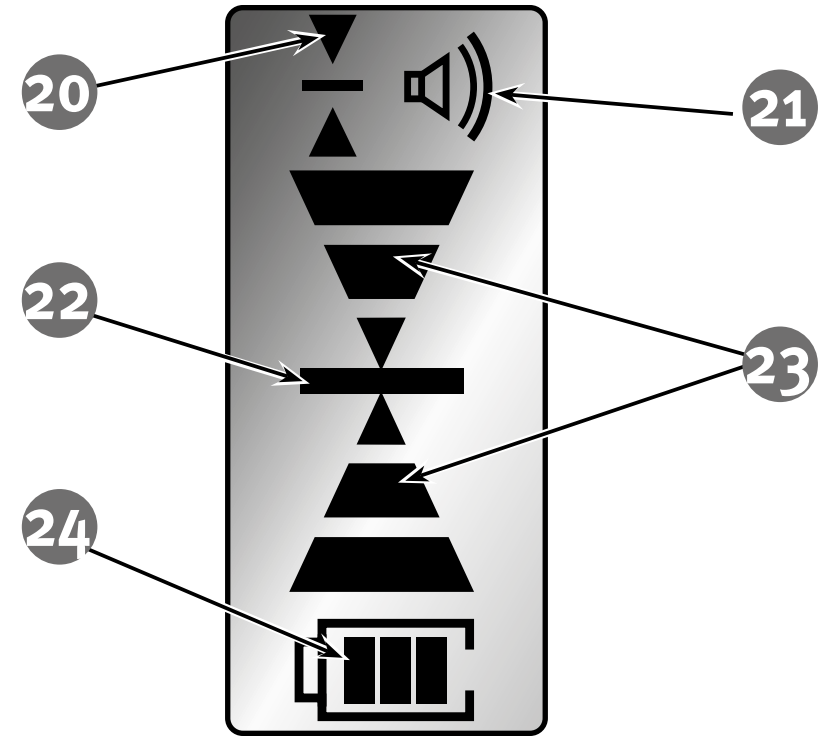
2. Safety information

Read the safety instructions and operating instructions through carefully.



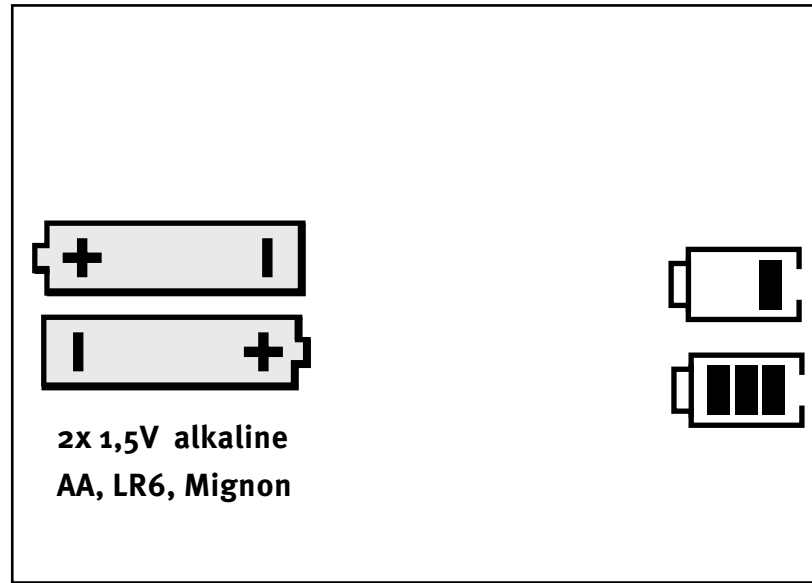
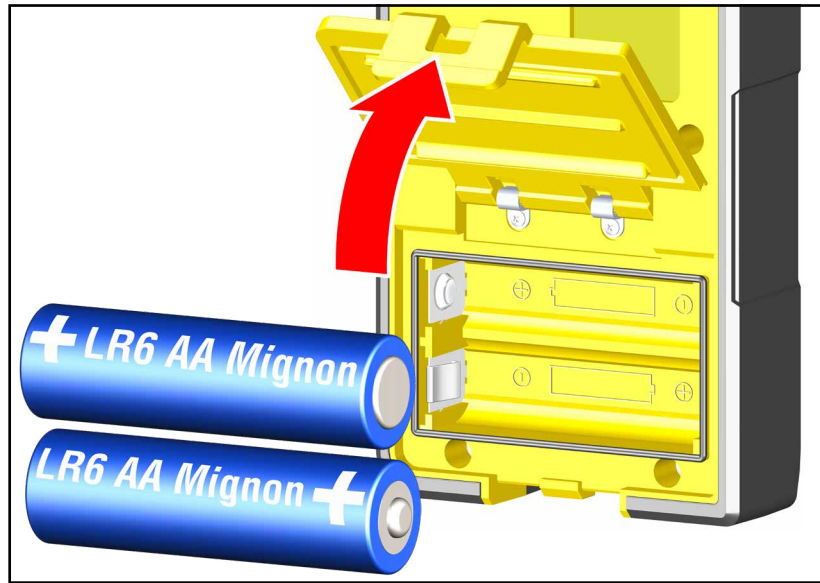
3. Components of the unit

- (1) REC 160 RG (dust-proof and waterproof in accordance with IP 66)
 - (2) Magnet
 - (3) Outlet: acoustic signal
 - (4) Display – 1x on front, 1x on rear
 - (5) Laser receiver
 - (6) “On line” marking
 - (7) Vials
 - (8) Locating holes for retaining bracket
 - (9) Thread for retaining bracket
 - (10) Battery compartment lid
- Buttons:
-  (11) On/Off
 -  (12) Accuracy
 -  (13) Acoustic signal
 - (14) Retaining bracket
 - (15) Locating pins
 - (16) Mounting screw
 - (17) Adjustable clamp
 - (18) Locking screw
 - (19) Reading reference



4. Display elements

- (20) Adjusting the accuracy: fine to rough
- (21) Acoustic signal
- (22) "On line" position
- (23) Display levels for height difference in relation to "On line" position
- (24) Battery charge



5. Commissioning

5.1 Battery insertion/replacement

Open the battery compartment lid in the direction of the arrow and insert new batteries in the battery compartment as indicated by the symbol.

Suitable rechargeable batteries can also be used.

LCD indicator:

Battery capacity low

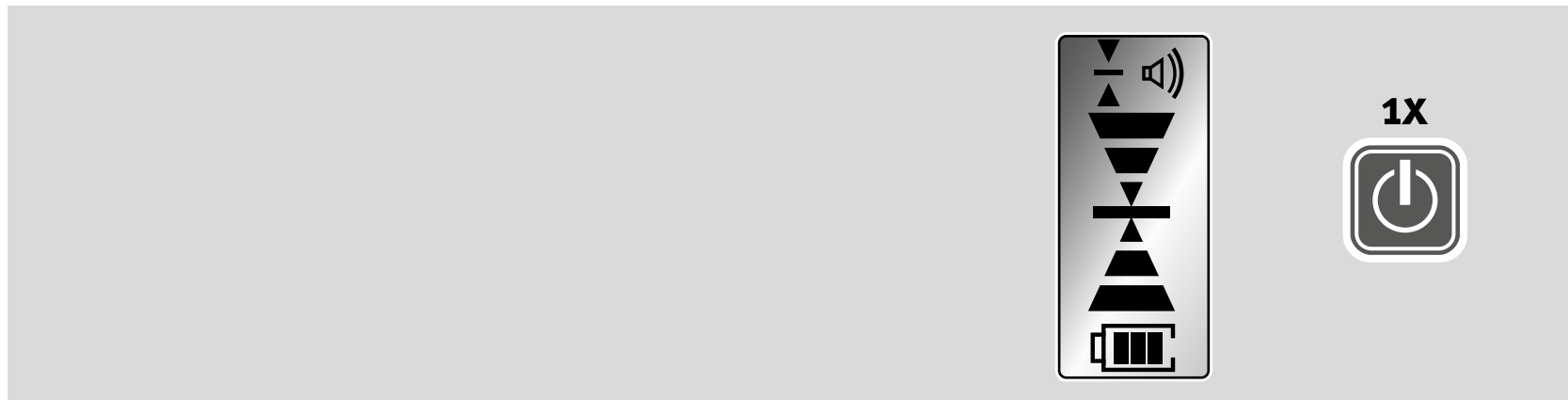
- Insert new battery



Used batteries should be disposed of at appropriate collection points.

Do not dispose of in household waste.

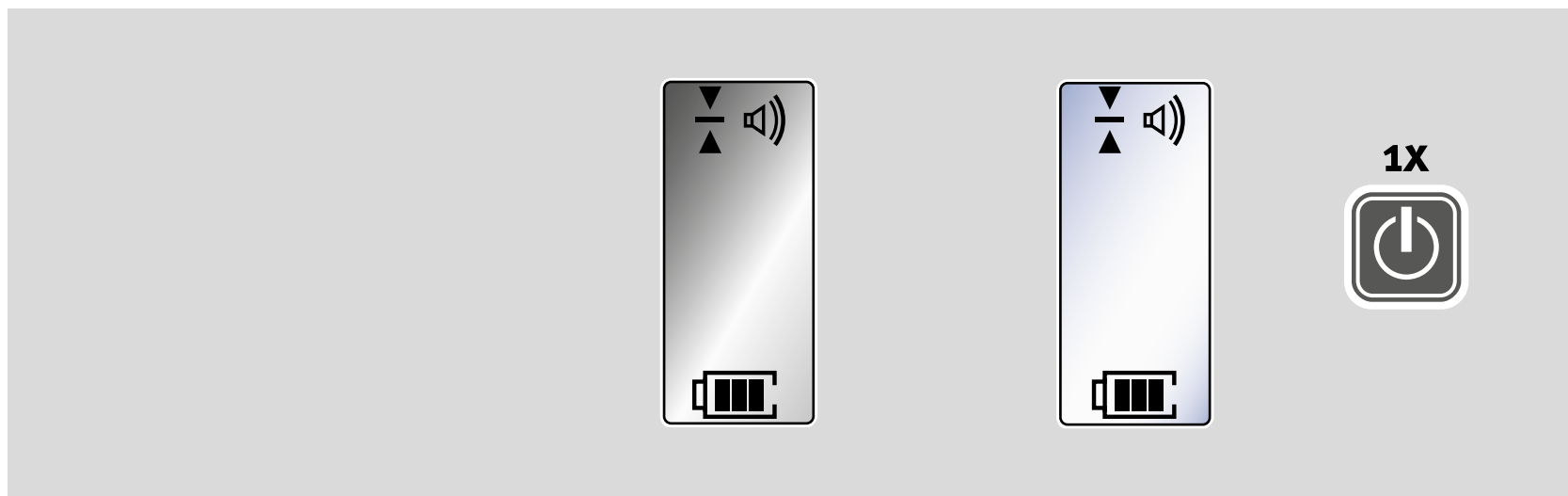
If you do not intend to use the unit for an extended period, remove the batteries.



5.2 Switching the unit on

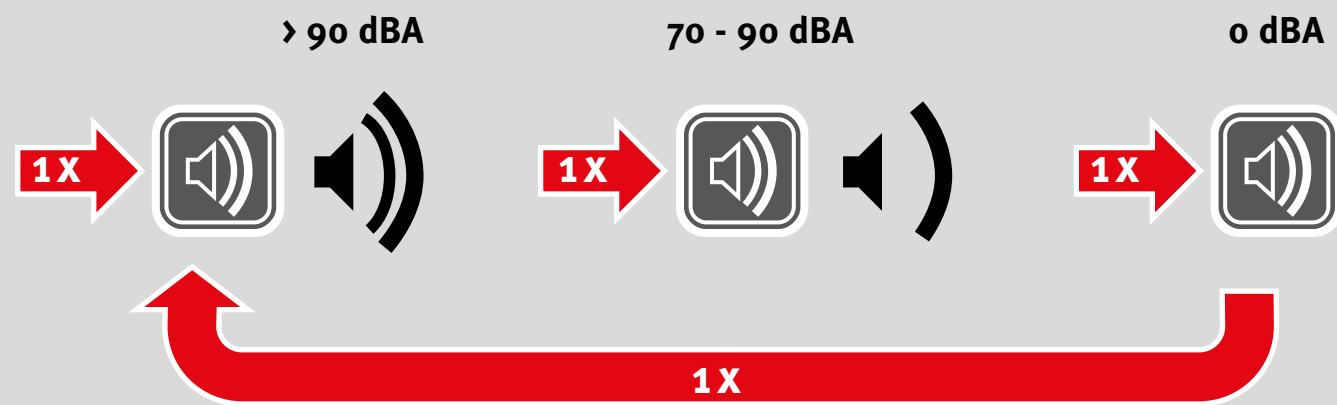
After switching on the unit using the ON/OFF button, all the display's segments are shown briefly. An acoustic signal sounds and the display lights up briefly to confirm that the unit is operational. Hold down the ON/OFF button to switch off the unit.

The unit switches off automatically if it is not used for 30 minutes.



5.3 Lighting

Pressing the ON/OFF button briefly switches the lighting on or off in the displays on both sides of the receiver.

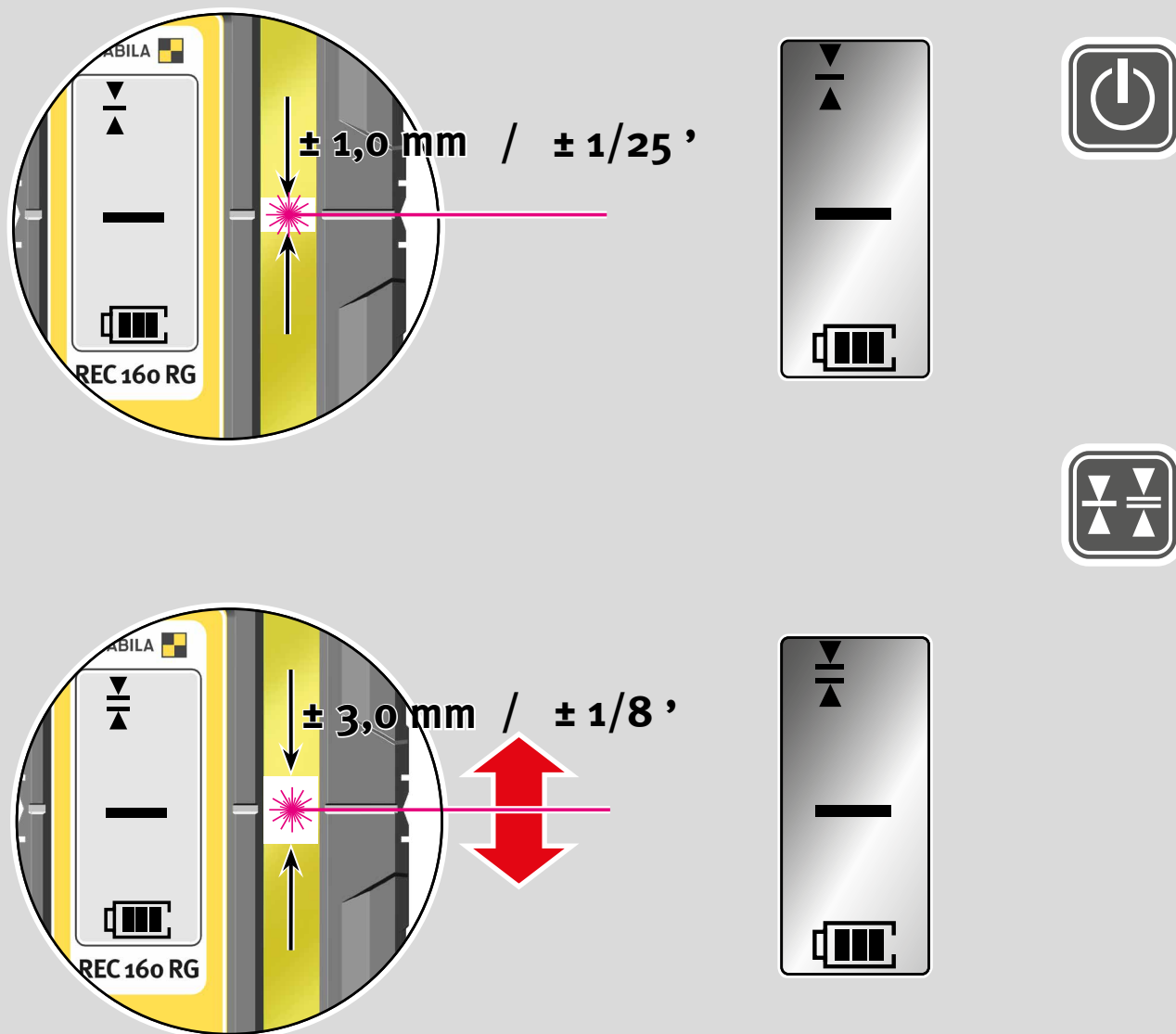


5.4 Setting acoustic guidance

The volume is increased/decreased by pressing the “Loudspeaker” button briefly and repeatedly:

Loud, soft or off.

If the sound is turned off, only a short beep sounds to indicate when the laser beam is being received.



5.5 Adjusting the accuracy

The receiver always starts with the “fine” accuracy setting. Press the “Accuracy” button briefly and repeatedly to select the accuracy: “fine” = $\pm 1.0 \text{ mm} (\pm 1/25')$ and “coarse” = $\pm 3.0 \text{ mm} (\pm 1/8')$.

6. Functions

6.1 Visual guidance

Height difference display

The arrows indicate whether the receiver is too high or too low in relation to the laser beam. The line in the middle indicates the "On line" position of the receiver.

6.2 Acoustic guidance

The acoustic guidance is activated/deactivated using the "Loudspeaker" button. A change in the pitch indicates that these positions have been exceeded.

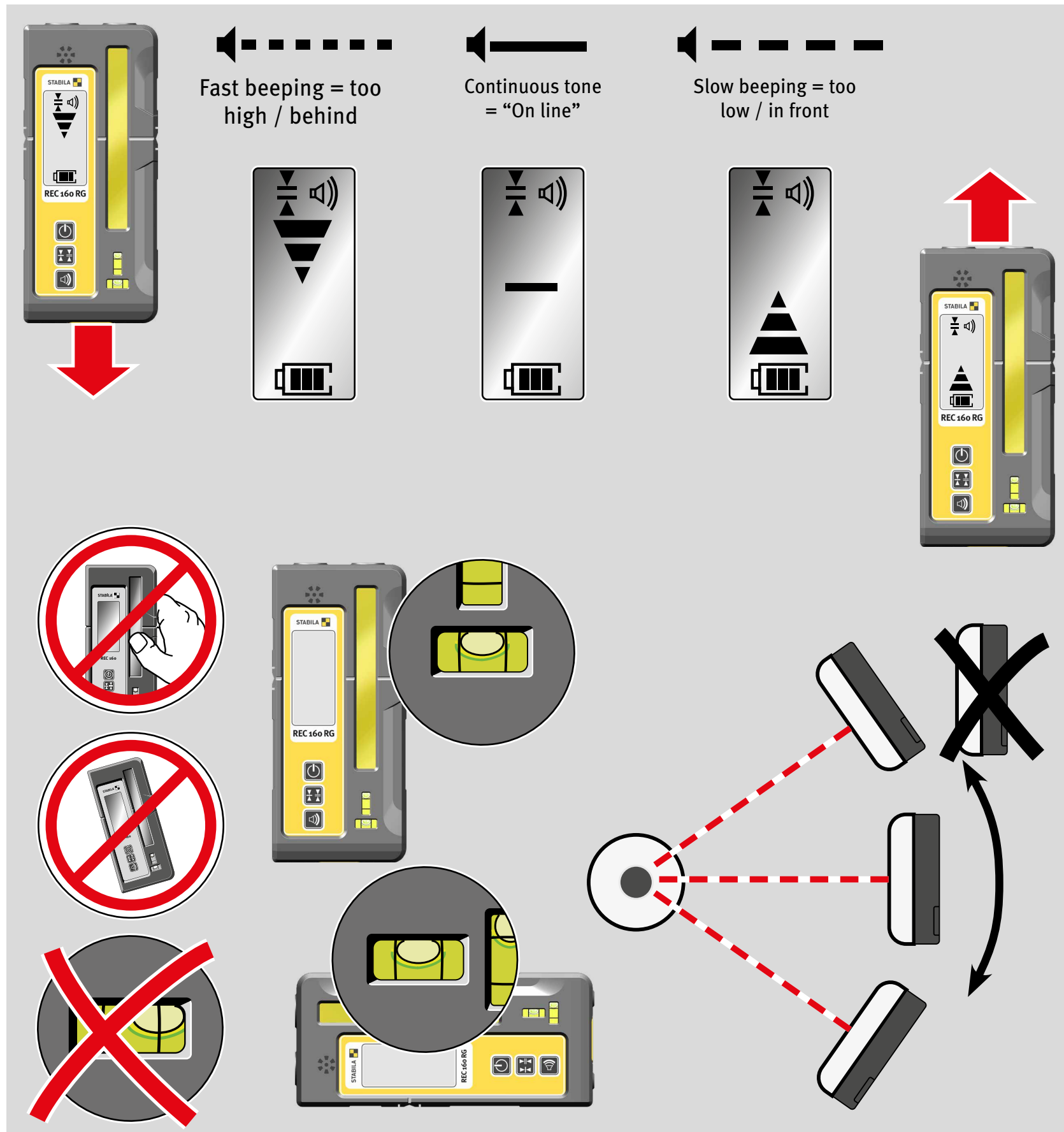
A continuous tone confirms the precise point at which the "On line" position is reached.

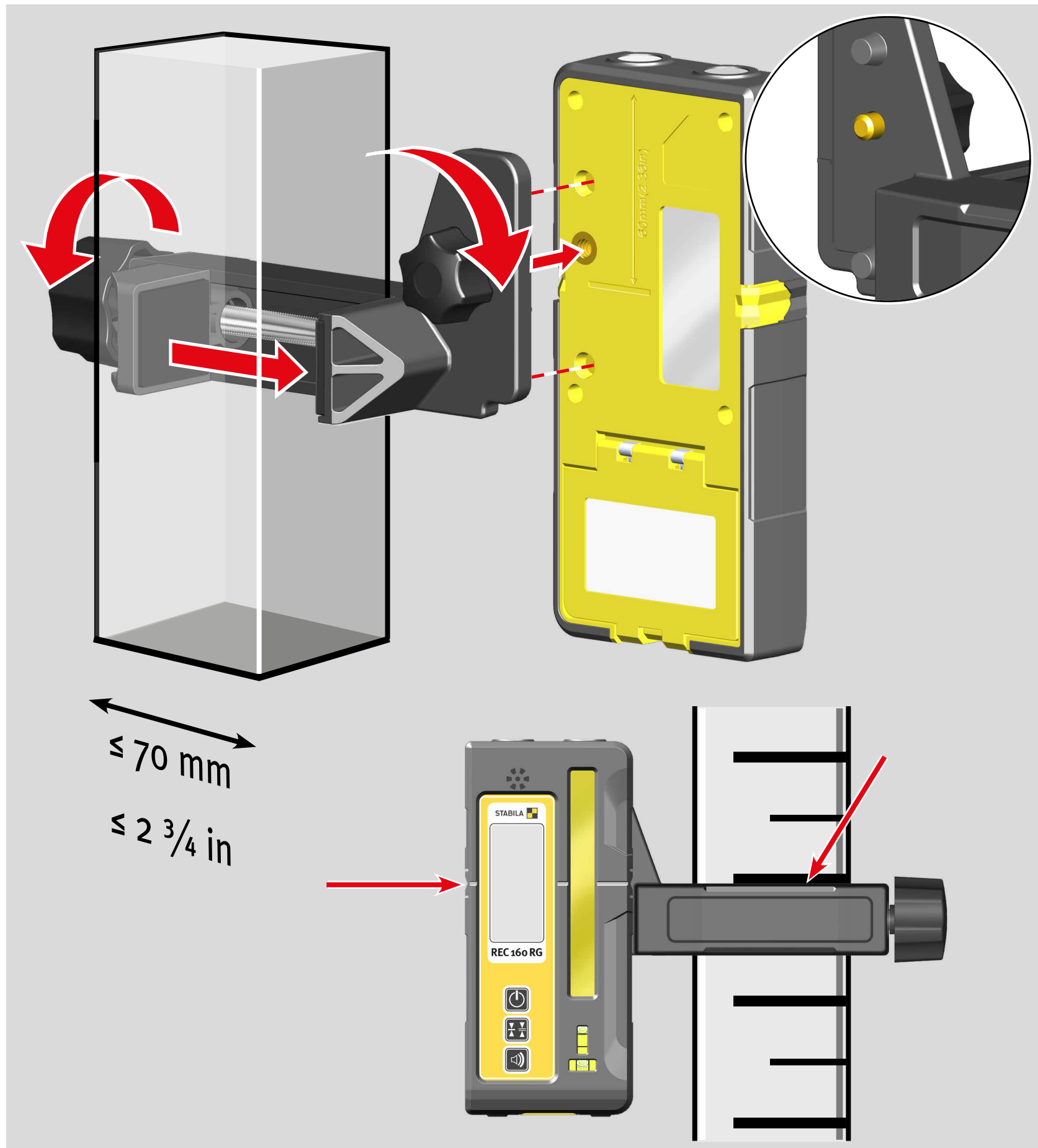
6.3 Positioning and aligning the receiver

Proper handling is required to achieve a correct measurement result:

Note:

At close range (≤ 4 m), reflections can result in incorrect measurements. Always check the plausibility of measurements taken at close range!





6.4 Retaining bracket

Mounting:

Use the locating pins and the mounting screw to align and mount the retaining bracket on the rear of the receiver.

Locking screw:

Turn the screw to adjust the clamp and mount the retaining bracket and receiver on the measuring rod.

Reading reference:

To ensure that the unit is aligned precisely on the measuring rod, the reading reference on the retaining bracket is level with the "On line" marking on the receiver.

7. Technical data

Accuracy:

Fine: $\pm 1 \text{ mm} / 1/25''$

Rough: $\pm 3 \text{ mm} / 1/8''$

Receiving spectrum: 500 nm – 680 nm

Acoustic signal: Loud: $> 90 \text{ dBA}$

Soft: 70–90 dBA

Batteries: 2 x 1.5 V alkaline, Mignon, AA, LR6

Battery life: ≥ 24 hours

Automatic switch-off: 30 minutes

Operating temperature range: $-10 \text{ }^\circ\text{C}$ to $+50 \text{ }^\circ\text{C}$ / $14 \text{ }^\circ\text{F}$ to $+122 \text{ }^\circ\text{F}$

Storage temperature range: $-20 \text{ }^\circ\text{C}$ to $+70 \text{ }^\circ\text{C}$ / $-4 \text{ }^\circ\text{F}$ to $+158 \text{ }^\circ\text{F}$

Protection class: IP 66

Subject to technical modifications.

2019

Europe
Middle and South America
Australia
Asia
Africa



STABILA Messgeräte
Gustav Ullrich GmbH

P.O. Box 13 40 / D-76851 Annweiler
Landauer Str. 45 / D-76855 Annweiler

☎ + 49 63 46 309 - 0
✉ info@de.stabila.com

USA
Canada

STABILA Inc.

332 Industrial Drive
South Elgin, IL 60177

☎ 800-869-7460
✉ custservice@Stabila.com