

## Features

- Compliant to DoE 2016 (Level VI)
- ErP Stage 2, NRCan & GEMS Level VI
- No Load Power Consumption < 0.1 W
- Regulated Output with Low Ripple Noise
- 1 Year Warranty



## Marks / Approvals



## Specifications

Product similar to photo, variations possible.

	MODEL	Voltage	Min. Load	Max. Load	Max. Power
	ATS 250T-P120	12 V	0.00 A	20.00 A	240 W
	ATS 250T-P150	15 V	0.00 A	16.66 A	250 W
	ATS 250T-P190	19 V	0.00 A	13.15 A	250 W
	ATS 250T-P240	24 V	0.00 A	10.42 A	250 W
	ATS 250T-P480	48 V	0.00 A	5.21 A	250 W
	ATS 250T-P560	56 V	0.00 A	4.46 A	250 W
INPUT	<b>Voltage</b>	AC 100 V – 240 V			
	<b>Frequency</b>	50 Hz - 60 Hz			
	<b>Current</b>	3 A max.			
	<b>Protection</b>	Internal Primary Current Fuse, Inrush Limiting			
OUTPUT	<b>Load Regulation</b>	± 5 % (typical)			
	<b>Ripple</b>	1 % – 2 % V p-p max. for output voltage at full load			
	<b>Transient Response</b>	0.5 ms for 50 % load change typical			
	<b>Leakage Current</b>	0.25 mA max.			
	<b>Protection</b>	Short circuit Protection • Over Voltage Protection • Over Current Protection			
OTHERS	<b>Cooling</b>	Convection			
	<b>Efficiency</b>	DoE Level VI • Energy Star • ErP Stage 2 • NRCan & GEMS Level VI Certified			
	<b>Holdup Time</b>	10 ms at full load			
	<b>Dielectric Withstand</b>	AC 3000 V Primary – Secondary			
	<b>MTBF</b>	300,000 calculated hours at 25 °C by telcordia SR-332			
ENVIRONMENT	<b>Temperature</b>	Operating: 0 °C – 40 °C / Storage: -20 °C – 80 °C			
	<b>Humidity</b>	Operating: 20 % RH – 80 % RH / Storage: 10 % RH – 90 % RH			
EMI Conduction & Radiation	Compliance to EN 55022 Class B				
Harmonic Current	Compliance to EN 61000-3-2, -3				
EMS Immunity	Compliance to IEC 61000-1-2, -3, -4, -5, -6, -8, -11				
Safety	IEC / EN / UL 62368-1 • IEC 60950-1 • CE • RCM • PSE • BSMI				
Case Dimensions	204 x 94 x 43.5 mm				
Weight	1 040 g typical				

**8.Mechanical :**

**8.1 Weight : 1040 g Typical**

**8.2 Cable Type : Black UL2464 16AWG\*4C**

**( Wire + Plug )**

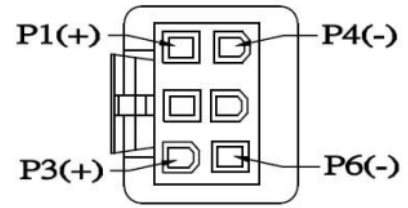
**Plug : 6Pin Housing**

**8.3 Cable Length : 1200mm**

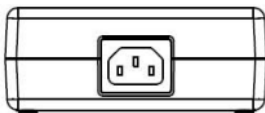
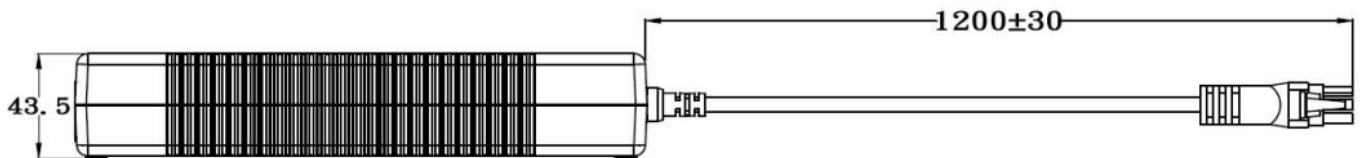
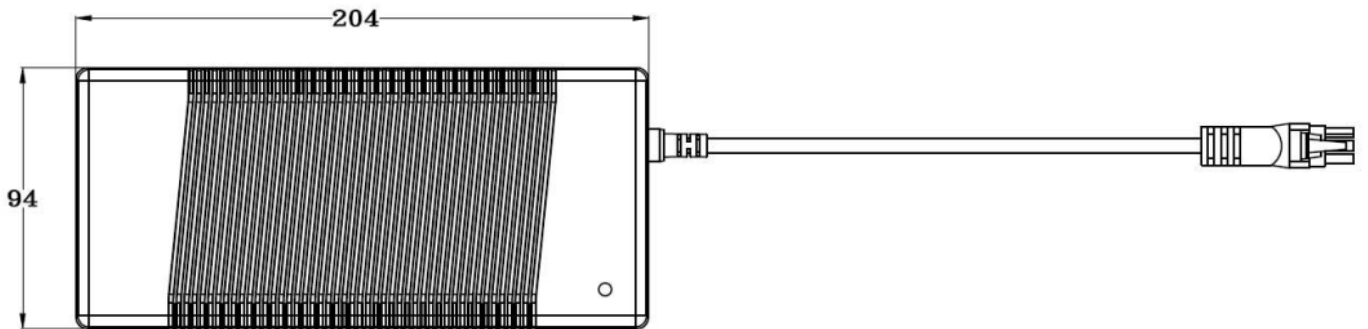
**8.4 Case Dimension : 204 mm(L)\*94 mm(W)\*43.5mm(H)**

**8.5 Material Flammability : UL 94V-0**

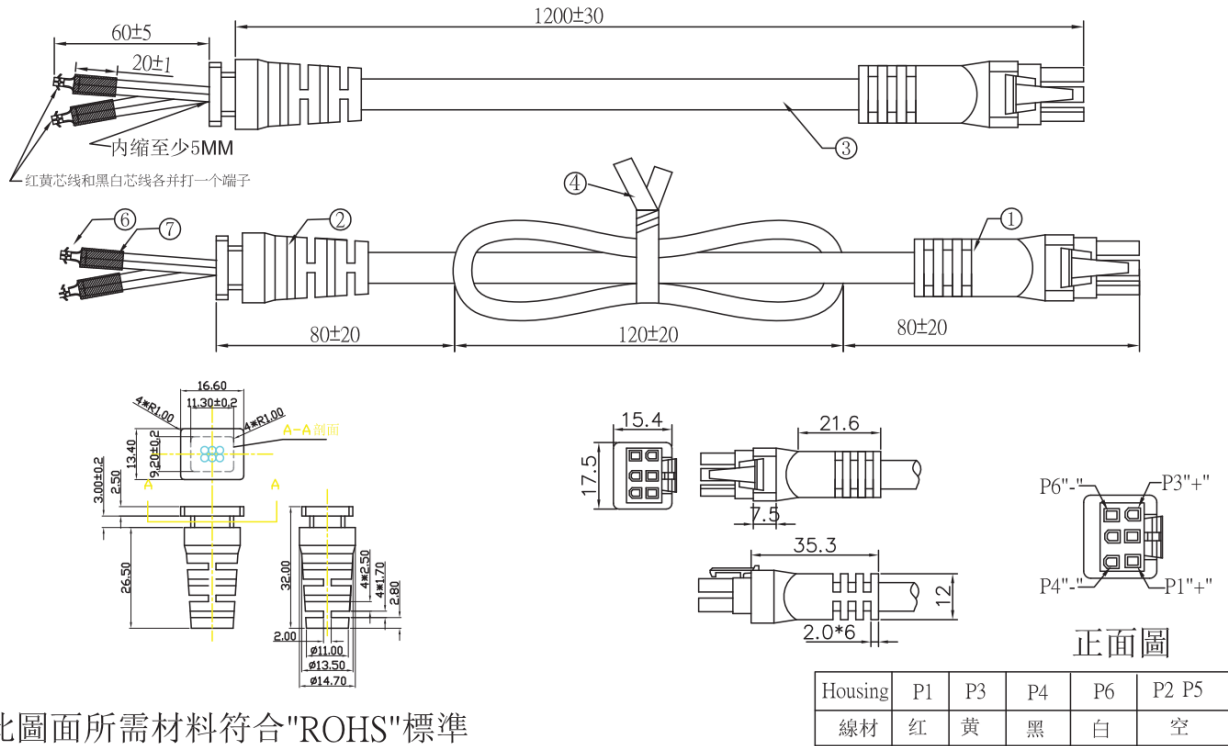
**8.6 External Apperance : As drawing below ( Scale → mm )**



**Output Cable Plug Pin Assignment**



**FRONT-VIEW**



Technical drawings exemplary for ATS300T-P240 (6 Pin Housing)(VI)-RevA1-20161121