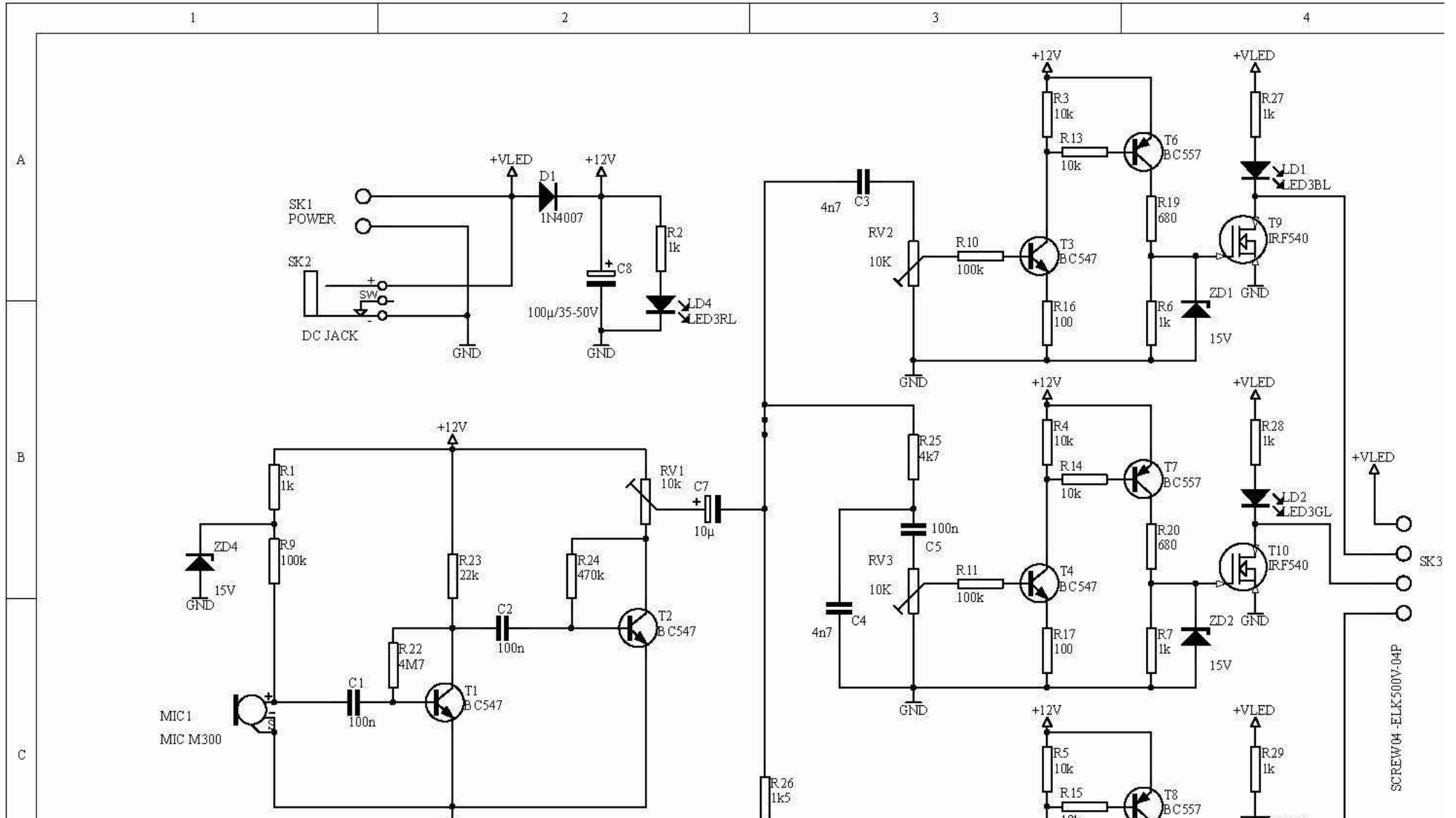


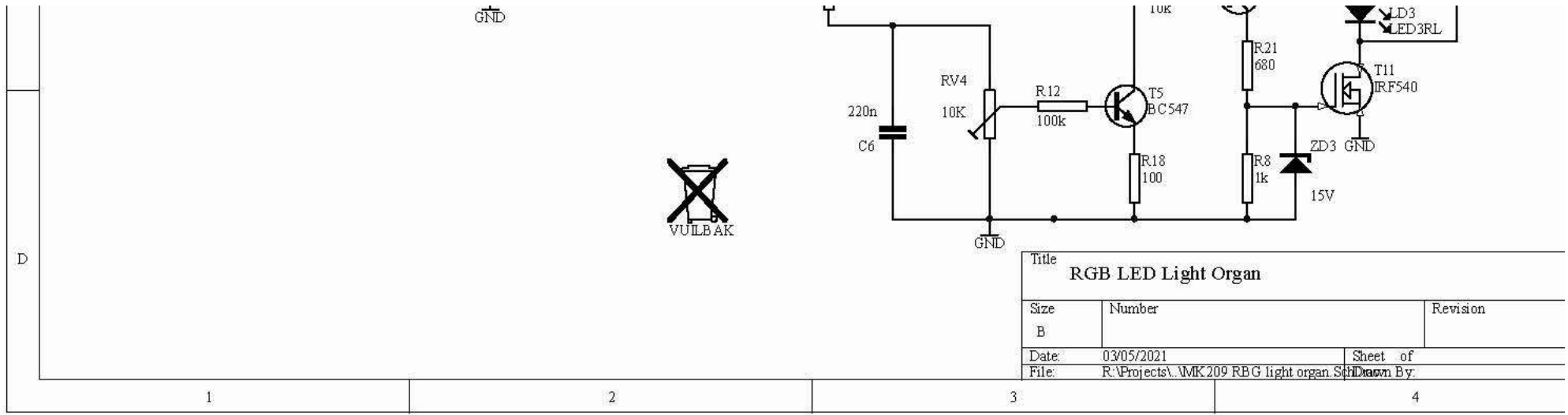
1.Component list & diagram

Component list and designator

- 1 x front panel (black)
- 1 x PCB (purple)
- resistors:
 - 10 x 1K ohm (brown, black, red): R1, R2, R6, R7, R8, R16, R17, R18, R28, R29
 - 6 x 10K ohm (brown, black, orange): R3, R4, R5, R13, R14, R15
 - 5 x 100K ohm (brown, black, yellow): R9, R10, R11, R12, R27
 - 3 x 680 Ohm (blue, grey, brown): R19, R20, R21
 - 1 x 4M7 ohm (yellow, purple, green): R22
 - 1 x 22K ohm (red, red, orange): R23
 - 1 x 470K ohm (yellow, purple, yellow): R24
 - 1 x 4K7 ohm (yellow, purple, red): R25
 - 1 x 1K5 ohm (brown, green, red): R26
- 4 x Zener diode 15V- 500mW: ZD1, ZD2, ZD3, ZD4
- 1 x Diode 1A - 1000V 1N4007: D1 (mount vertical!)
- 3 x Ceramic multilayer capacitor 100nF [104]: C1, C2, C5
- 1 x Ceramic multilayer capacitor 220nF [224]: C6
- 2 x Ceramic capacitor 4.7nF [472]: C3, C4
- 1 x Elco radial 10µF / 35V: C7
- 1 x Elco radial 100µF / 35V: C8
- 4 x Potentiometers piher trimmer 10K: RV1.. RV4
- 5 x SI transistor NPN (BC547B): T1... T5
- 3 x SI transistor PNP (BC557B): T6, T7, T8
- 3 x Power mosfet transistor (IRF540): T9, T10, T11
- 3 x Screw connector prints, blue: SK1, SK3 (mount two in SK3)
- 1 x DC socket: SK2
- 1 x Electret microcel 10mm diameter: MIC1 (mount on the solder side of PCB)
- 4 x Spindle 19mm / 6 mm (black)
- 4 x Black plastic knob
- 1 x Yellow 3mm LED: LD1 (mount on solder side of PCB)
- 1 x Red 3mm LED: LD2 (mount on solder side of PCB)
- 1 x Green 3mm LED: LD3 (mount on solder side of PCB)
- 1 x Blue 3mm LED: LD4 (mount on solder side of PCB)
- 4 x Plastic spacers 15mm m4
- 4 x Bolt Inbus M3x25mm cilinders
- 4 x Black screw 2.9x9.5mm
- 4 x M3 nut galvanized



1.Component list & diagram



Article Number: 1225
 Posted: Fri, Apr 30, 2021 3:19 PM
 Last Updated: Wed, Jun 2, 2021 10:44 AM

Online URL: <https://manuals.whadda.com/article.php?id=1225>