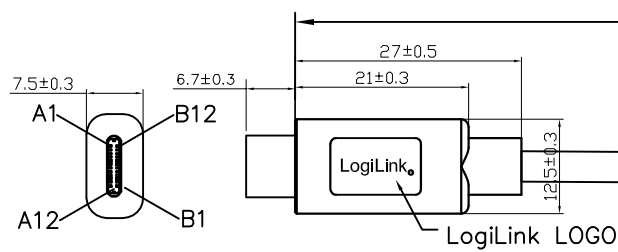


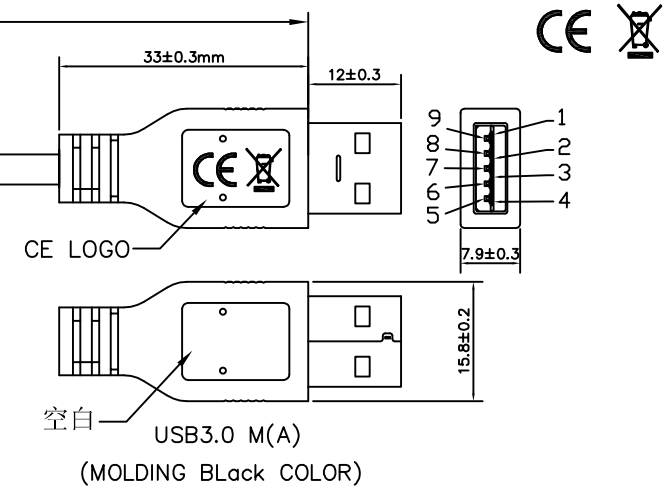
THE INFORMATION CONTAINED IN THIS DRAWING IS THE SOLE PROPERTY OF 2DIRECT GMBH. ANY REPRODUCTION IN PART OR WHOLE WITHOUT THE WRITTEN PERMISSION OF 2DIRECT GMBH IS PROHIBITED. WE RESERVE THE RIGHT TO MAKE TECHNICAL CHANGES. TECHNISCHE ÄNDERUNGEN VORBEHALTEN.

REVISIONS			
REV	DESCRIPTION	DATE	APPROVED
A			



TYPE(C) MALE (P1)
(MOLDING BLACK COLOR)

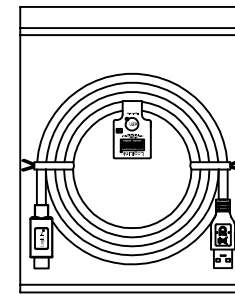
ITEM NO	COLOR	LENGTH	EAN	NO.
CU0168	BLACK	1000±30mm	4052792055177	F003-21-07003-A
CU0169	BLACK	1500±30mm	4052792055184	F003-21-07004-A
CU0170	BLACK	2000±30mm	4052792055191	F003-21-07005-A
CU0171	BLACK	3000±50mm	4052792055090	F003-21-07006-A
CU0166	BLACK	150±15mm	4052792055153	F003-21-07001-A
CU0167	BLACK	500±25mm	4052792055160	F003-21-07002-A



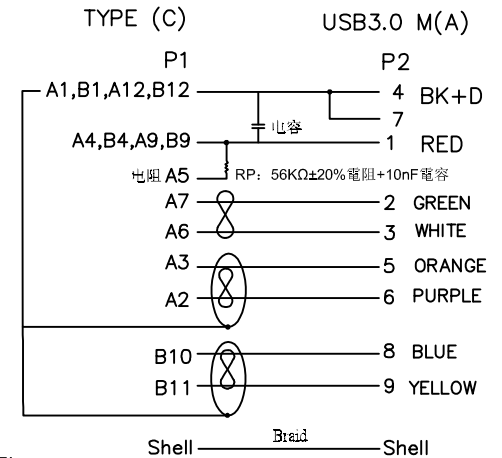
LABEL:
USB 3.0 cable, AM to USB-C, black,0.15m
USB 3.0 Data transfer rate
EAN:4052792055153
CTN:854442909

NOTE:

- CABLE: UL2725,AL+B-FOIL,32AWG*1P+24AWG*2C+F+(32AWG*1P+D+AL+MYLAR)*2C, BLACK COLOR,OD=5.0±0.2mm,PVC JACKET.
- LENGTH: L.
- CONNECTORS: USB3.0AM*1PCS(BLUE INSULATOR),TYPE C*1PCS(BLACK INSULATION)(SHELL NICKEL).
- MOLD: MOLDING USB TYPE.
- CONTACTS:
- Test machine test condition.
A.100% OPEN,SHORT&INTERMITANCE TEST.
B.CONDUCTOR RESISTANCE: 3ohms MAX:



5. CONTACTS:



PACKING:1PCS/PE bag+LABEL
10PCS/BAG BAG+ LABEL
(10PCS IN ONE BAG)

DIMENSIONAL TOLERANCES UNLESS OTHERWISE NOTED		APPROVALS	DATE	2direct GmbH		
TOLERANCE	inch	mm	DRAWN BY Yuwenming	PRODUCT TITLE		
.X			CHECKED BY Chenrunming	ITEM NO. CU0166/67/68/69/70/71		
.XX			APPROVED BY Chenlianwei	DWG. NO. F003-21-07001-A F003-21-07002-A F003-21-07003-A F003-21-07004-A F003-21-07005-A F003-21-07006-A		
.XXX			CONFIGURATION DETAILS OF UNDIMENSIONED FEATURES MAY VARY	REV.		
PROJECTION			SCALE: NONE UNITS: mm SHEET / 1			
CARTON DIMENSION	mm		COLOR VARIATIONS MAY OCCUR			
CARTON WEIGHT	kg					