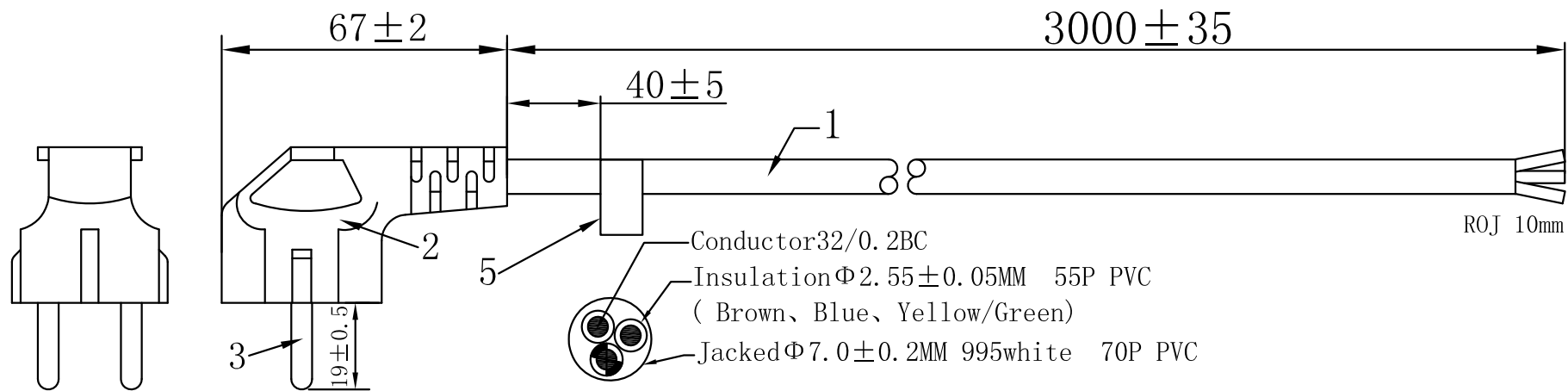
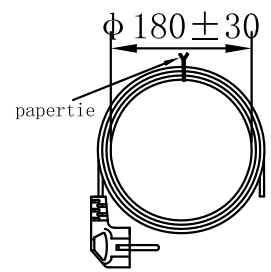
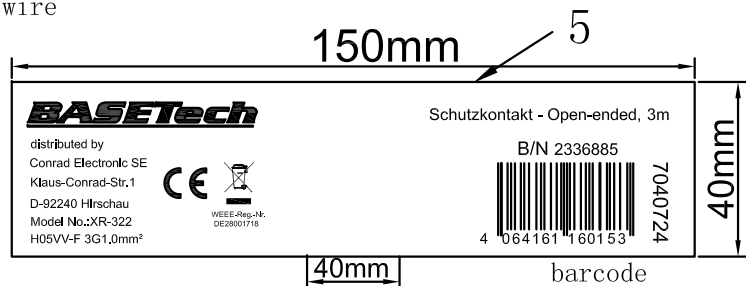
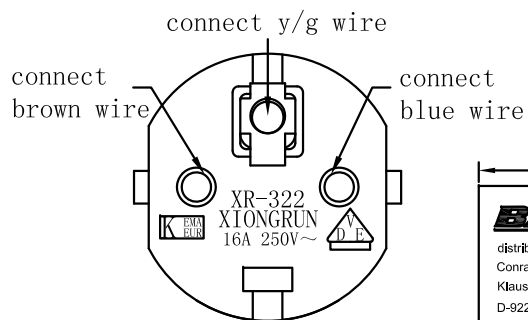


Customer PN.:2336885

Rev N°	Description	Date	Done by
A/0			



wire marking:  
 <VDE> KEMA-KEUR H05VV-F 3G1.0mm<sup>2</sup> Q080451



Technical requirement:  
 1: Dielectric voltage :between jacket and conductors 4200V/S  
 between conductors 2500V/S  
 2: Insulation resistance 100MΩ.  
 3: Continuity of lead 100% OK.  
 4: RoHS COMPLIANT.

5	Barcode label	3C0198-01	1	EA
4	Paper tie	4C0016-01	2	EA
3	Φ4.8 terminal for plug	2A0110-01	1	EA
2	Plug(XR-322), 16A 250V~ COLOR:white, PVC, 55P	3B0212-01	0.0485	Kg
1	H05VV-F 3G1.0mm <sup>2</sup> , COLOR:white, L=3067mm.	V10287	1	EA
NO.	DESCRIPTION		QTY	unit

DESCRIPTION		DRAW NO.	XR-1638114	UNIT	M M
PARTS NO		SCALE	NONE	DATE	15/09/2020
APPROVED		CHECKED		DRAWING	HPW