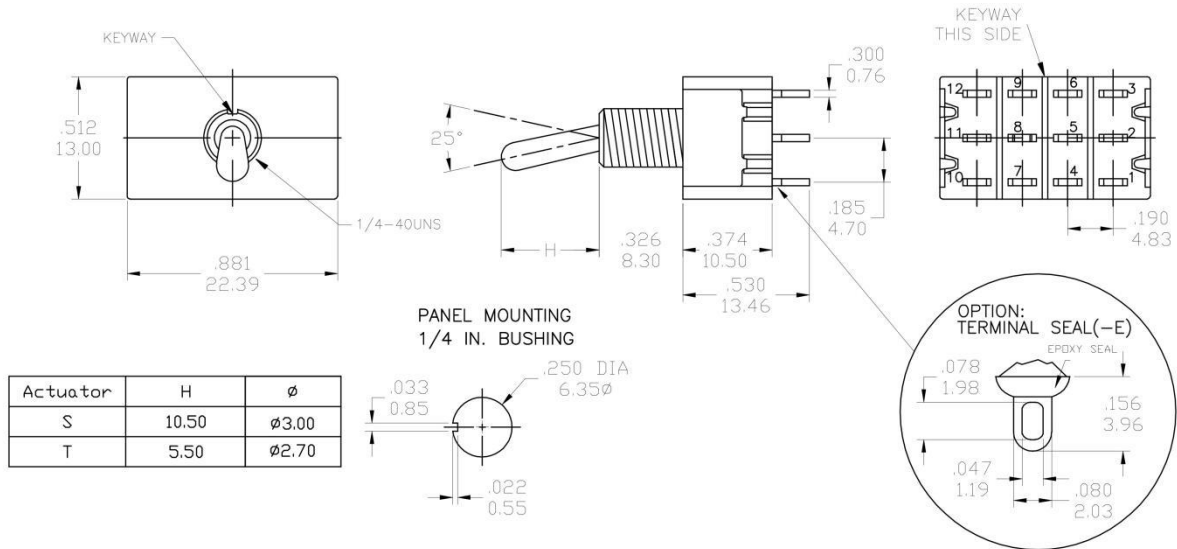


Data Sheet

Toggle switch 125 V AC 6A / 250V AC 3A 12pins On-On 1 pc(s)



Technical data

Toggle length: 10.5 mm

Color: Red

Features Steel lever (insulated)

Switch function: On-On

Switching voltage & current : 125V AC 6 A / 250V AC 3A

Number of pins: 12

Connection: Solder tag

Product type: Toggle switch

Operation temperature: -10°C ~ +80°C

Storage temperature: -40°C ~ +80°C