

Operating Instructions

Solar Wall Light with PIR Sensor

Item No. 2338749

Intended use

The product is intended for use as decoration and is not suitable for domestic lighting. This product is wall mounted and has an built-in PIR sensor. 5 LEDs serve as the illuminant. The light turns on automatically at nightfall. All LEDs will stay on for a short period when the PIR sensor is triggered. The product is powered by one battery that recharges via the integrated solar panel during the daylight hours.

The product has an IP44 ingress protection rating. It is splash proof and suitable for outdoor use. Do not submerge!

For safety and approval purposes, you must not rebuild and/or modify this product. If you use the product for purposes other than those described above, the product may be damaged. In addition, improper use can result in short circuits, fires or other hazards. Read the instructions carefully and store them in a safe place. Make this product available to third parties only together with its operating instructions.

This product complies with the statutory national and European requirements. All company names and product names are trademarks of their respective owners. All rights reserved.

Delivery content

- Solar wall light with PIR sensor (1x rechargeable battery inserted)
- 1x wall bracket
- 3x screws
- 3x dowels
- Operating instructions

Up-to-date operating instructions

Download the latest operating instructions at www.conrad.com/downloads or scan the QR code shown. Follow the instructions on the website.



Explanation of symbols



The symbol with the exclamation mark in the triangle is used to indicate important information in these operating instructions. Always read this information carefully.



This product is constructed according to protection class III.



The arrow symbol indicates special information and advice on operation.

Safety instructions



Read the operating instructions carefully and especially observe the safety information. If you do not follow the safety instructions and information on proper handling in this manual, we assume no liability for any resulting personal injury or damage to property. Such cases will invalidate the warranty/guarantee.

a) General information

- The device is not a toy. Keep it out of the reach of children and pets.
- Do not leave packaging material lying around carelessly. This may become dangerous playing material for children.
- Protect the product from extreme temperatures, strong jolts, flammable gases, steam and solvents.
- Do not place the product under any mechanical stress.
- If it is no longer possible to operate the product safely, take it out of operation and protect it from any accidental use. Safe operation can no longer be guaranteed if the product:
 - is visibly damaged,
 - is no longer working properly,
 - has been stored for extended periods in poor ambient conditions or
 - has been subjected to any serious transport-related stresses.
- Please handle the product carefully. Jolts, impacts or a fall even from a low height can damage the product.
- Do not short circuit the battery terminals
- Consult an expert when in doubt about the operation, safety or connection of the product.
- Maintenance, modifications and repairs must only be completed by a technician or an authorised repair centre.
- If you have questions which remain unanswered by these operating instructions, contact our technical support service or other technical personnel.

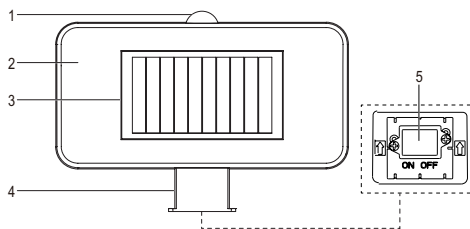
b) LED light

- Attention, LED light:
 - Do not look directly into the LED light!
 - Do not look into the beam directly or with optical instruments!

c) Rechargeable batteries

- Correct polarity must be observed while inserting the rechargeable battery.
- The rechargeable battery should be removed from the device if it is not used for a long period of time to avoid damage through leaking. Leaking or damaged rechargeable batteries might cause acid burns when in contact with skin, therefore use suitable protective gloves to handle corrupted (rechargeable) batteries.
- Rechargeable batteries must be kept out of reach of children. Do not leave rechargeable batteries lying around, as there is risk, that children or pets swallow them.
- Rechargeable batteries must not be dismantled, short-circuited or thrown into fire. Never recharge nonrechargeable batteries. There is a risk of explosion!

Operating elements



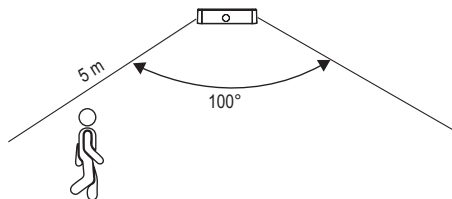
- 1 PIR sensor cover
- 2 Lamp case
- 3 Solar panel
- 4 Lamp base
- 5 ON/OFF switch

Location

- To optimize charging, place the solar panel (3) in a location exposed to maximum sunlight. Do not set up the solar panel in the shade or under any cover.
- Do not install the product in the direct proximity of other light sources such as yard or street lights, otherwise the product will not switch on automatically at nightfall.
- The product is suitable for use in unprotected outdoor areas. Do not submerge!

Installation

a) Motion detection sensor



Motion detection:

- Works best when the subject walks across the sensor.
- Does not work well behind glass.

b) Mounting

This product comes with a wall mount kit and is designed to be mounted on wall.



When drilling or tightening screws, make sure there are no cables, wires, or pipes located underneath the surface. Inadvertently drilling through electric cables can cause life-threatening electric shock!

Check if the supplied screws are suitable for the mounting surface material. If in doubt consult a professional.

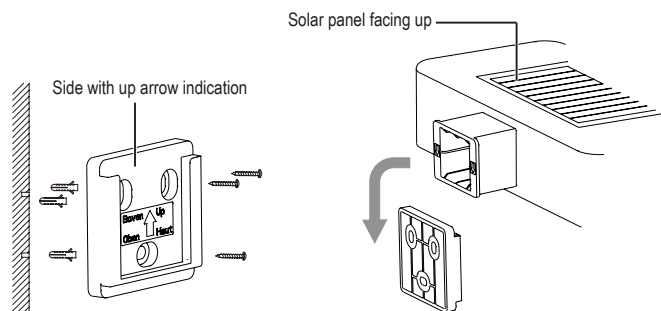
1. Select a wall surface 2.5 - 3 m above ground level. According to three screw holes on the supplied wall bracket, mark three spots on the wall.
2. Using a drill, bore three holes on the marked spots.
3. Correctly orientate the bracket: the side with up arrow indication faces outward and the bracket edge indicated by up arrow direction faces up.

Then secure three supplied dowels into the three drilled holes, and secure three supplied screws into the three dowels separately.

4. Attach the lamp case (2) onto the wall bracket.

Align the lamp case horizontally on the top of the bracket while ensuring the solar panel (3) faces up. Then slide the lamp base (4) all the way into the grooves of the bracket.

To remove the lamp case from the bracket, simply slide the lamp case up out of the grooves of the bracket.



Solar charging

When using for the first time or after prolonged periods of low sunlight, you should fully recharge the battery.

- The product must be switched on for the battery to charge.
- Switch the product off before it gets dark to prevent the light from switching on and draining the battery.
- Switch the product back on after sunrise the next day to resume charging.

Operation

- When light level is ≤ 10 lux (e.g. at nightfall), the LED light turns on automatically (1x LED on).
- When the built-in motion sensor is triggered, the LED light gets brighter (5x LEDs on).
- When the ambient light reaches a certain brightness level, the LED light will turn off.

a) Motion sensor

- The motion detection will be activated when the light level is ≤ 10 lux.
- When motion detection is activated, 5x LED will stay on for a short period after the motion stops. After that, 1x LED stays on during darkness.

b) Notes on battery use and charging

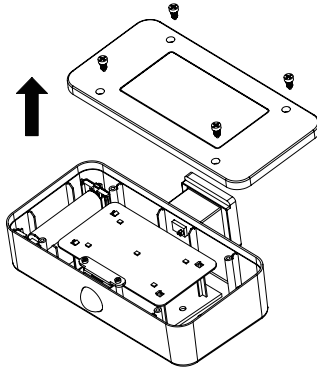
- The battery can be fully charged for eight hours in sunny weather, which can light the product for approximately eight hours.
- Keep the solar panel clean. Dust and dirt covering the solar panel reduces charging efficiency.
- During extended periods without sufficient sunlight for solar charging, it is possible that the rechargeable battery will completely discharge. Rechargeable batteries can get damaged if left with no charge for some time. It is recommended to switch the power off so the battery does not completely discharge.
- Cold temperatures adversely affect the battery life. To ensure long, error-free operation, we recommend switching the power off and storing the product in a dry, warm location when not in use. Switch the product off for this purpose.
- You can remove the rechargeable battery before storing the product and charge them with a suitable charger. Observe all relevant information provided in these operating instructions regarding removing or replacing the rechargeable battery.

c) Remove/Insert rechargeable battery

→ Replace the rechargeable battery if the illumination time reduces significantly despite the battery being sufficiently charged.

When replacing the rechargeable battery, make sure no moisture enters the battery compartment.

1. Remove the lamp case (2) from the wall bracket (see section "Installation - b) Mounting").
2. Switch the product OFF (5).
3. Loosen the four screws on the bottom cover of the lamp case using a suitable screwdriver. Then remove the bottom cover.
4. Replace the battery matching the polarity shown inside the compartment.



Only use rechargeable battery of the same type and specification as indicated in the section "Technical data".

Make sure the cable connection is not damaged when replacing the battery and the bottom cover.

5. Replace and tighten the bottom cover with the four screws. Then put the lamp case back onto the bracket (see section "Installation - b) Mounting").

Troubleshooting

Problem	Solution
The light does not turn on automatically.	<ul style="list-style-type: none"> • There is a nearby light source which causes interference with the product. Make sure the product is placed in darkness to activate the light. • The ON/OFF switch is in the OFF position. Adjust the switch to the ON position.
The light stays on for short periods.	<ul style="list-style-type: none"> • Long periods of low sunlight (e.g. cloudy weather or in winter) will cause the battery to recharge less during the day. We recommend using a commercially available charger to charge the battery. • The battery is old and cannot store sufficient charge. Replace with new one. • See sections "Solar charging" and "Operation - b) Notes on battery use and charging".
The light gets brighter.	<ul style="list-style-type: none"> • Motion detection is activated and this turns all five LEDs on. A short period later after the motion stops, only one LED stays on.

Care and cleaning

- Do not use any aggressive cleaning agents, rubbing alcohol or other chemical solutions as they can cause damage to the housing and malfunctioning.
- Never point a water jet, e.g. of a high-pressure cleaning device, at the product.
- Besides occasional cleaning, the product is maintenance-free.
- Let the product cool down sufficiently before cleaning.
- Use a clean, soft and dry cloth to clean the housing. For more stubborn dirt, slightly moisten the cloth with lukewarm water.
- If necessary, remove any dust from the solar panel, as the charging current could otherwise decrease.

Disposal

a) Product



Electronic devices are recyclable waste and must not be disposed of in the household waste. At the end of its service life, dispose of the product in accordance with applicable regulatory guidelines.

Remove the rechargeable battery and dispose of it separately from the product.

b) Rechargeable battery



You as the end user are required by law (Battery Ordinance) to return all used rechargeable batteries. Disposing of them in the household waste is prohibited.

Contaminated rechargeable batteries are labeled with this symbol to indicate that disposal in the domestic waste is forbidden. The designations for the heavy metals involved are: Cd = Cadmium, Hg = Mercury, Pb = Lead (name on rechargeable batteries, e.g. below the trash icon on the left).

Used rechargeable batteries can be returned to collection points in your municipality, our stores or wherever rechargeable batteries are sold.

You thus fulfill your statutory obligations and contribute to the protection of the environment.

Technical data

Power supply	3.7 V, 1300 mAh Li-ion, 18650 rechargeable battery
Power consumption	5 x 0.5 W
Solar panel	5 V, 150 mA, monocrystal
Illuminant type	LED
LED quantity	5 pcs
LED service life	25000 hours
Charging time	8 hours (in optimum conditions)
Illumination time	max. 8 hours with fully charged battery
Light output	max. 70 lm
Light activation threshold	≤10 lux
Motion detection threshold	≤10 lux
PIR sensor	Detection angle: 100°, Detection range: max. 5 m
Colour temperature	5000 K
Ingress protection	IP44
Protection class	III
ON/OFF switch	Yes
Material	ABS + PC
Operating/Storage conditions	-20 to +40 °C, ≤100 % RH (non-condensing)
Dimensions (W x H x D)	200 x 145 x 50 mm
Weight	450 g