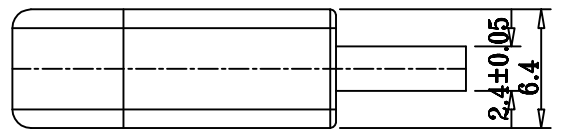
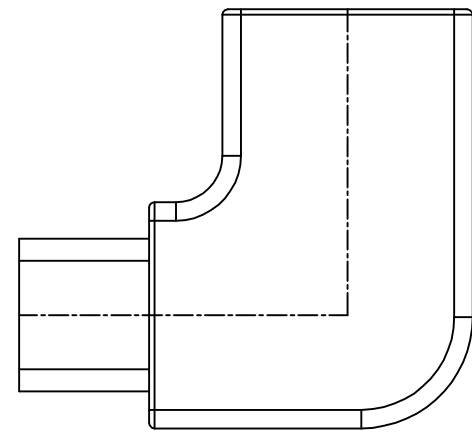
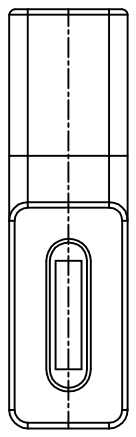
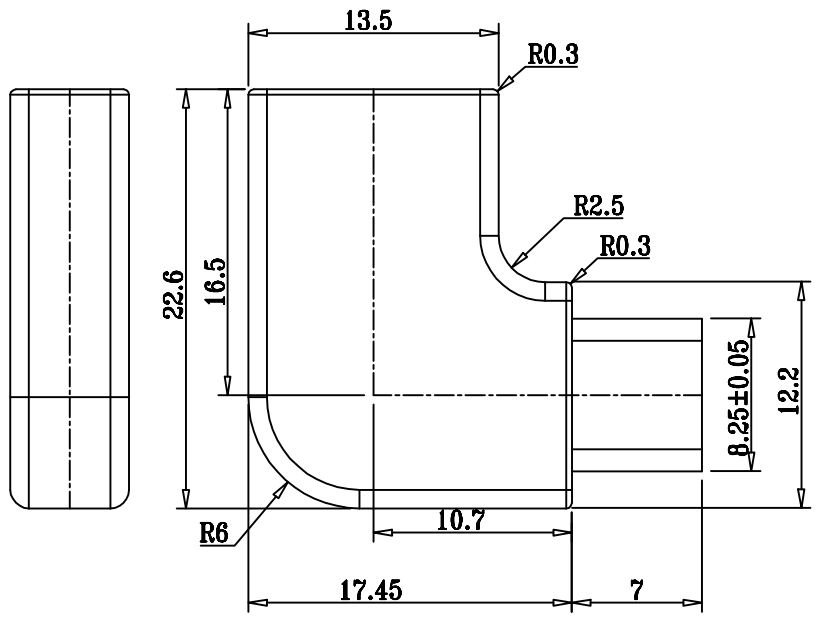
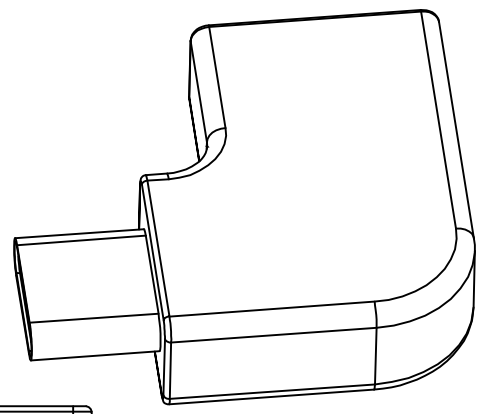
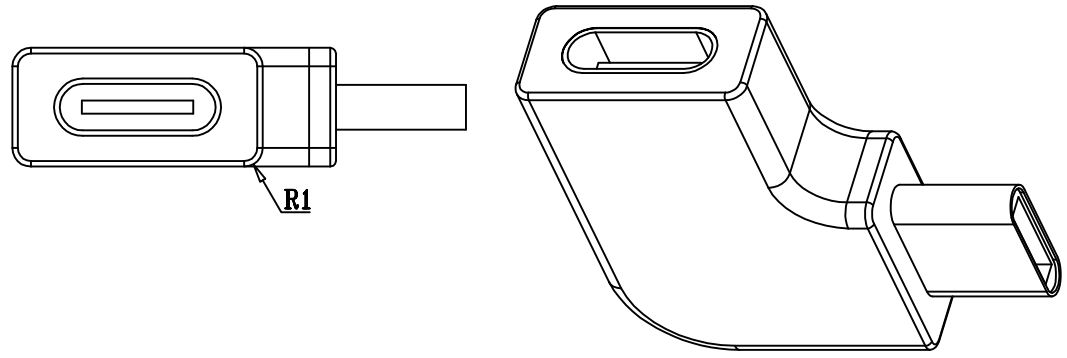

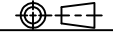


CONFIGURATION DETAILS OF
UNDIMENSIONED FEATURES
MAY VARY

REVISIONS			
REV	DESCRIPTION	DATE	APPROVED
A0		2023/02/08	



NAME	VALUE USB 3.1 Type C Adapter, C-C, M/F, 90° Angled, black		
ITEM NO.	12.99.2996		
	MAPE	TOLERANCE	
		X.	±1.00
DRAW BY	SCALE	MM	
	PAGE	1/1	