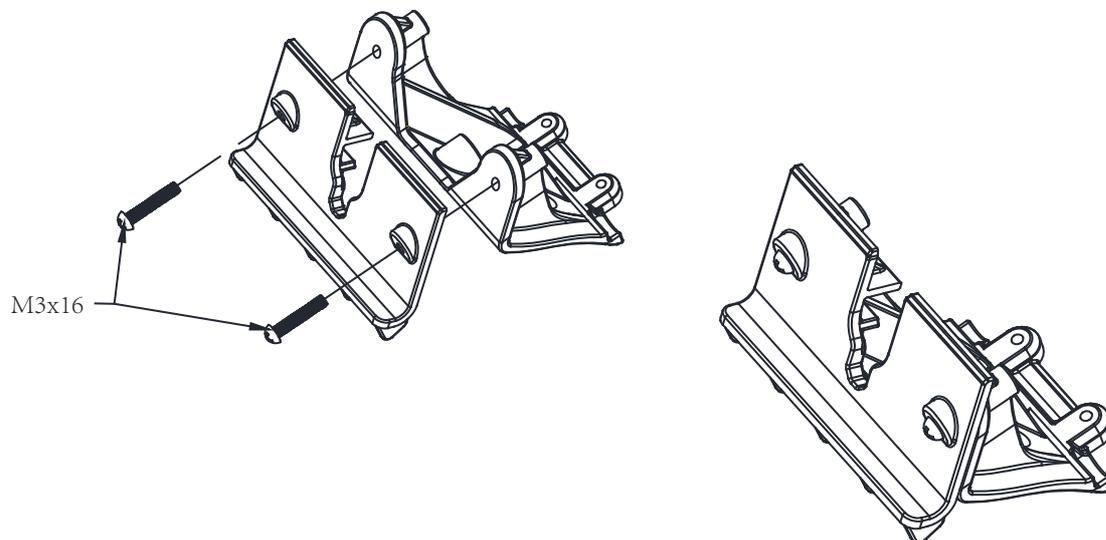


1

  M3x16 (2pcs)

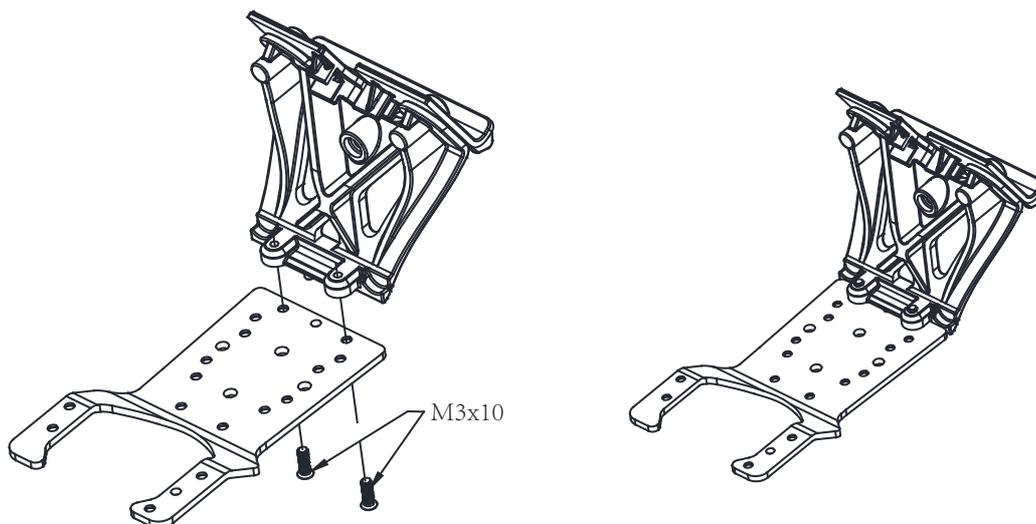
(A-1)



2

  M3x10(2pcs)

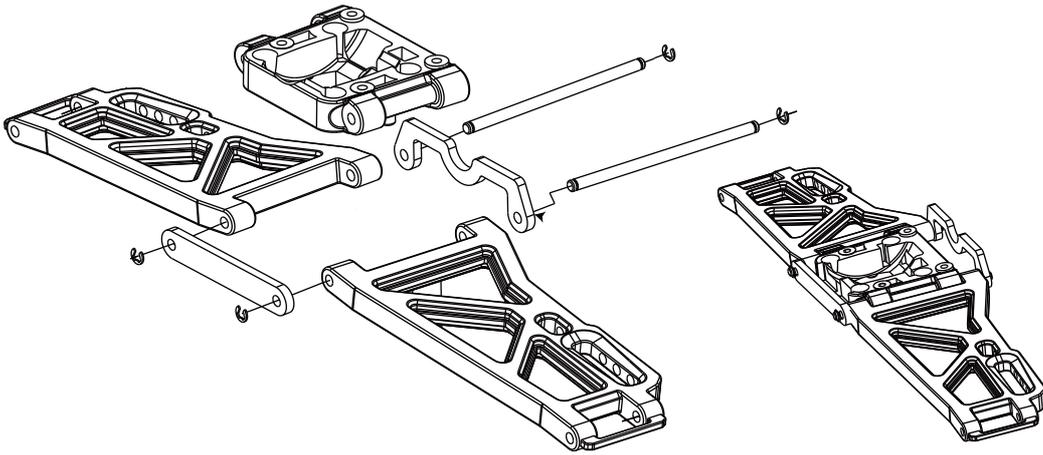
(A-2)



3

⌋ ⌋ M2.5 (4PCS)

(A-3)

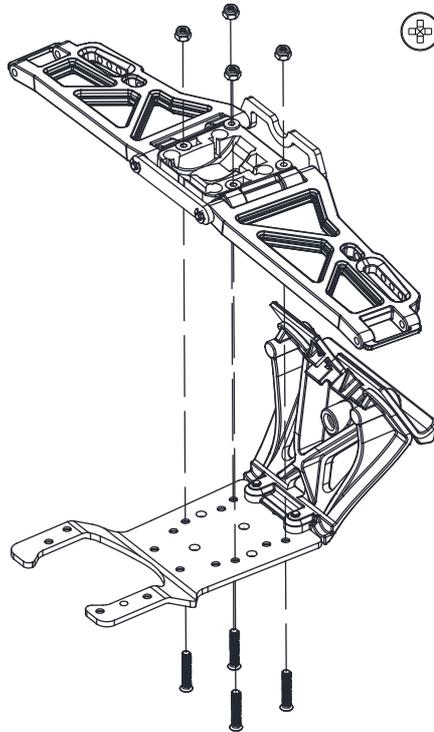


4

⌋ ⌋ M3 (4PCS)

(A-4)

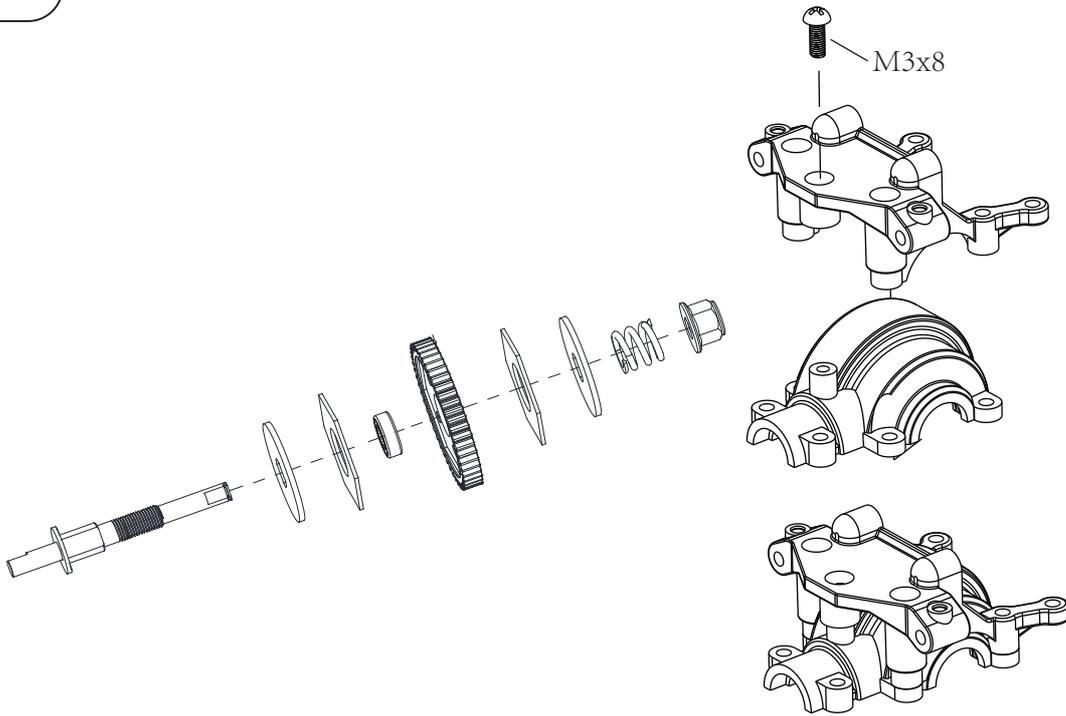
⌋ ⌋ M3x15 (4PCS)



5

M3x8 (1PC)

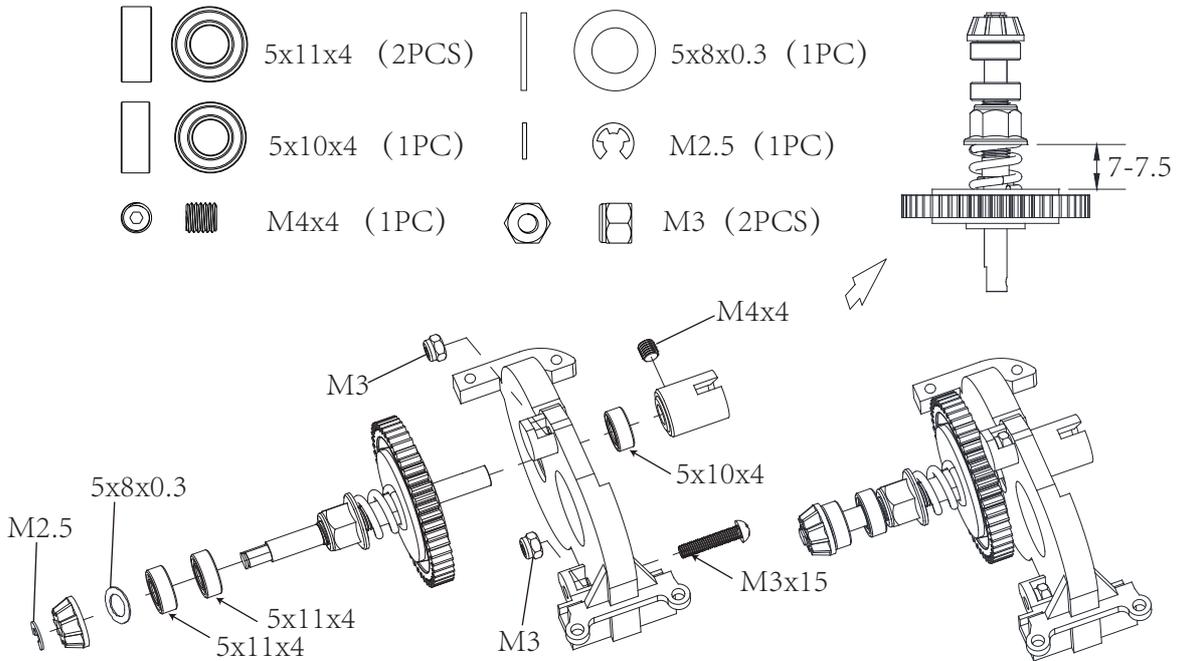
(B-1)



6

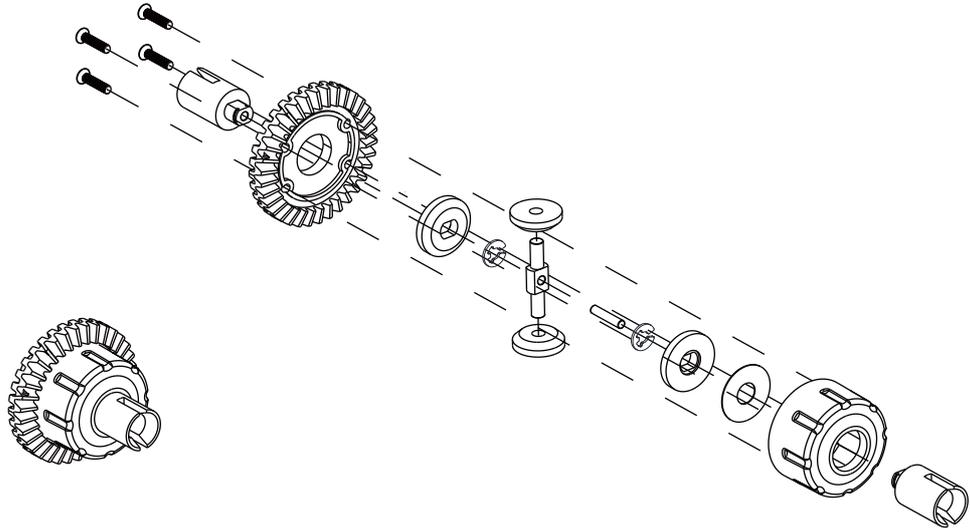
M3x15 (1PC)

(B-2)



7

(B-3)

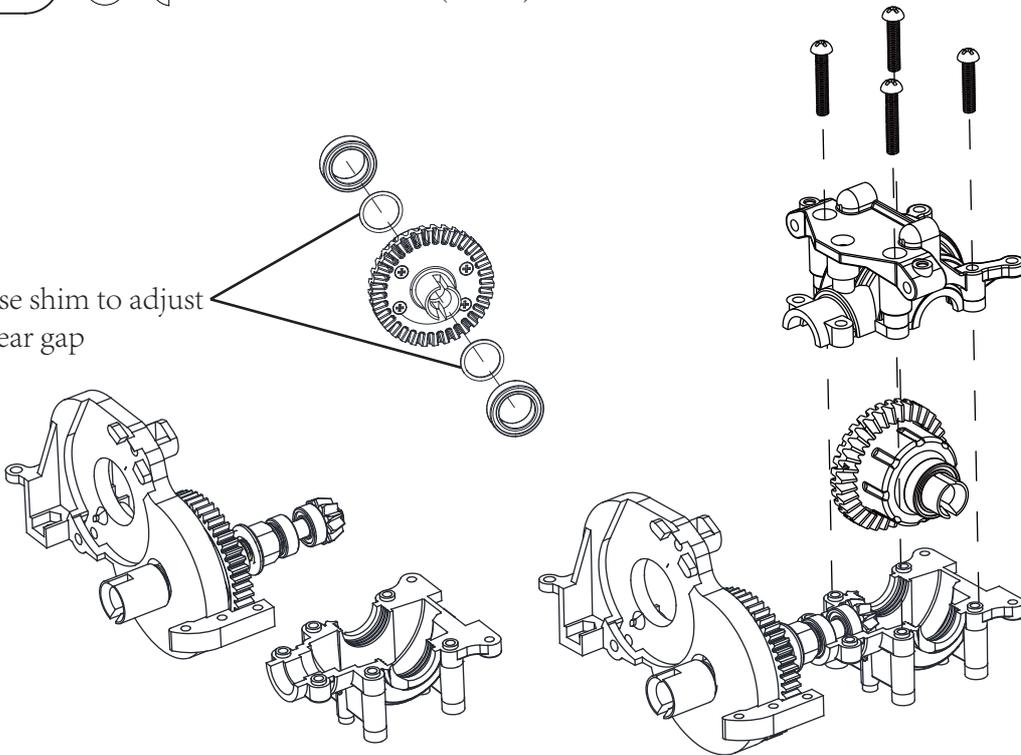


8

  M3x18 (4PCS)

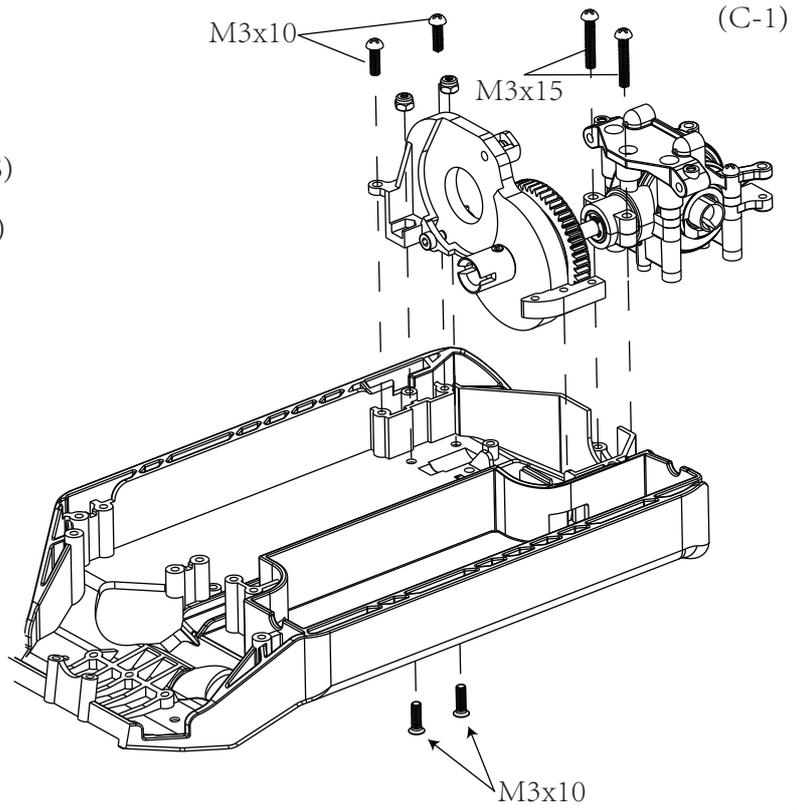
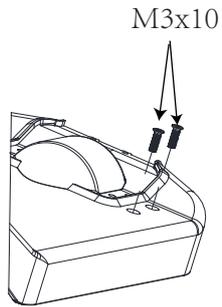
(B-4)

use shim to adjust gear gap



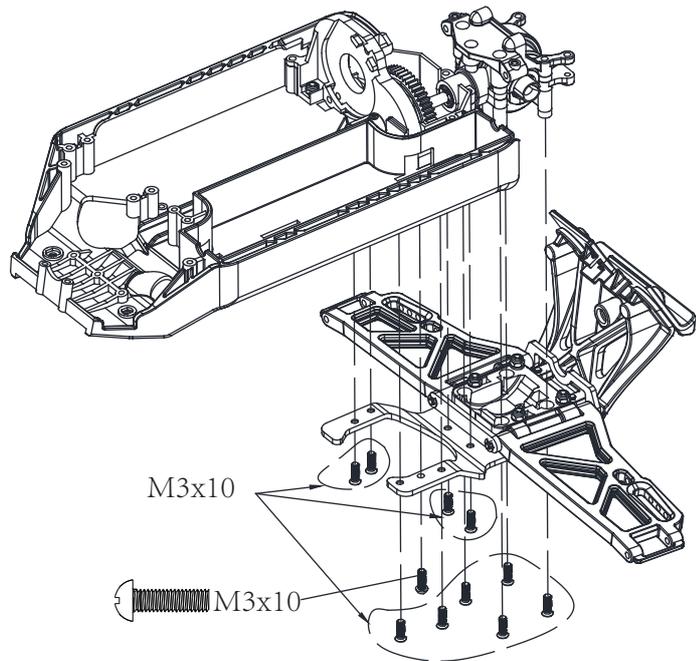
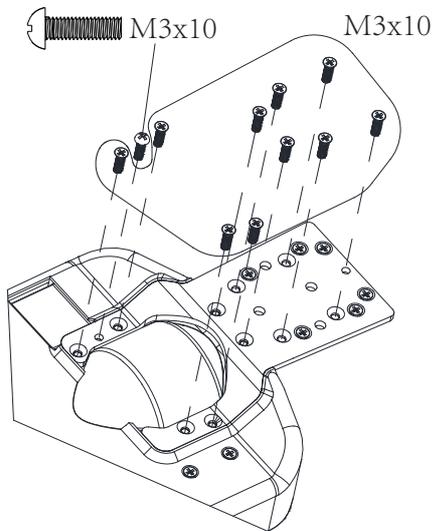
9

-   M3x15 (2PCS)
-   M3x10 (2PCS)
-   M3x10 (2PCS)
-   M3 (2PCS)



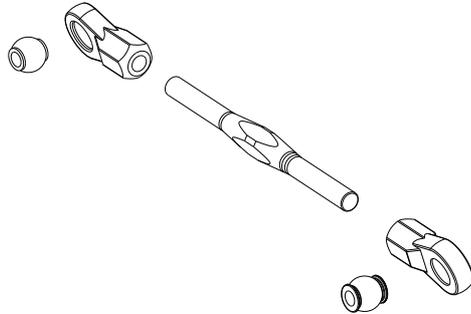
10

-   M3x10(10PCS)
-   M3x10 (1PC)



11

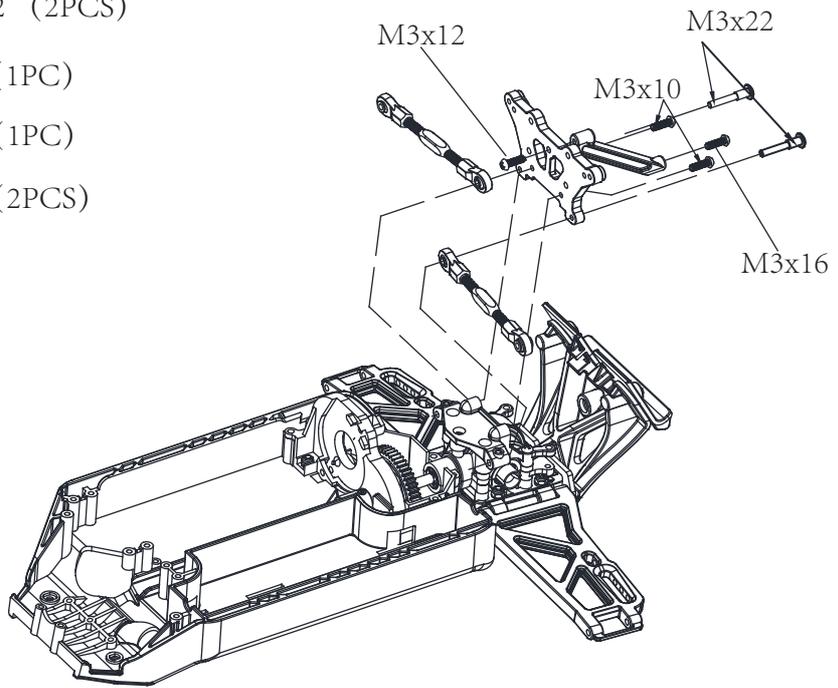
(D-1)



12

(D-2)

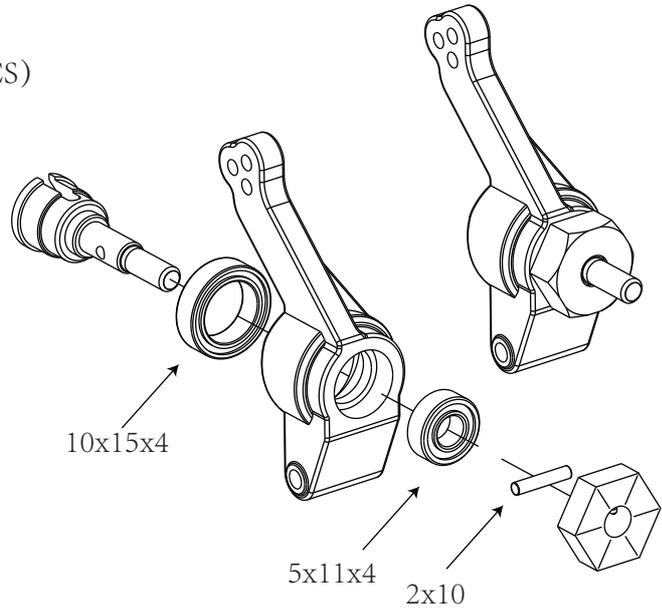
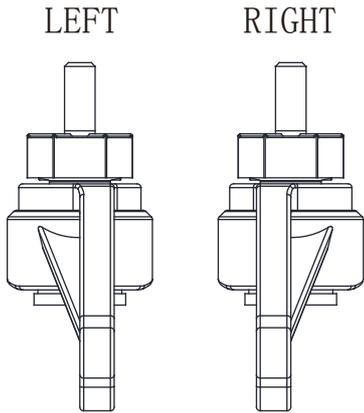
-  3x22 (2PCS)
-  M3x12 (1PC)
-  M3x16 (1PC)
-  M3x10 (2PCS)



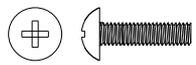
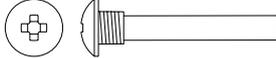
13

-  10x15x4 (2PCS)
-  5x11x4 (2PCS)
-  (2PCS)

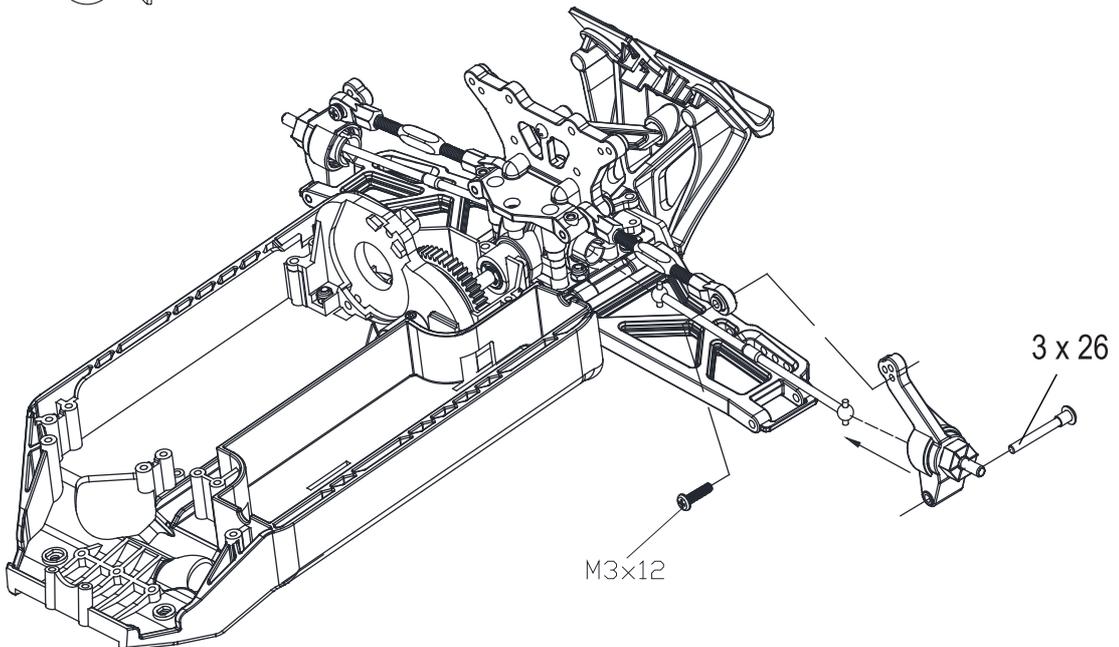
(E-1)



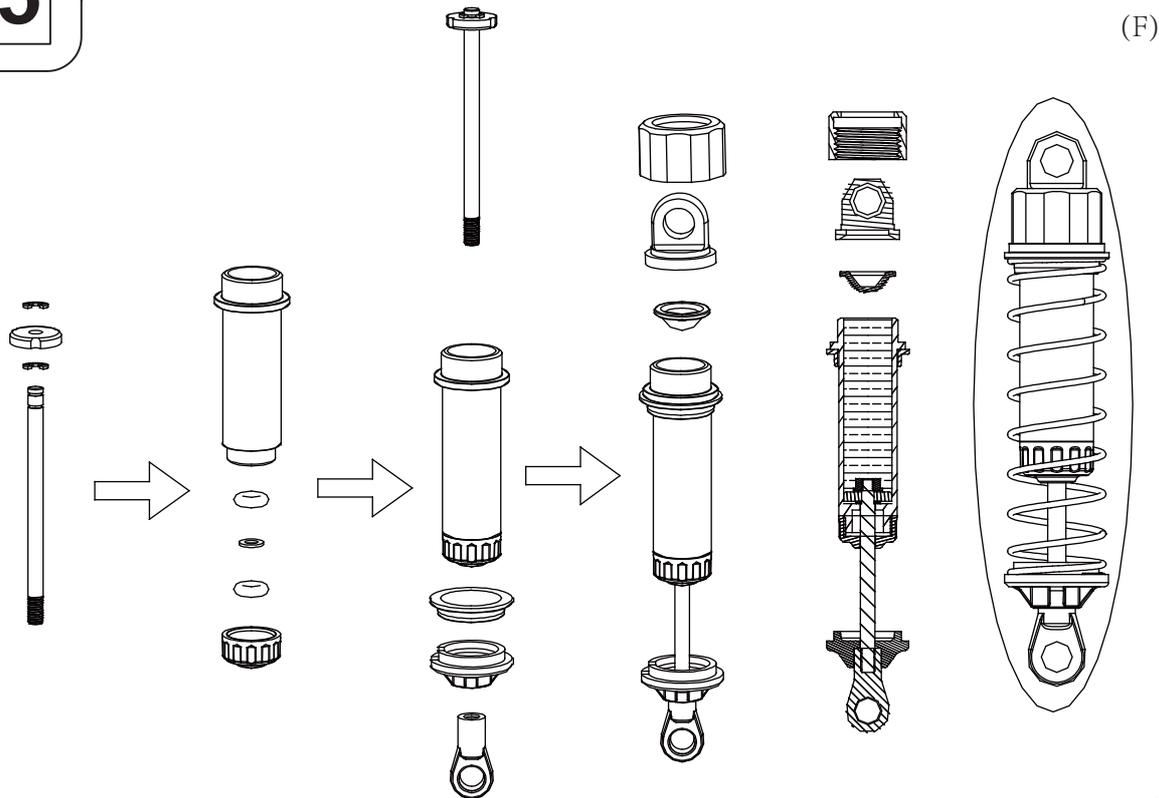
14

-  M3x12 (2PCS)
-  M3x26 (2PCS)

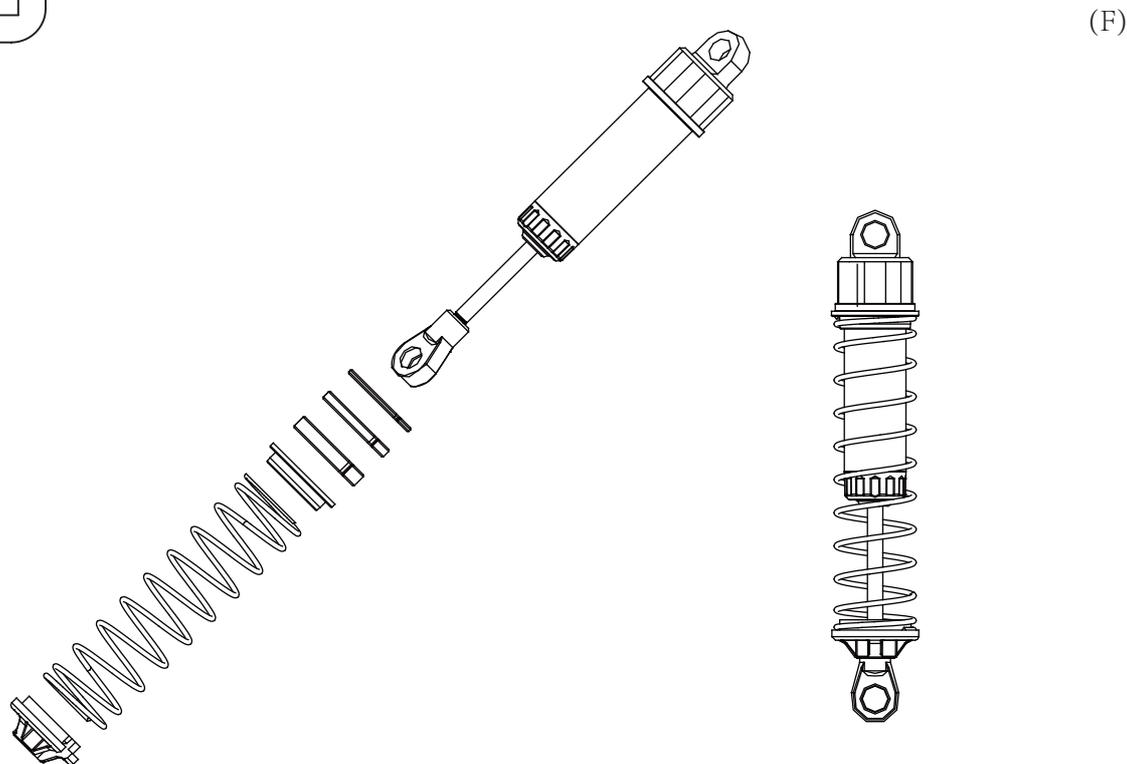
(E-2)



15



16

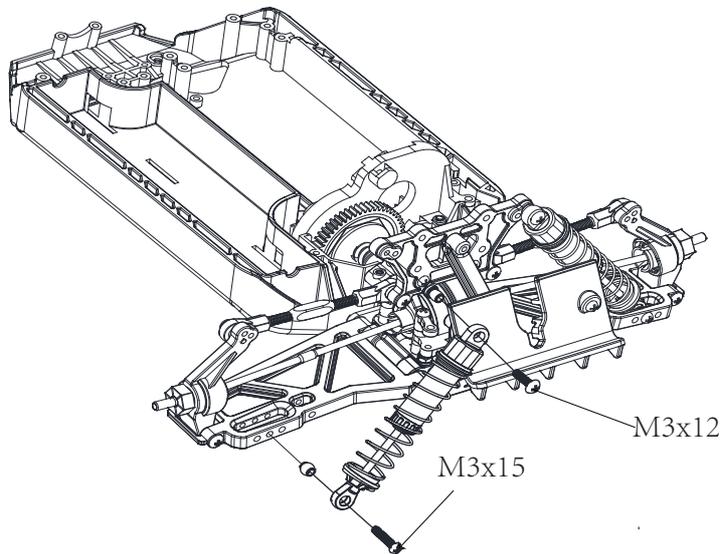


17

  M3x15 (2PCS)

(F-1)

  M3x12 (2PCS)

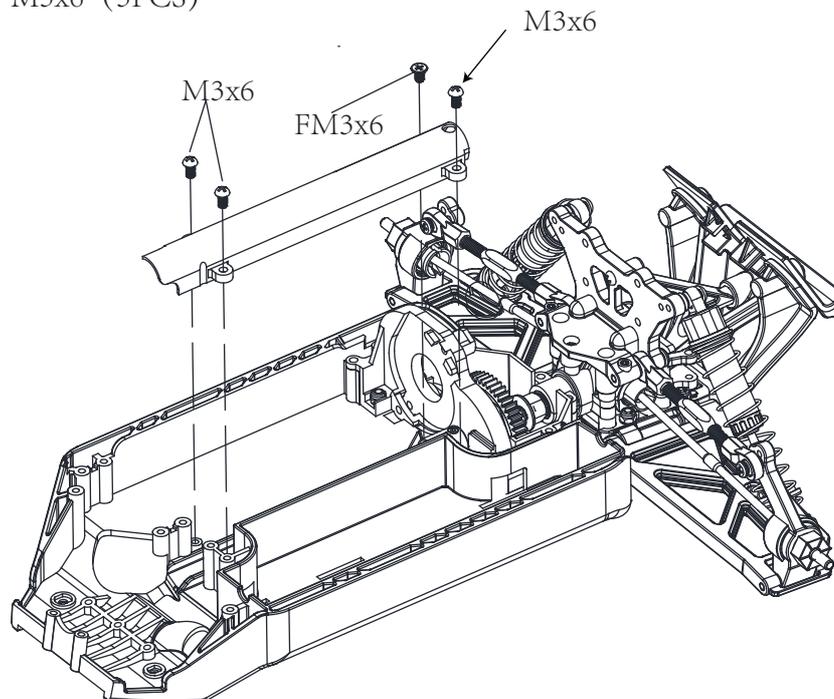


18

  fM3x6 (1PC)

(C、C-3)

  M3x6 (3PCS)

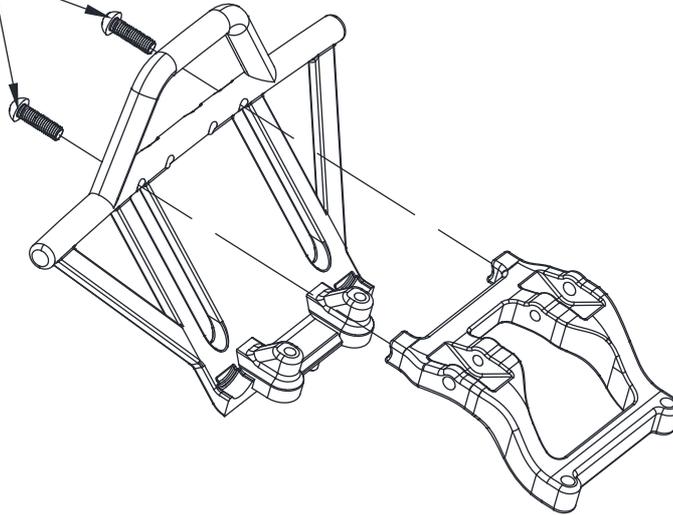


19

  M3x12 (2PCS)

(G-1)

front bumper
M3x12

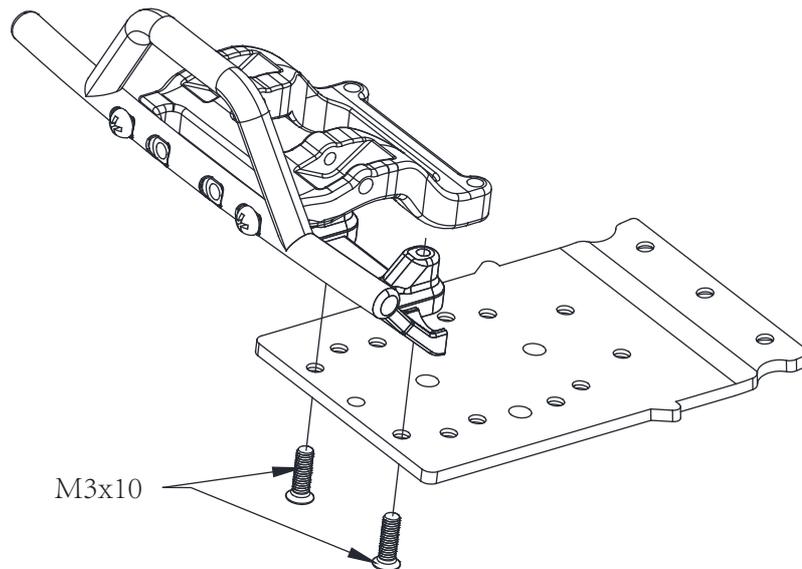


20

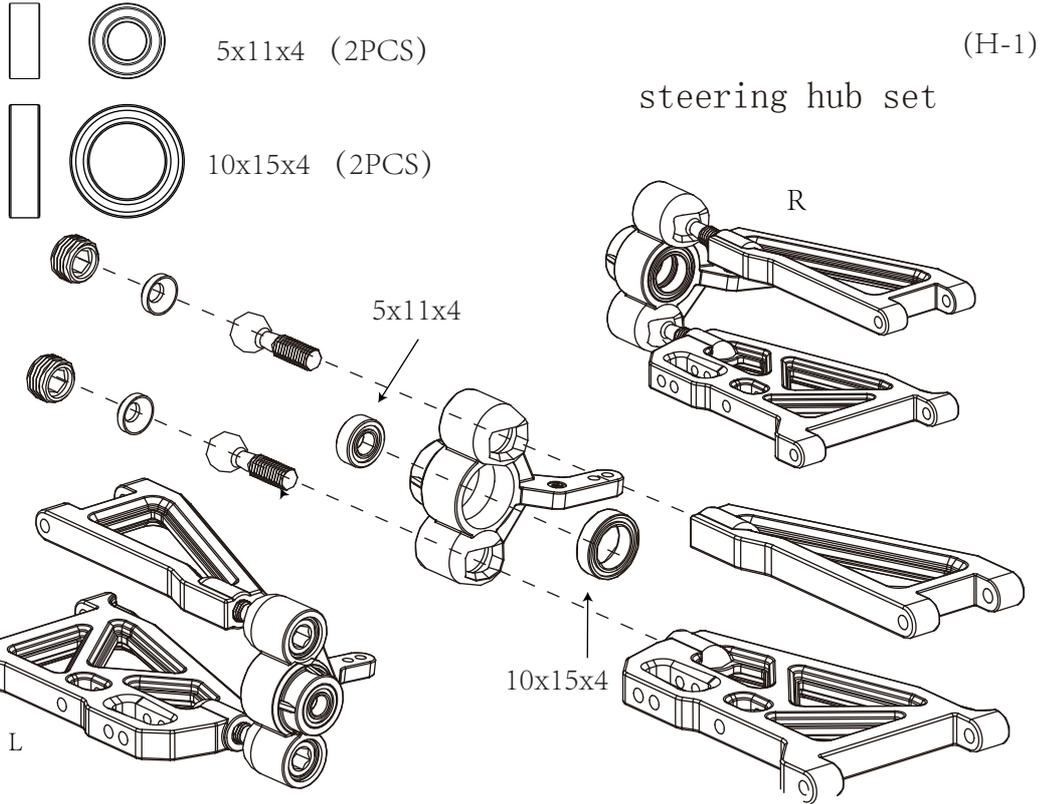
  M3x10 (2PCS)

(G-2)

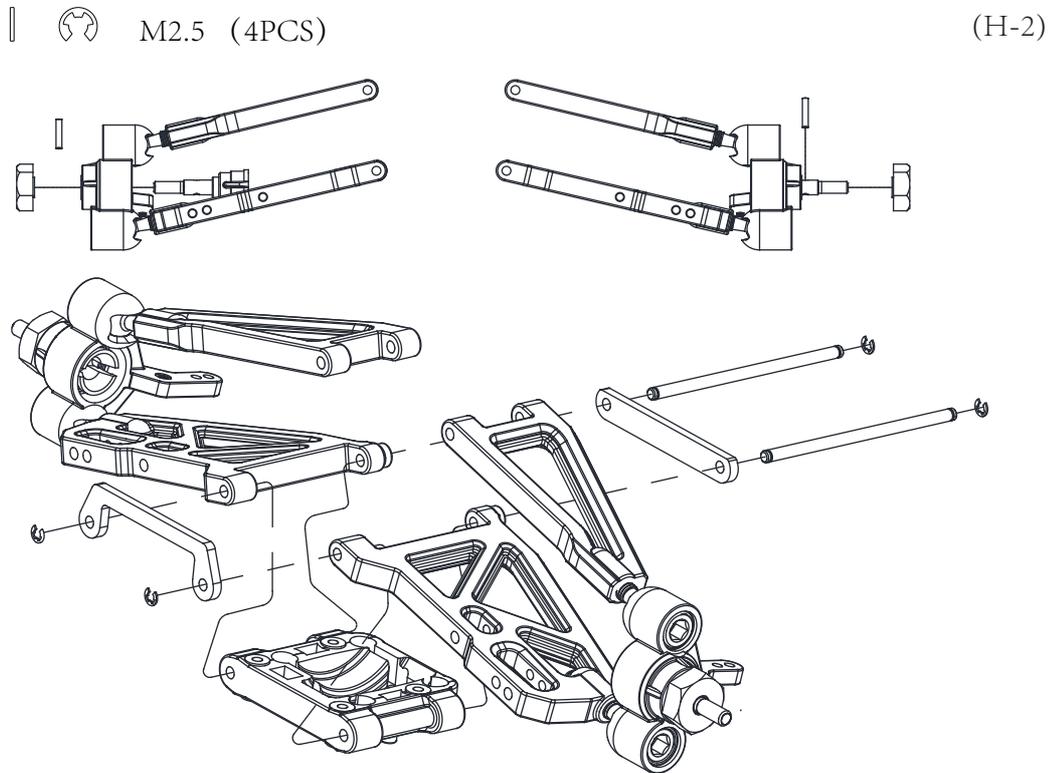
front bumper set



21



22

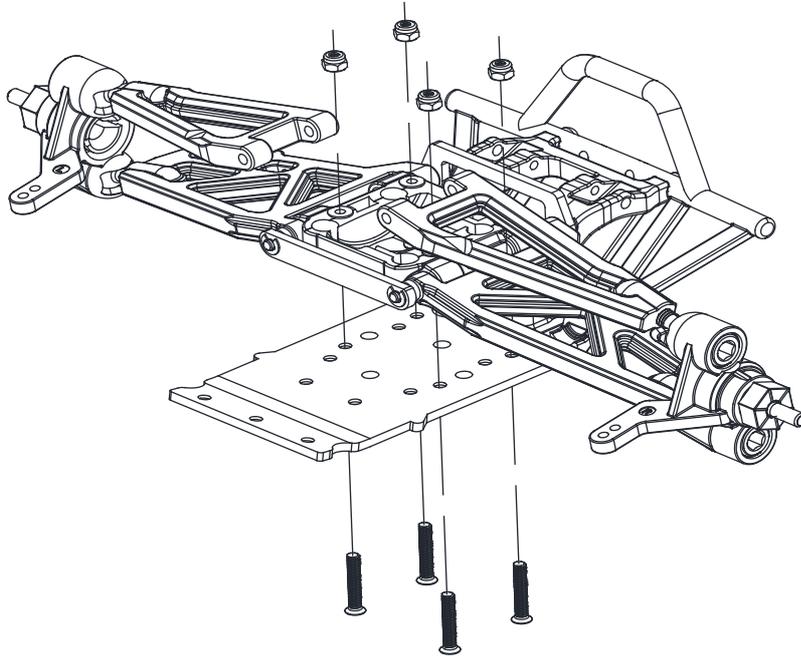


23

  M3 (4PCS)

(H-3)

 M3x15 (4PCS)

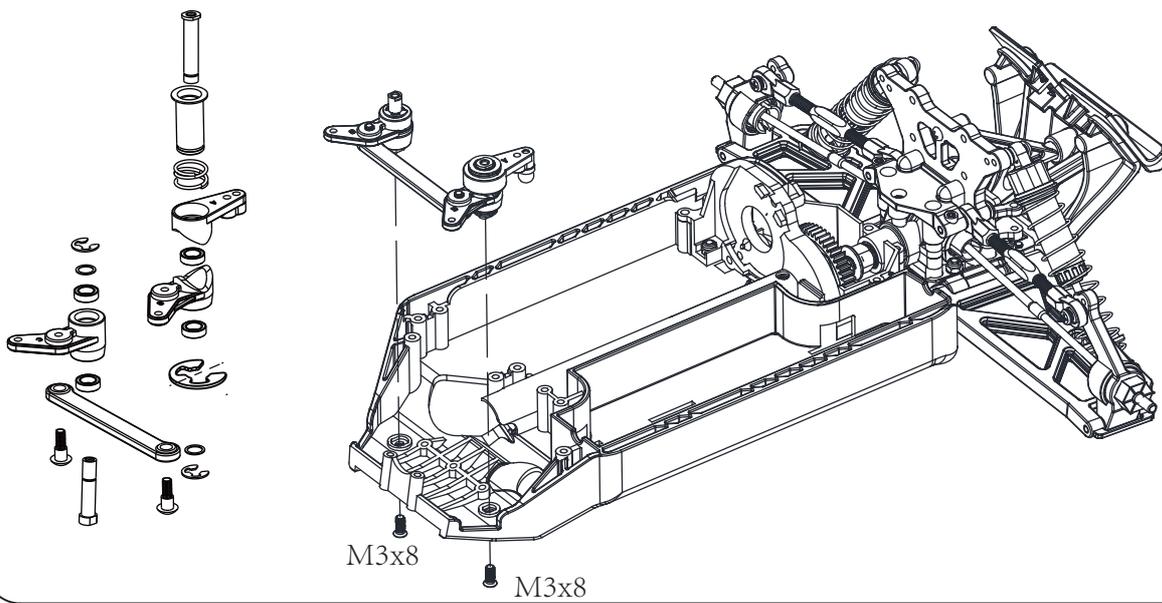


24

 M3x8 (2PCS)

(I)

buffer set



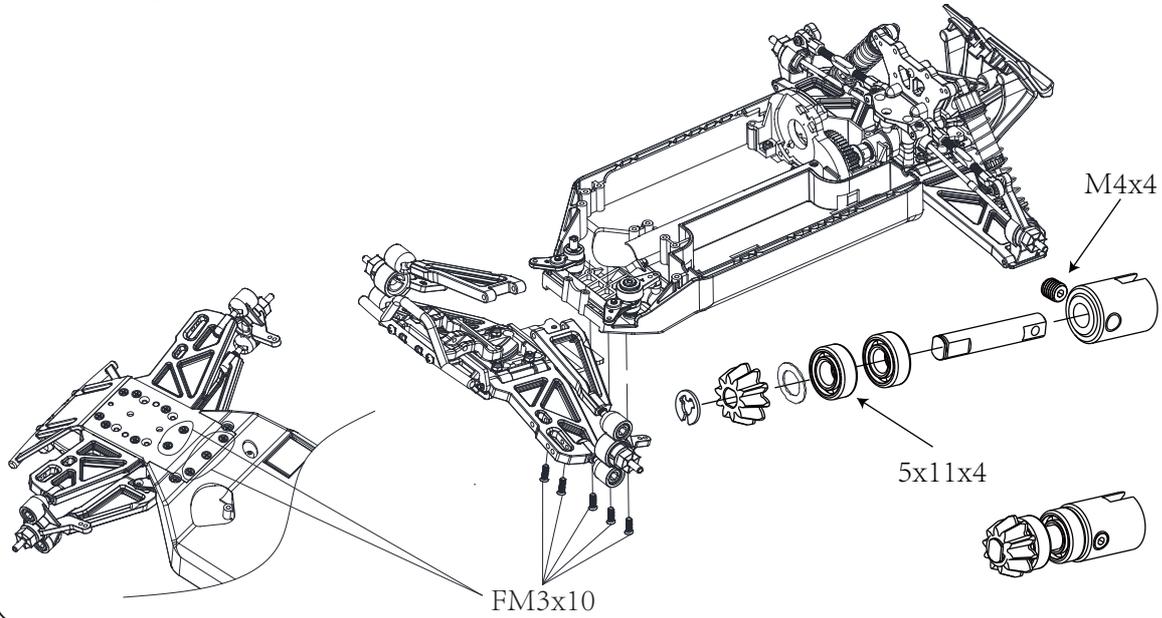
25

 M3x10 (5PCS)

(J)

 5x11x4 (2PCS)

 M4x4 (1PC)

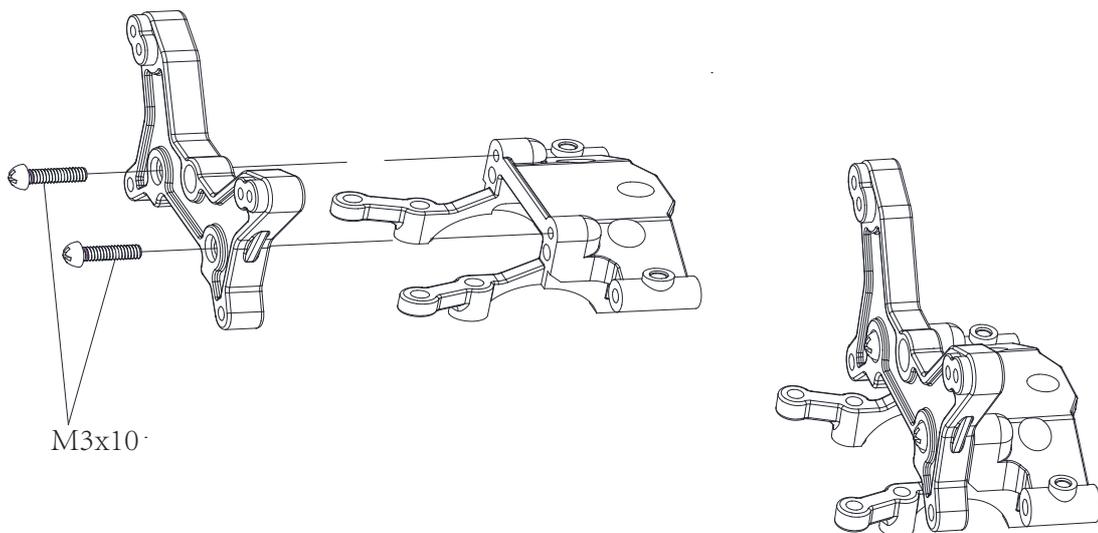


26

 M3x10(2PCS)

(K-1)

front shock plate set

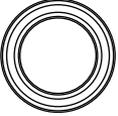


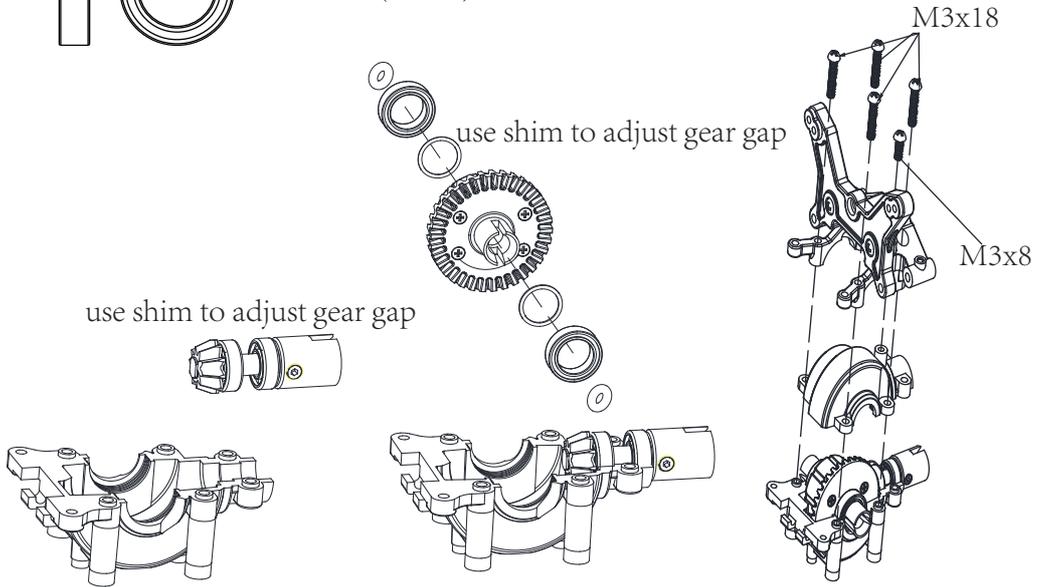
27

  M3x18 (4PCS)

(K-2)

  M3x8 (1PC)

  10x15x4 (2PCS)

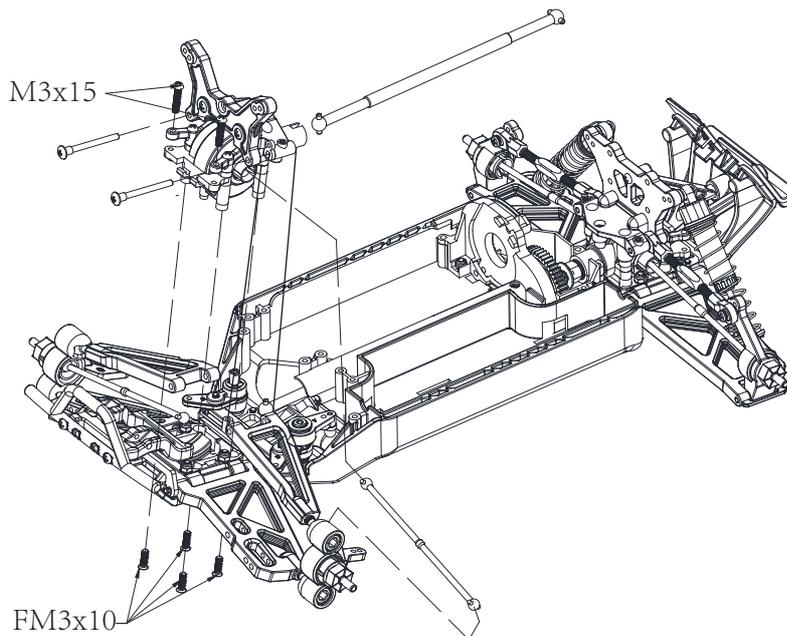


28

  M3x15 (2PCS)

(K-3)

  FM3x10 (4PCS)



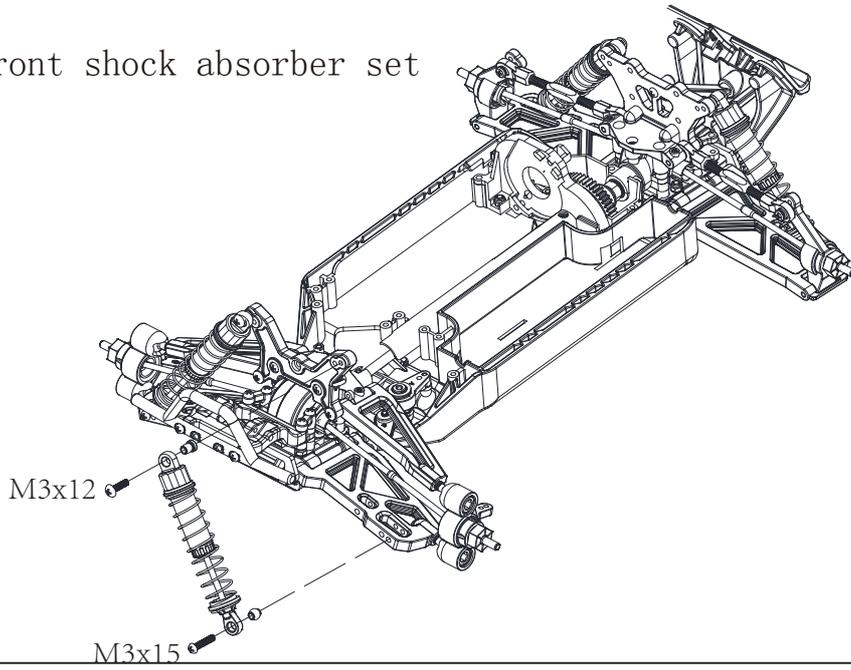
29

  M3x15 (2PCS)

(F)

  M3x12 (2PCS)

front shock absorber set

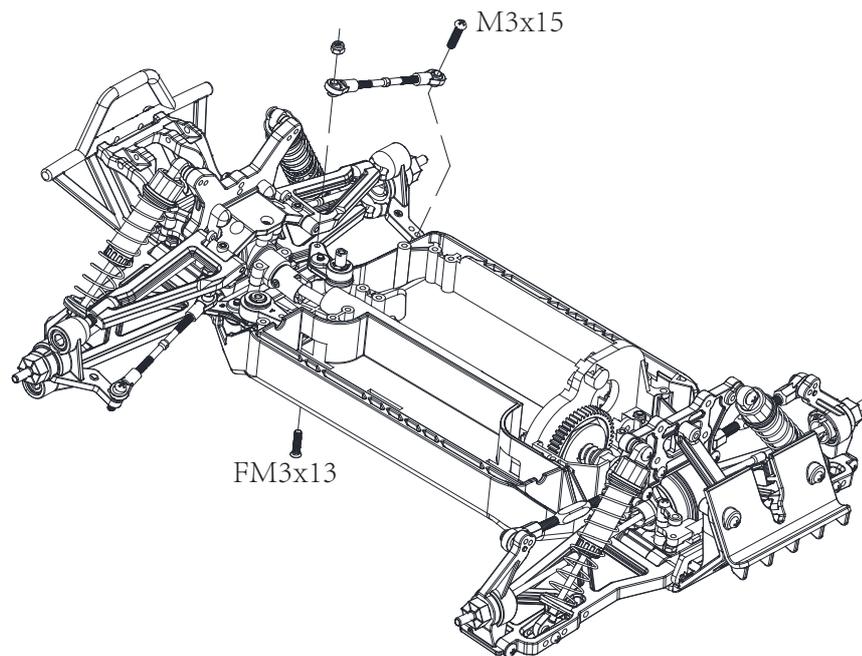


30

  M3x15 (2PCS)

(L-1)

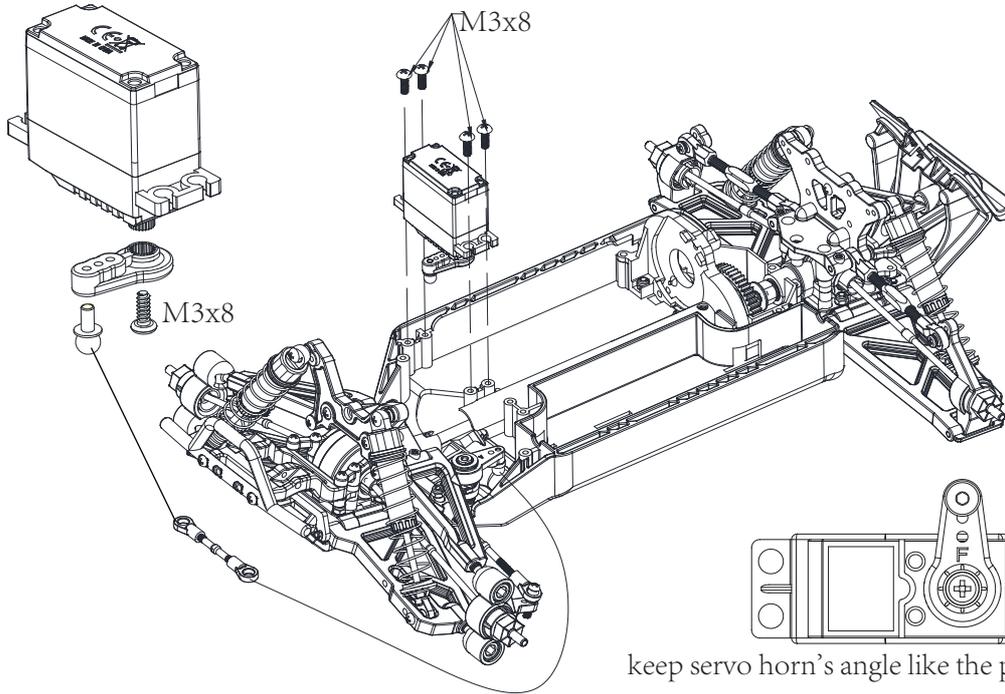
  FM3x13 (2PCS)



31

-   M3x8 (4PCS)
-   M3x8 (1PC)

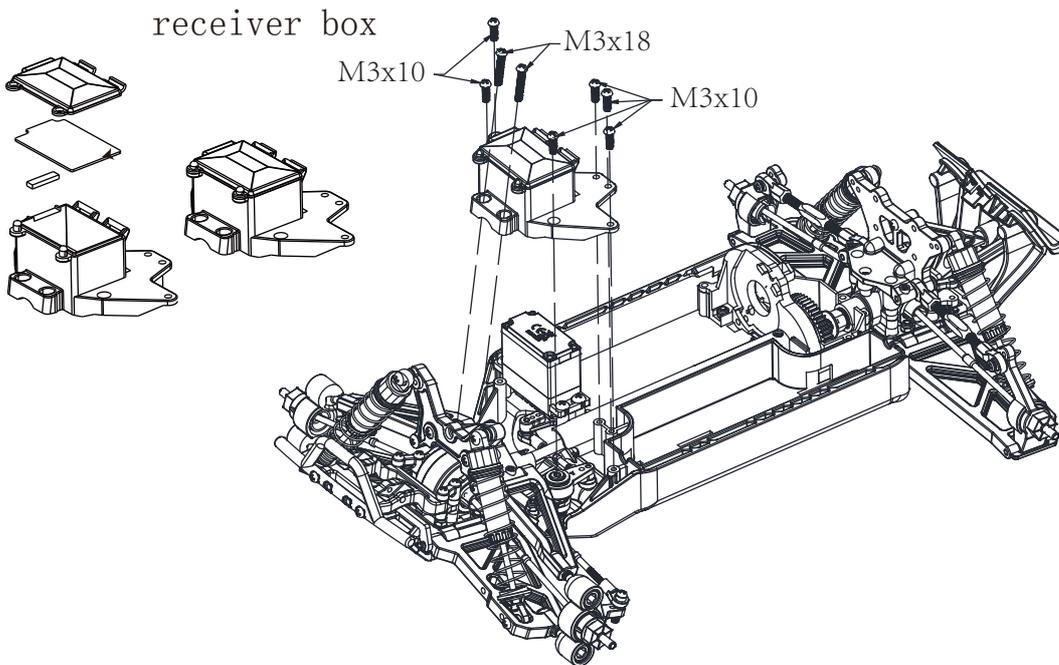
(L-2)



32

-   M3x18 (2PCS)
-   M3x3 (1PC)
-   M3x10 (6PCS)
-  (2PCS)

(M)

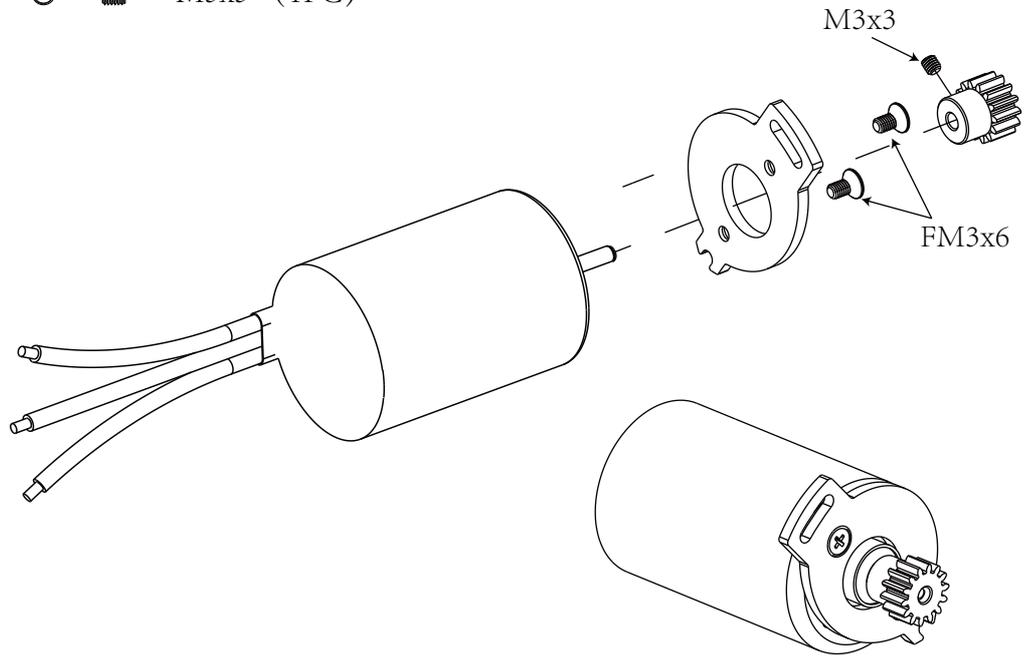


33

  FM3x6 (2PCS)

(N-1)

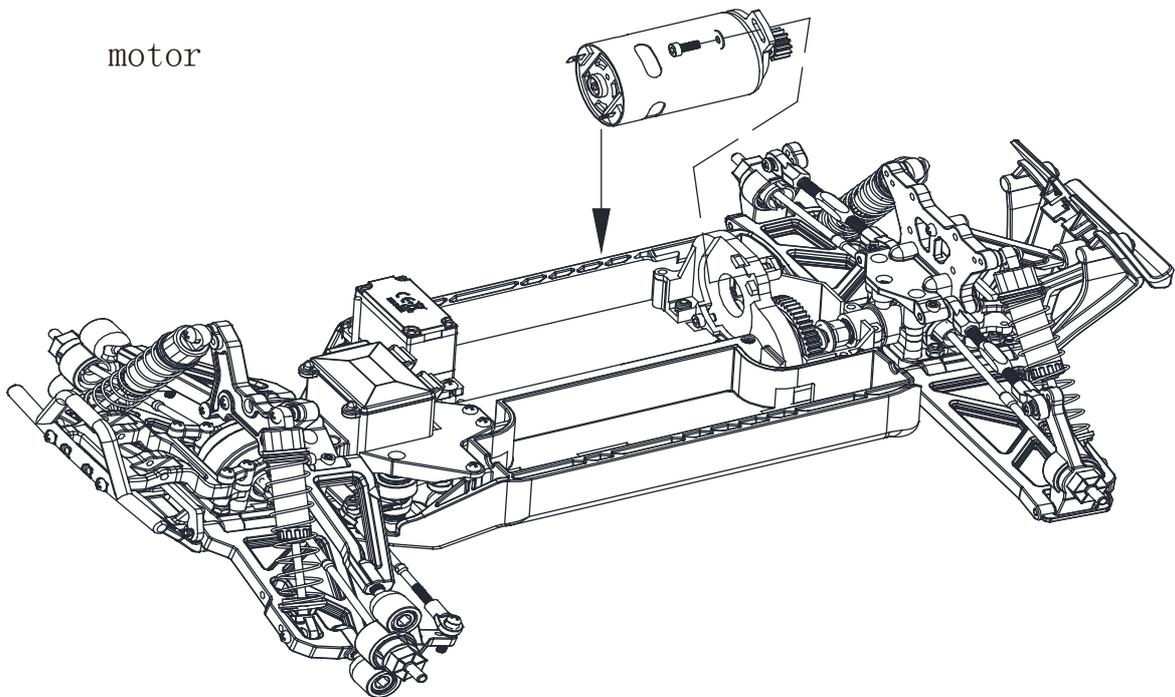
  M3x3 (1PC)



34

(N-2)

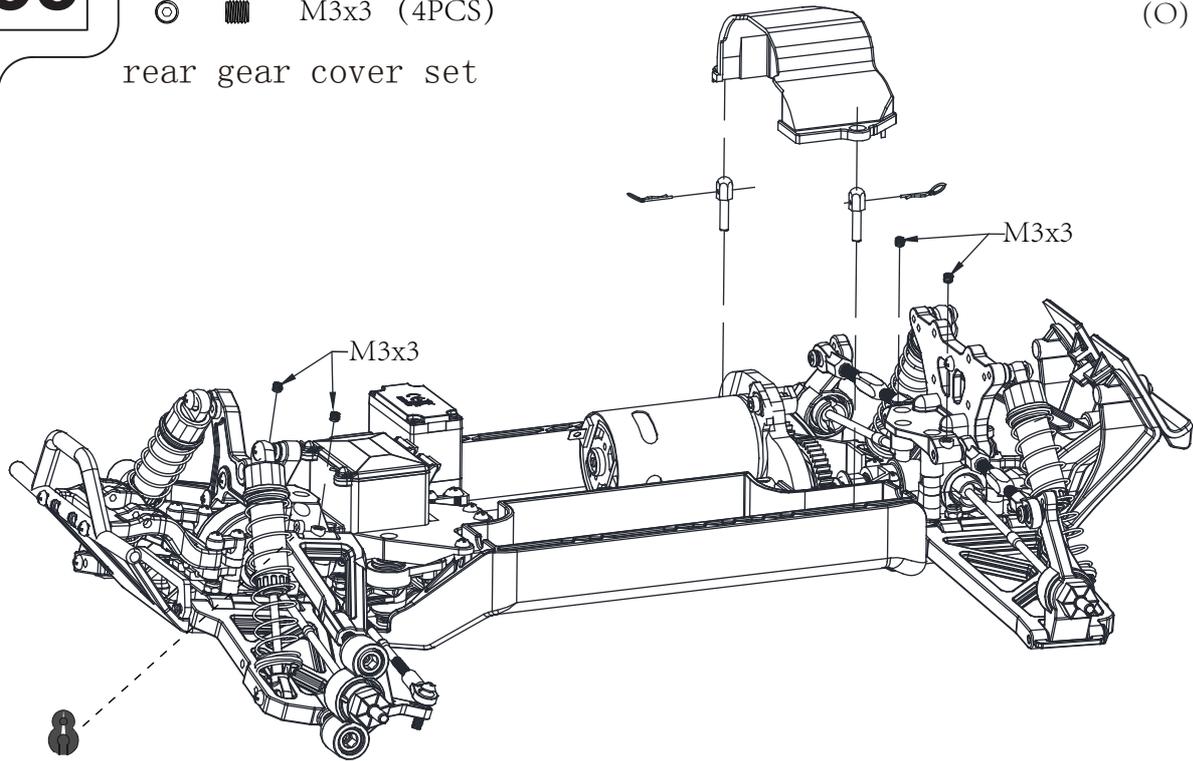
motor



35

⊙ ■ M3x3 (4PCS)
rear gear cover set

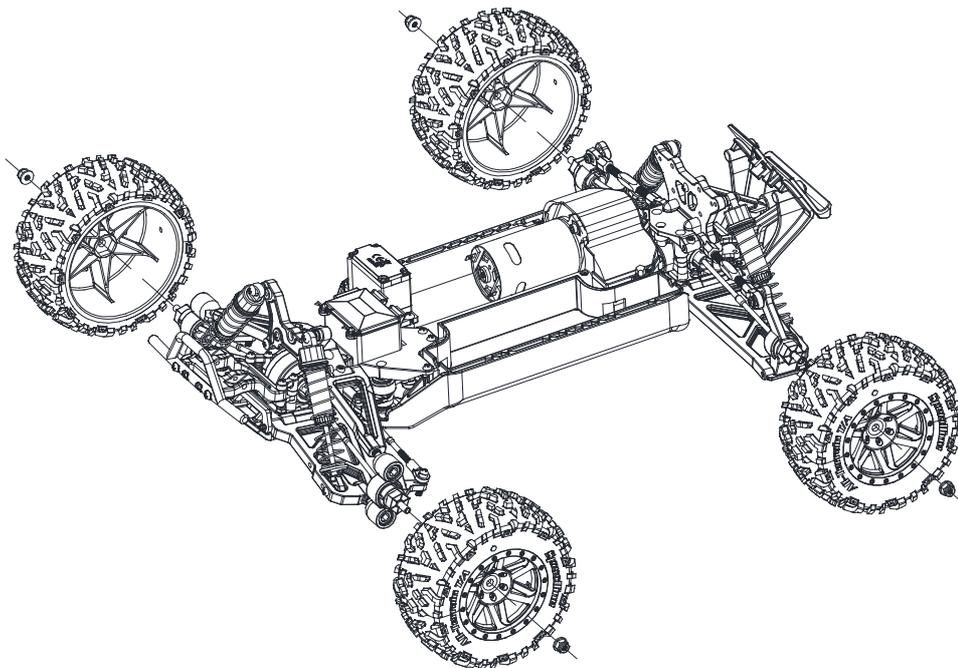
(O)

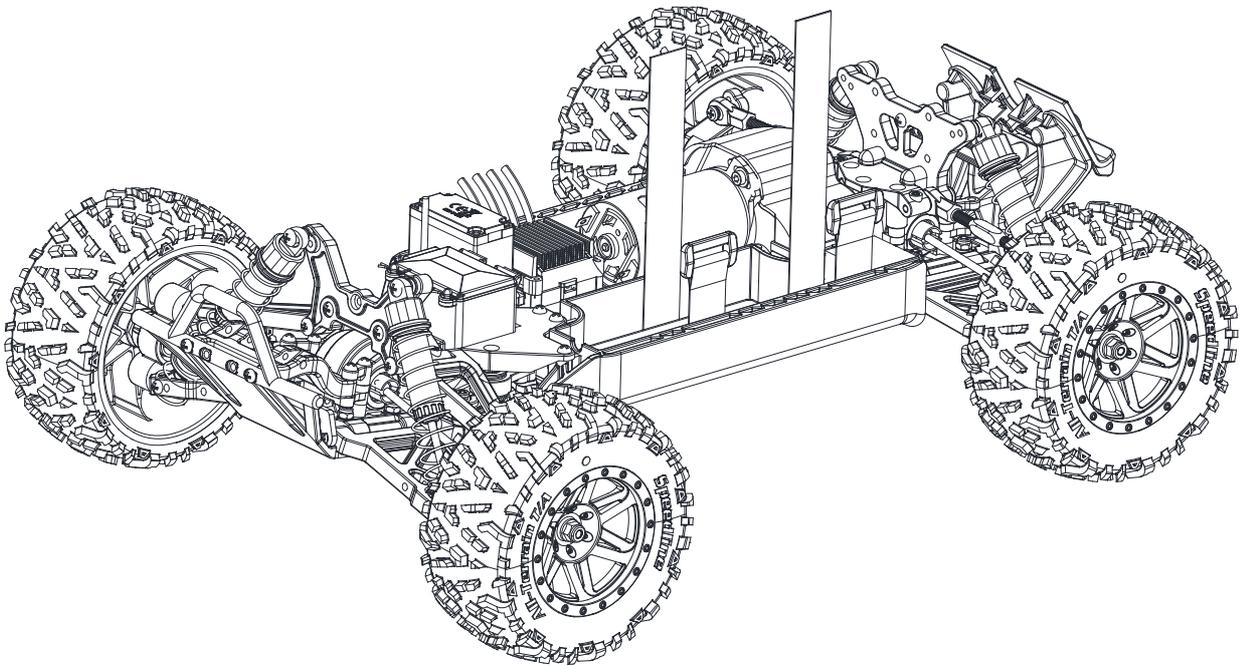
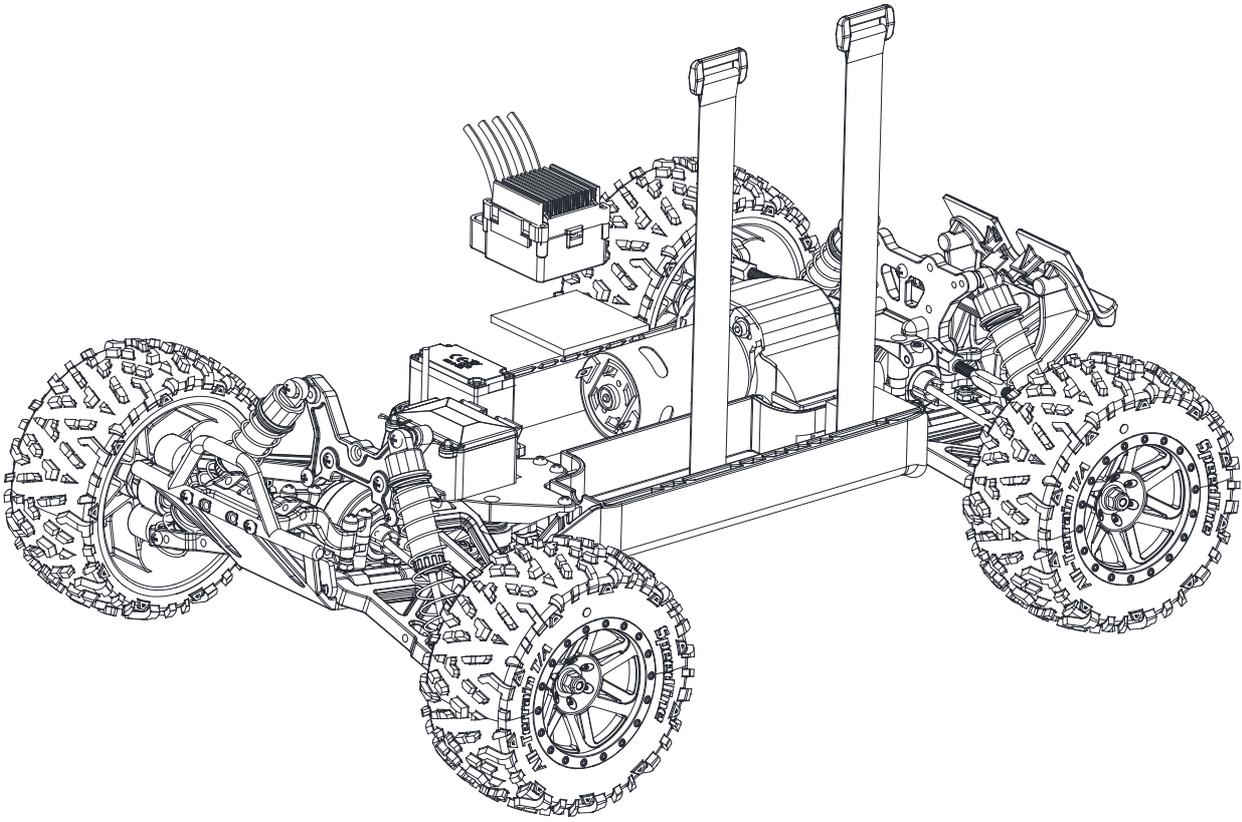


36

⊞ ⊙ M4 (4PCS) tyre set

(P)

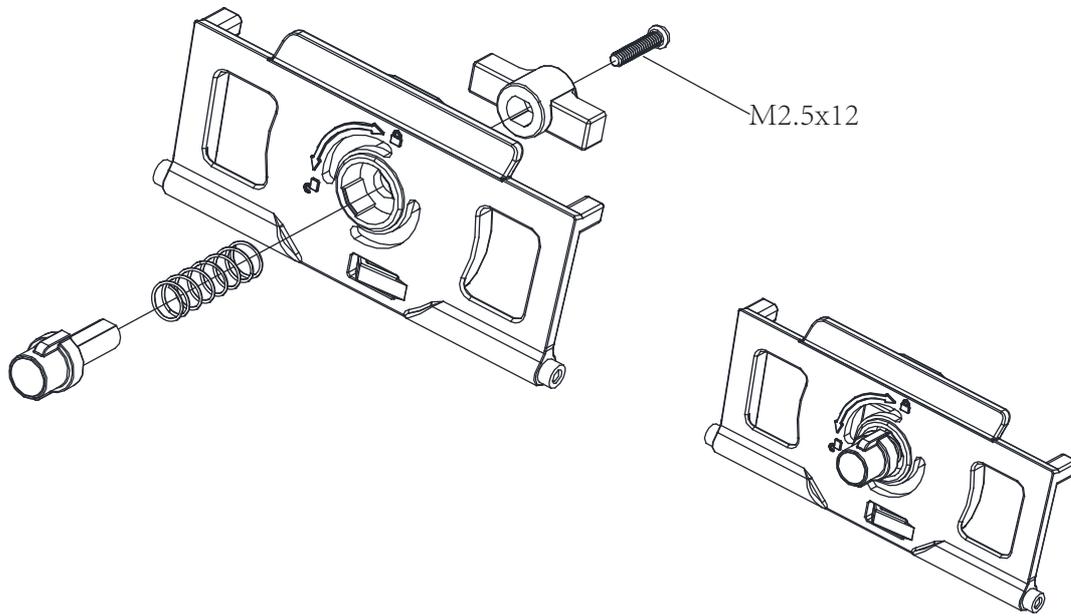




38

  M2.5x12 (1PC)

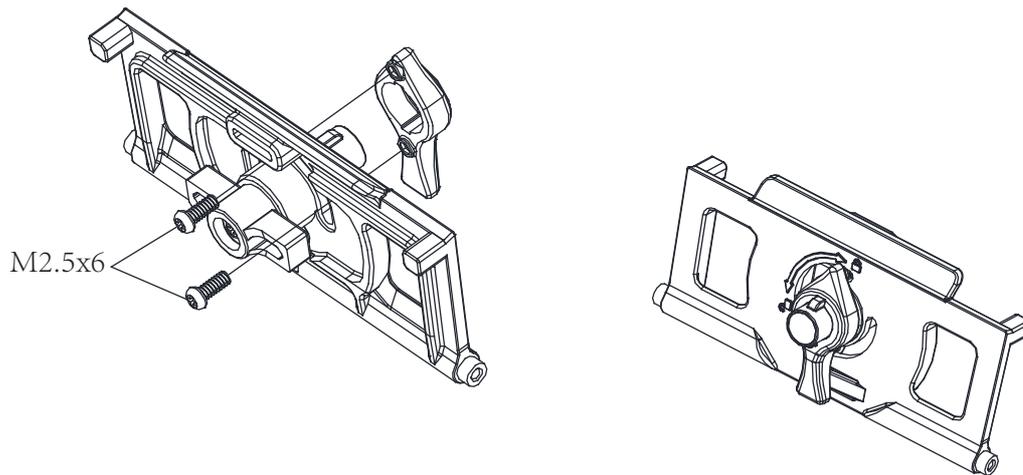
(R-1)



39

  M2.5x6 (2PCS)

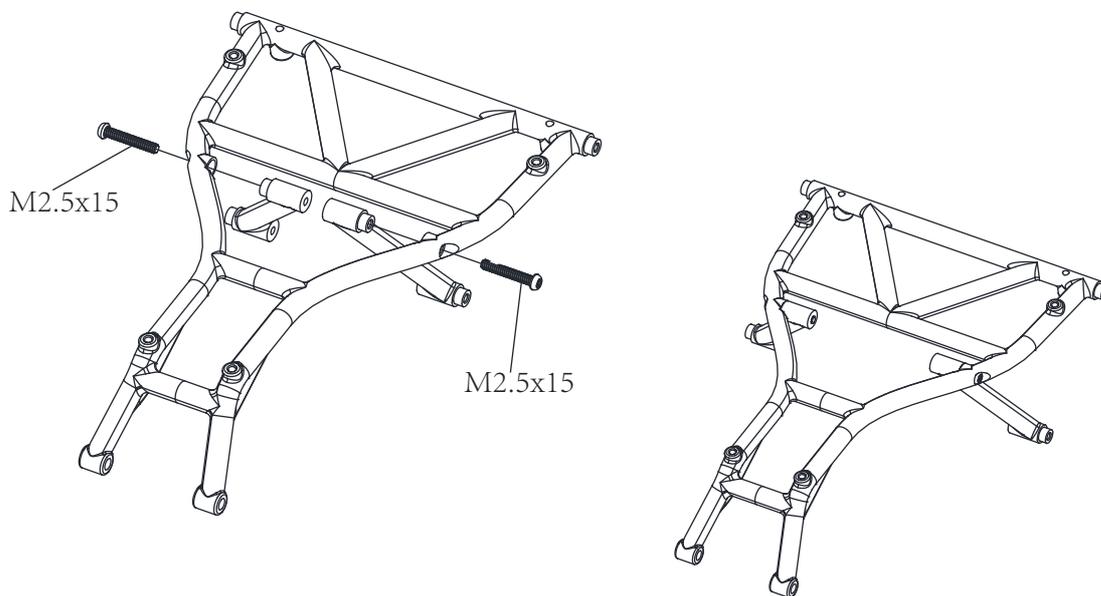
(R-2)



40

  M2.5x15 (2PCS)

(S-1)

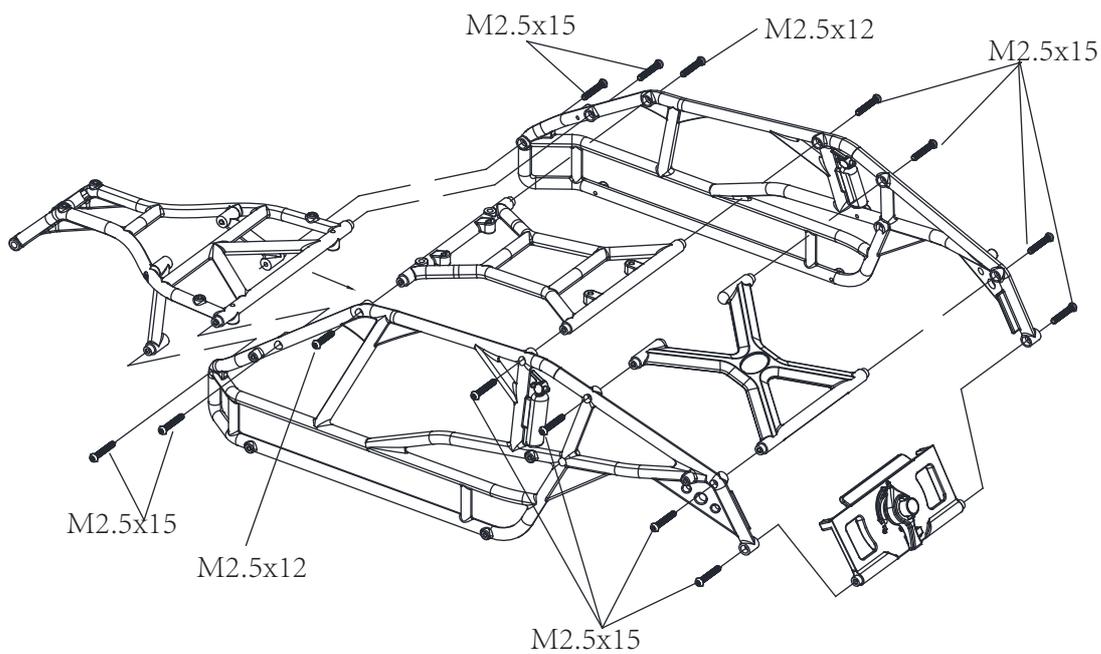


41

  M2.5x12 (2PCS)

(S-2)

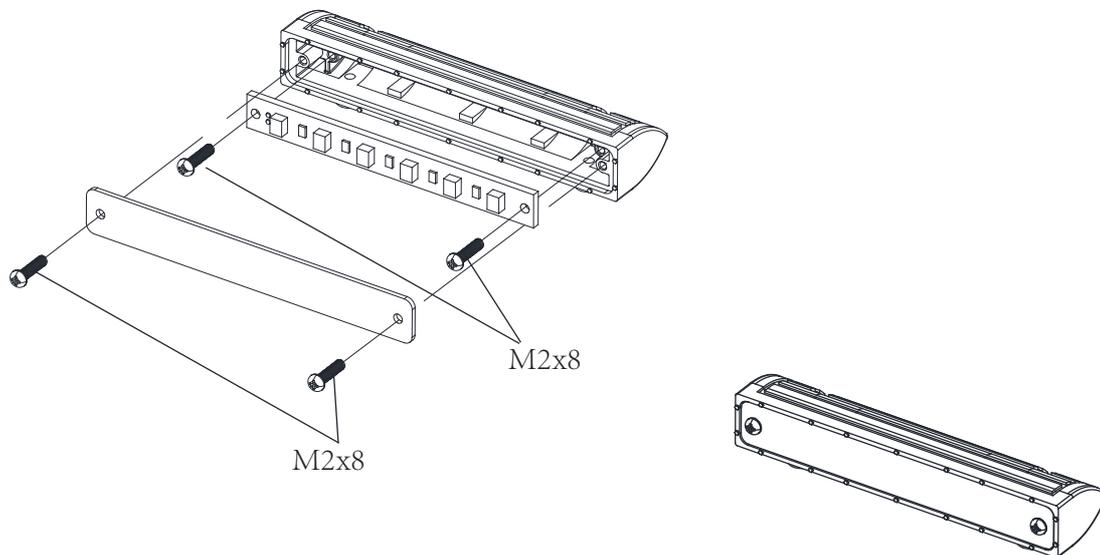
  M2.5x15 (12PCS)



44

  M2x8 (4PCS)

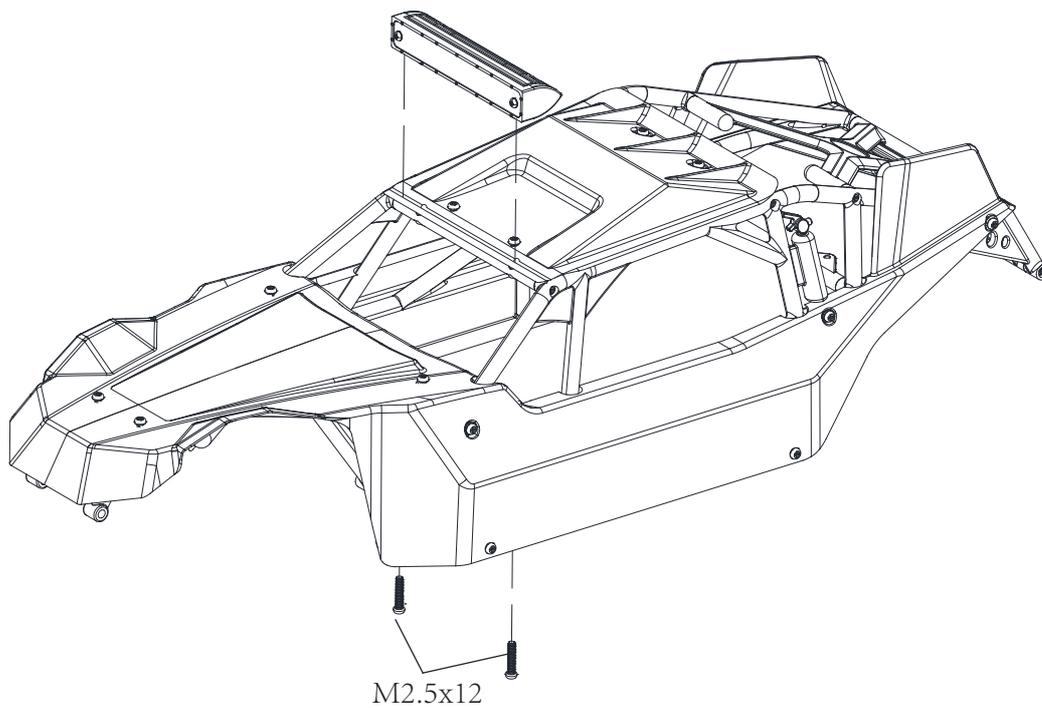
(U-1)



45

  M2.5x12 (2PCS)

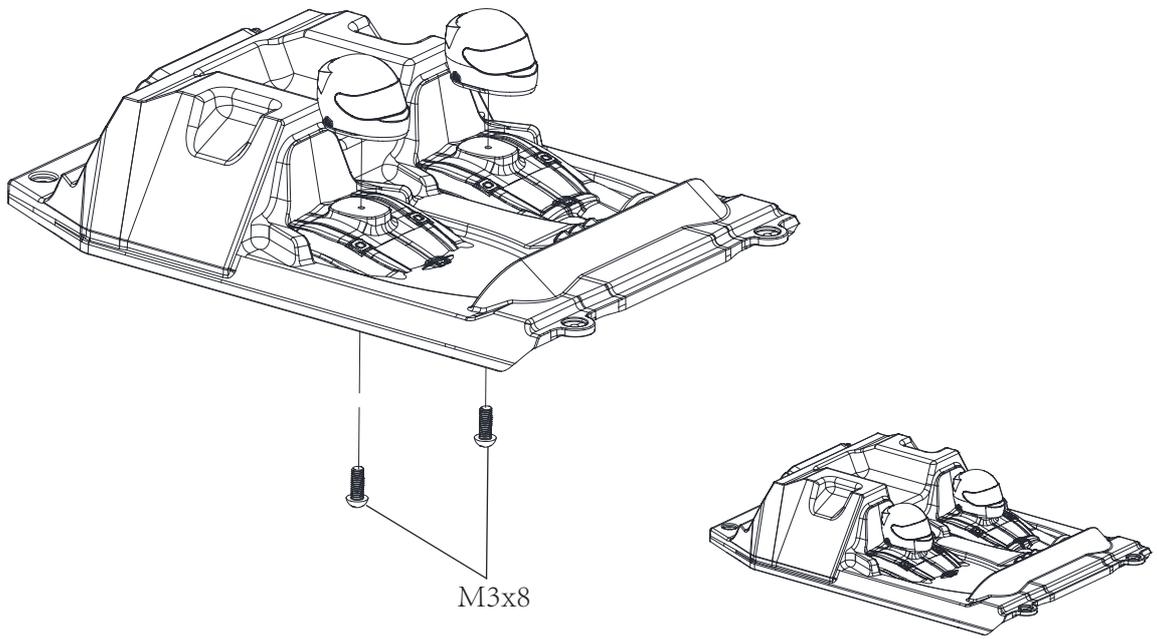
(U-2)



46

  M3x8 (2PCS)

(V-1)



47

  M2.5x8 (4PCS)

(V-2)

