

MAIN FEATURE

1. High switching current up to 15A in small size.
2. Sugar-Cube relay suitable for various applications.
3. UL, C-UL & TÜV safety standard approved.
4. UL Class F insulation available.
5. Highly adapt to harsh conditions with high temperature and vibration.
6. Halogen Free series available.
7. Comply with RoHS and REACH regulations.
8. In accordance with IEC 60335-1 Glow Wire requirements for home appliances.

CONTACT RATING

Item no.	2347585	2347587	2347588
Load Type	RW-SS-106D	RW-SS-112D	RW-SS-124D
Relay type (category)	PCB relay	PCB relay	PCB relay
Certifications	UL&CUL;TUV;CQC	UL&CUL;TUV;CQC	UL&CUL;TUV;CQC
Additional product specs	SPDT	SPDT	SPDT
Coil nominal Voltage	6 V DC	12 V DC	24 V DC
Coil voltage rating	0.36 W	0.36 W	0.36 W
Colour	Blue	Blue	Blue
Connection (components)	Solder pins	Solder pins	Solder pins
Contact material	Ag-alloy	Ag-alloy	Ag-alloy
Contact type	1 change-over	1 change-over	1 change-over
Content	1 pc(s)	1 pc(s)	1 pc(s)
Control mode	monostable, 1 coil	monostable, 1 coil	monostable, 1 coil
Durability	1 x 10 ⁷ switching operations	1 x 10 ⁷ switching operations	1 x 10 ⁷ switching operations
Electrical lifespan	1 x 10 ⁸ cycles	1 x 10 ⁸ cycles	1 x 10 ⁸ cycles
Fall time	5 ms	5 ms	5 ms
Max. pick-up voltage	4.5 VDC	9 VDC	18 VDC
Max. temperature	85 °C	85 °C	85 °C
Min. pick-up voltage	0.3 VDC	0.6 VDC	1.2 VDC
Min. temperature	-30°C	-30°C	-30°C
Packaging type (components)	Tray	Tray	Tray
Product size (height)	15mm	15mm	15mm
Product size (length)	19mm	19mm	19mm
Product size (width)	15.4mm	15.4mm	15.4mm
Product type	PCB relay	PCB relay	PCB relay
Resistance (coil)	100 Ω	400 Ω	1600 Ω
Response time	10 ms	10 ms	10 ms
RoHS-compliant	Yes	Yes	Yes
Switching capacity (max.)	3000VA 360 W	3000VA 360 W	3000VA 360 W
Switching current (max.)	15 A	15 A	15 A
Switching voltage (max.)	250 V AC 110 V DC	240 V AC 110 V DC	240 V AC 110 V DC
Weight	9 g	9 g	9 g

APPLICATION

Domestic Appliances, Office Machines, Audio Equipment, Coffeepot, Control Units, etc.

PERFORMANCE (AT INITIAL VALUE)

- Contact Resistance 100mΩ Max.@1A,6VDC
- Operate Time 10mSec. Max.
- Release Time 5 mSec. Max.
- Dielectric Strength:
 - Between Coil & Contact 1,000VAC at 50/60 Hz for one minute
 - Between Contacts 500VAC at 50/60 Hz for one minute

- Temperature Range -30~+85°C
- Humidity Range 45~85% RH.
- Coil Temperature Rise 35°C Max.
- Vibration:
 - Destruction 10 to 55 to 10 Hz,0.75 mm single amplitude (1.5mm double amplitude)
 - Malfunction 10 to 55 to 10 Hz,0.75 mm single amplitude (1.5mm double amplitude)
- Shock:
 - Destruction 1,000 m/S²
 - Malfunction 100 m/S²
- Life Expectancy:
 - Mechanical 10⁷ Operations at No Load condition
 - Electrical 10⁵ Operations at Rated

- Surge Strength3,000V (between Coil & Contact 1.2x50μSec.)
- Insulation Resistance 100 MegaΩ Min. at 500VDC
- Max. On/Off Switching:
 Electrical6 Cycles per Minute
 Mechanical.....300 Cycles per Minute

- Weight About 9 g

SAFETY STANDARD & FILE NUMBER

- UL & C-UL E141060
- TÜV R09854380
- CQC.....09002037102

COIL SPECIFICATION (AT 20°C)

Coil Sensitivity	Nominal Voltage (VDC)	Nominal Current (mA)	Coil Resistance (Ω±10%)	Power Consumption (W)	Pull-In Voltage (VDC)	Drop-Out Voltage (VDC)	Maximum Allowable Voltage (VDC)
RW-SS-106D	6	60	100	Abt. 0.36	75% Maximum	5% Minimum	130%
RW-SS-112D	12	30	400				
RW-SS-124D	24	15	1,600				

ORDERING INFORMATION

RW - SS - 1 12 D

Insulation System: Nil : Standard Class

Contact Material: Nil: AgSnO2

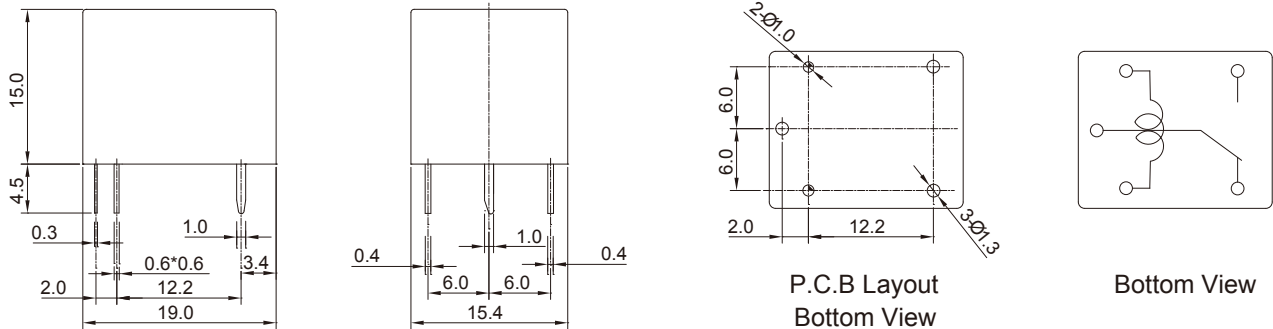
Contact Form: Nil: One Form

Coil Type: D: Standard DC
Coil Voltage: 05: 5V, 06: 6V, 12: 12V, 24: 24V

Number of Pole: 1: One Pole
Type of Sealing: SS: RT II Flux Proofed

Type: RW

DIMENSION (≤ 5mm ± 0.2mm, > 5mm ± 0.3mm, the tolerance of PCB thru hole: +0.1mm)



REFERENCE DATA

