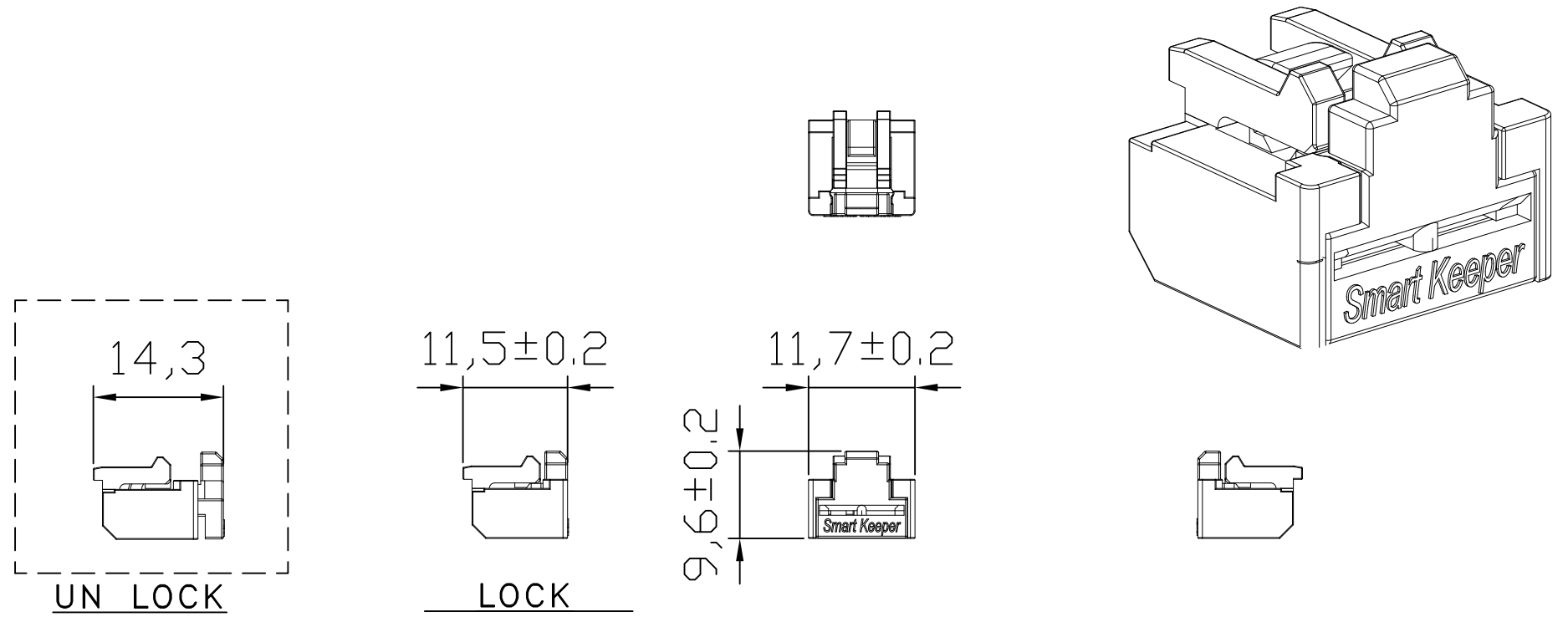



NO.	DATE	CHANGE CONTENTS	REASON	Engr	Appd
①					
②					



Note.

1. Weight  $\approx$  0.7g

1	MOLD			PC	-	
NO	PART NAME			Material	SIZE	REMARK
Size	UNIT	Scale	VIEW	MODEL	RJ45 Port Lock	
A4	MM	1 / 1		CODE	NL03	
Drwn	Engr	Chkd	Appd	 Physical IT Security Solutions		