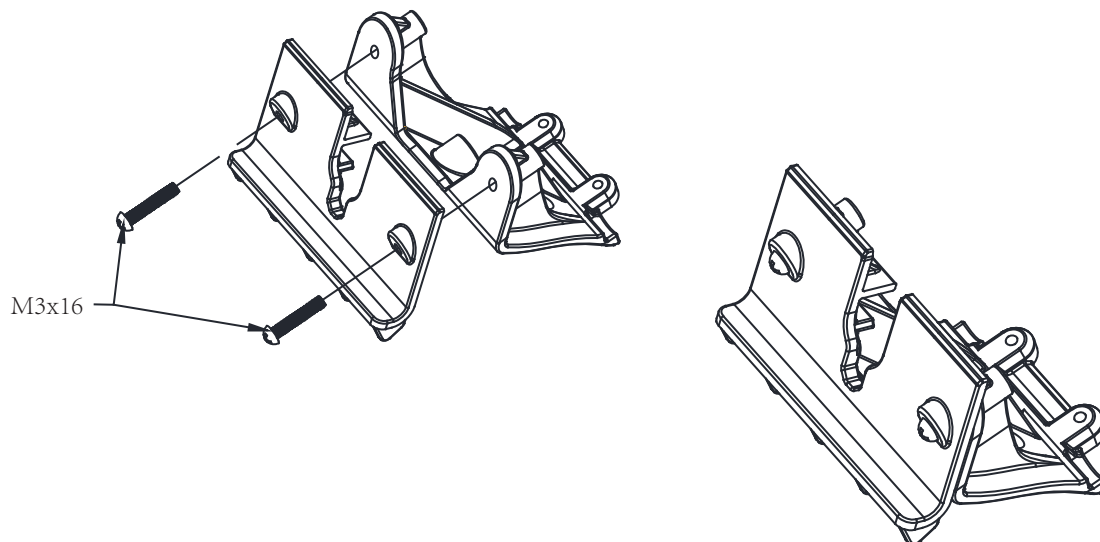


1

  M3x16 (2pcs)

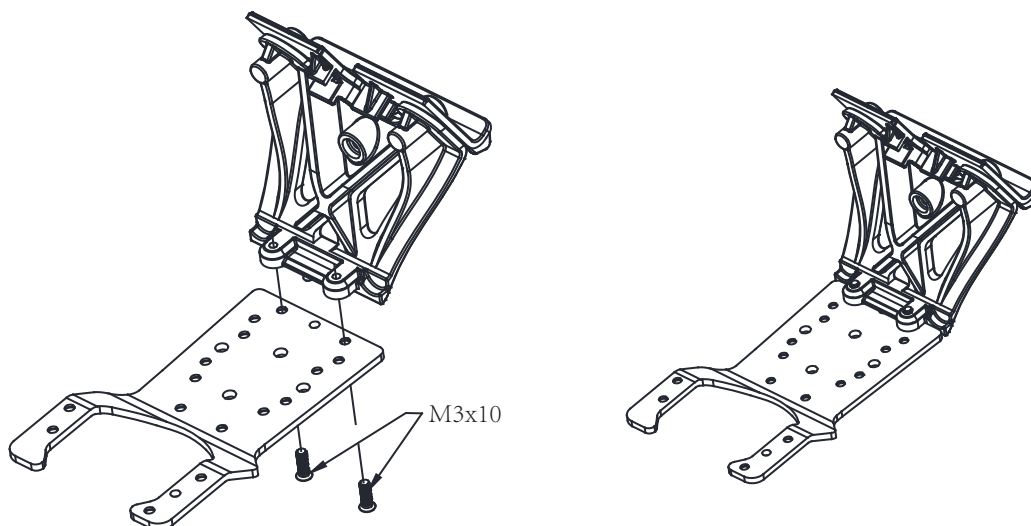
(A-1)



2

  M3x10(2pcs)

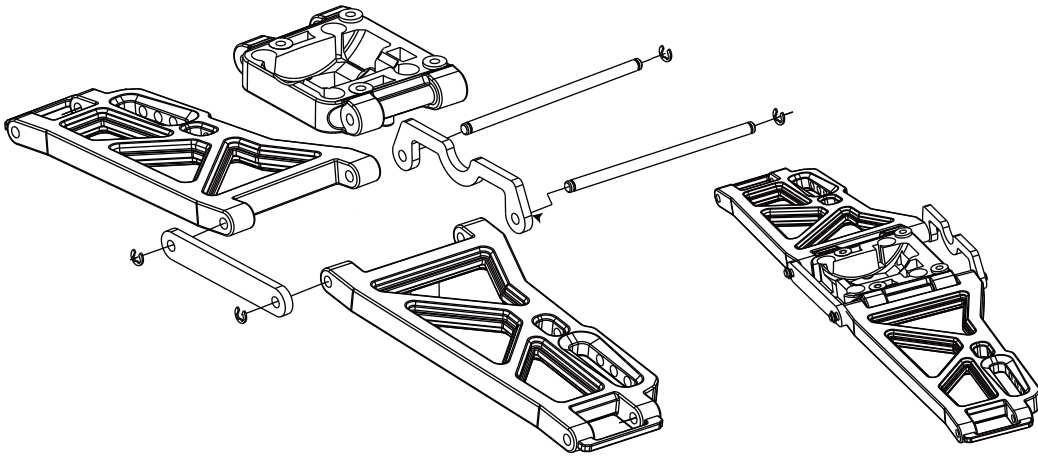
(A-2)



3

⌋ ⌋ M2.5 (4PCS)

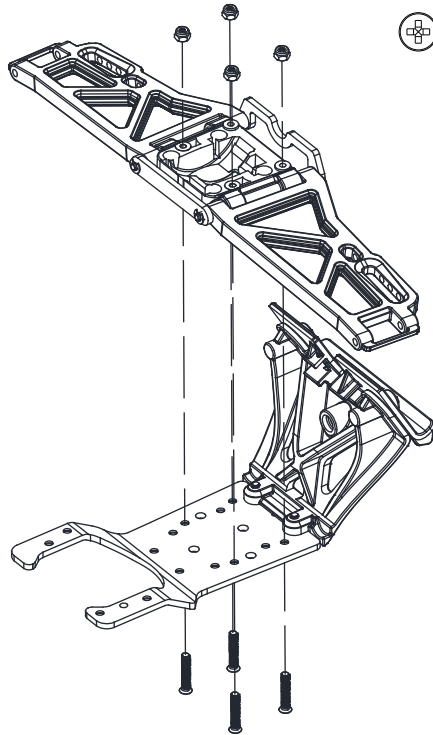
(A-3)



4

⌋ ⌋ M3 (4PCS) (A-4)

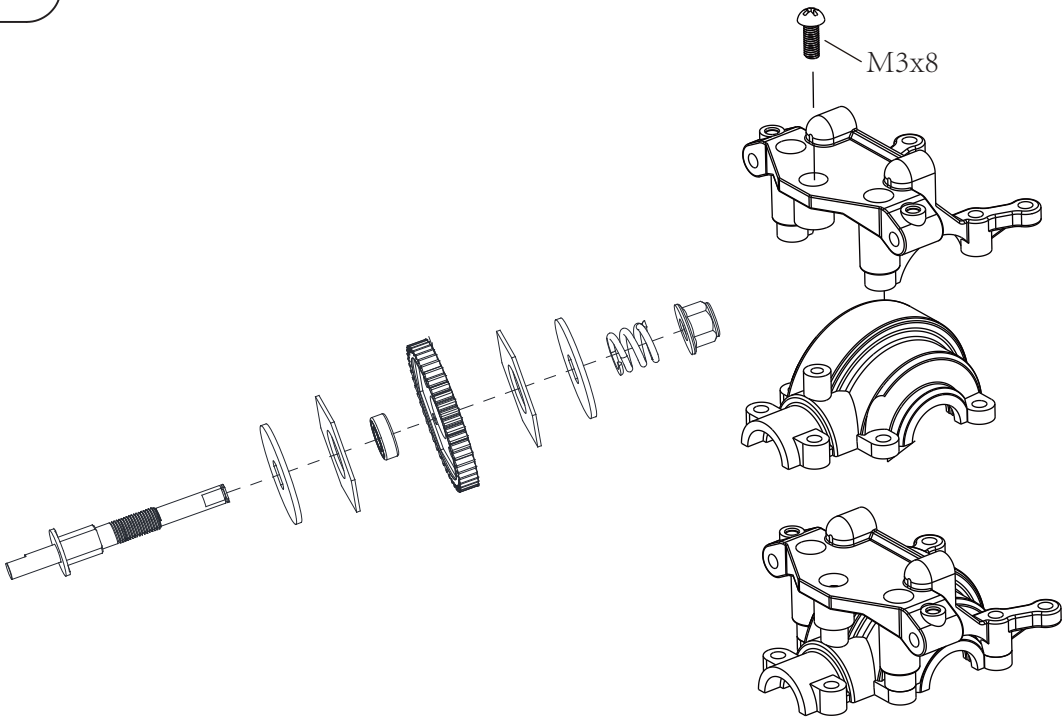
⌋ ⌋ M3x15 (4PCS)



5

M3x8 (1PC)

(B-1)

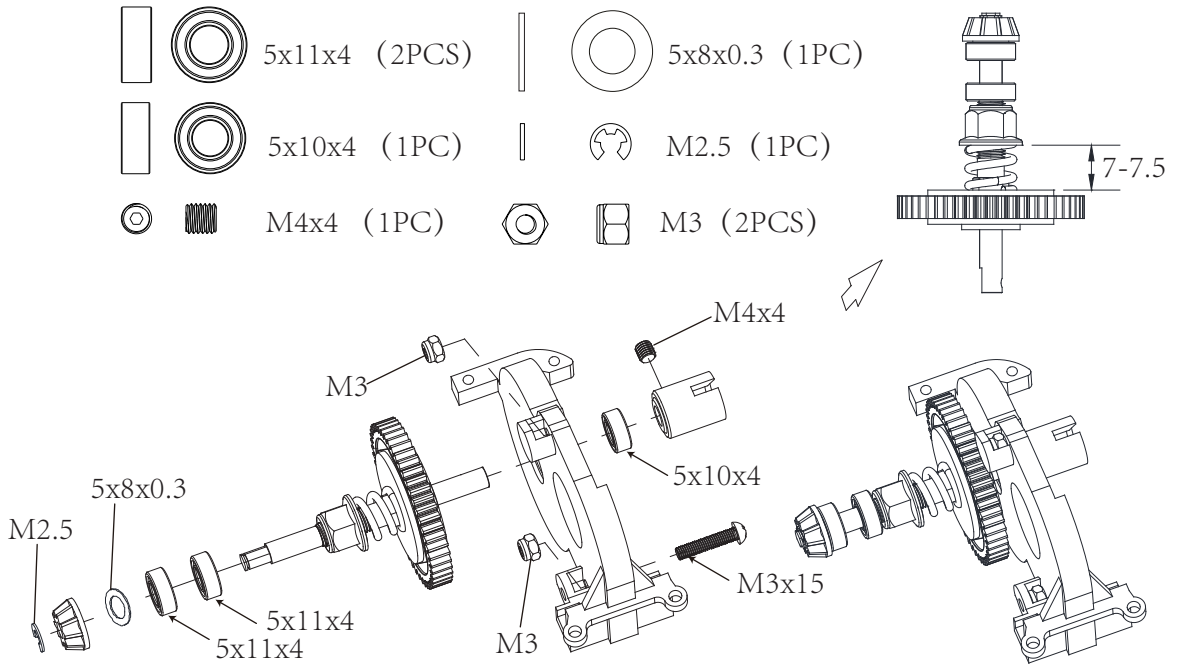


6

M3x15 (1PC)

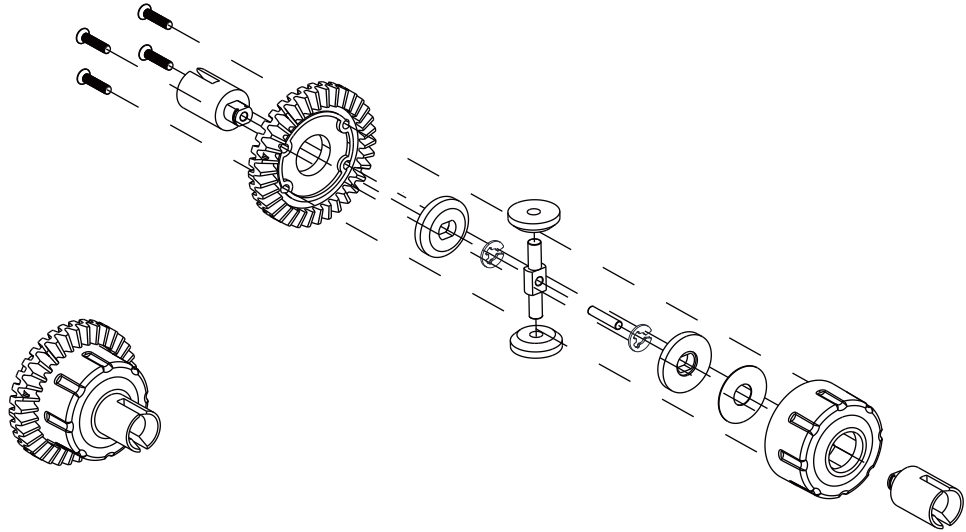
(B-2)

-
-
-



7

(B-3)

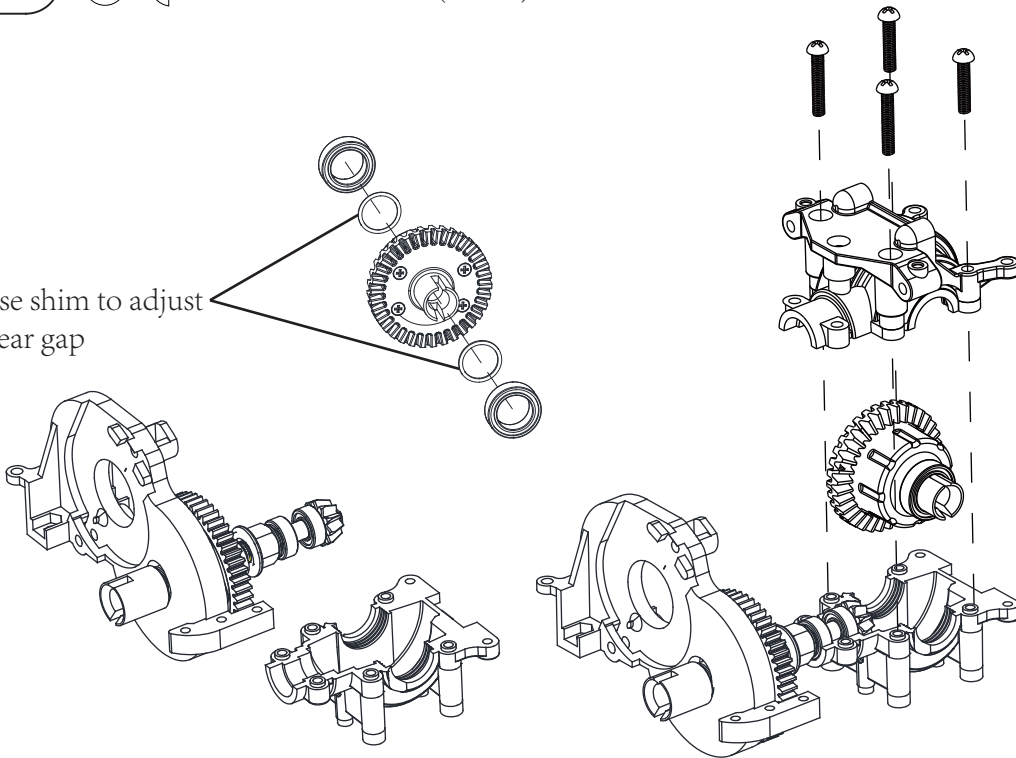


8






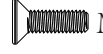


  M3x18 (4PCS)

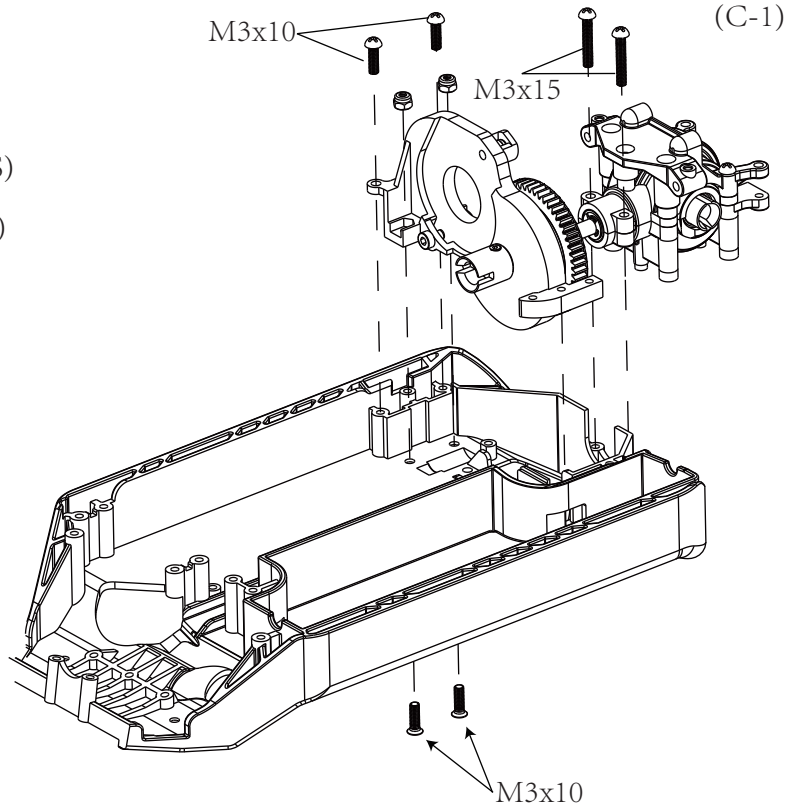
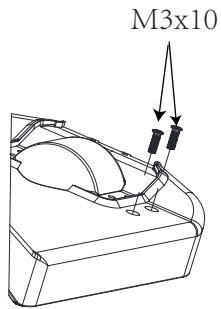
(B-4)

use shim to adjust
gear gap


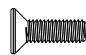




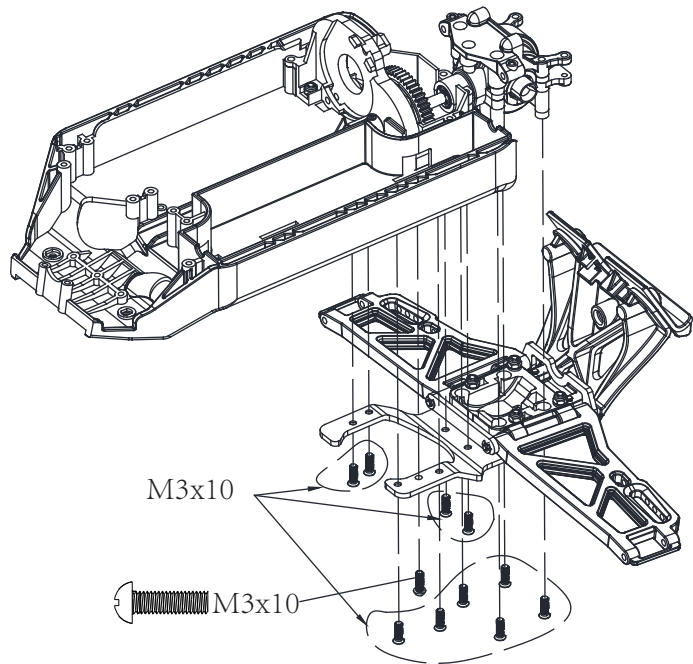
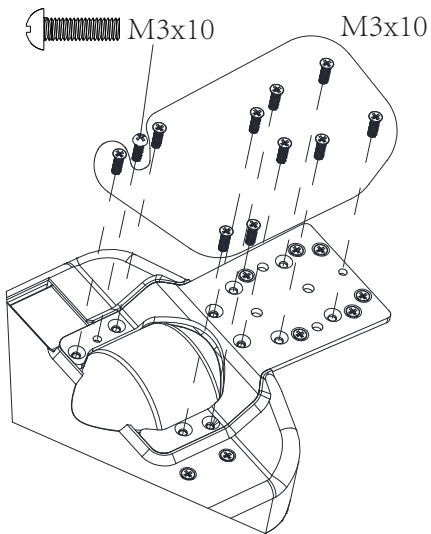
9

-   M3x15 (2PCS)
-   M3x10 (2PCS)
-   M3x10 (2PCS)
-   M3 (2PCS)



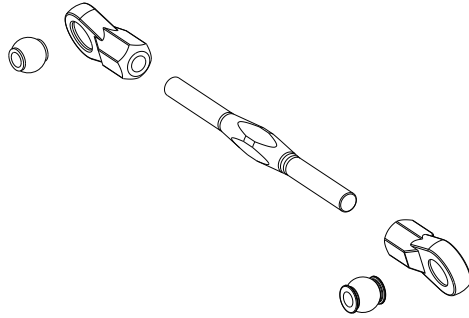
10

-   M3x10 (10PCS)
-   M3x10 (1PC)





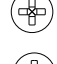

11

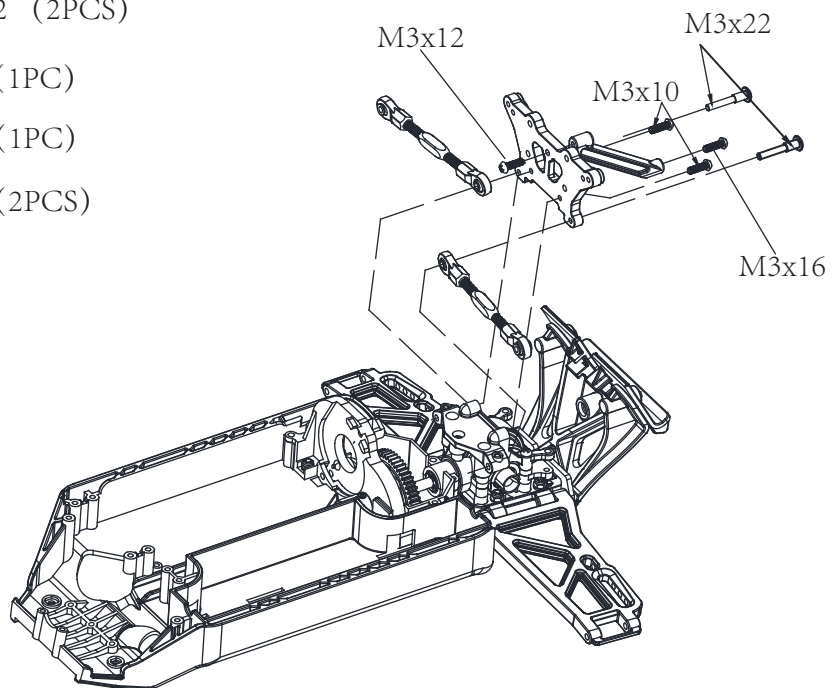
(D-1)



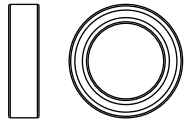

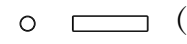
12

(D-2)

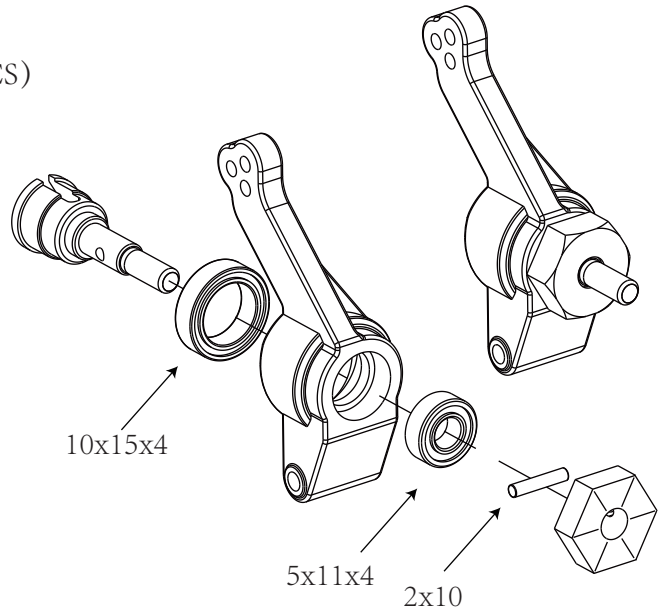
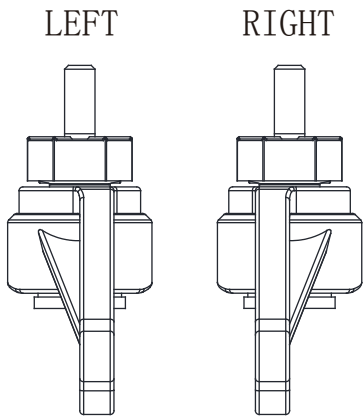
-  3x22 (2PCS)
-  M3x12 (1PC)
-  M3x16 (1PC)
-  M3x10 (2PCS)



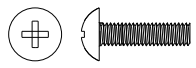
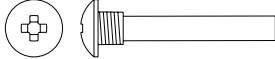
13

-  10x15x4 (2PCS)
-  5x11x4 (2PCS)
-  (2PCS)

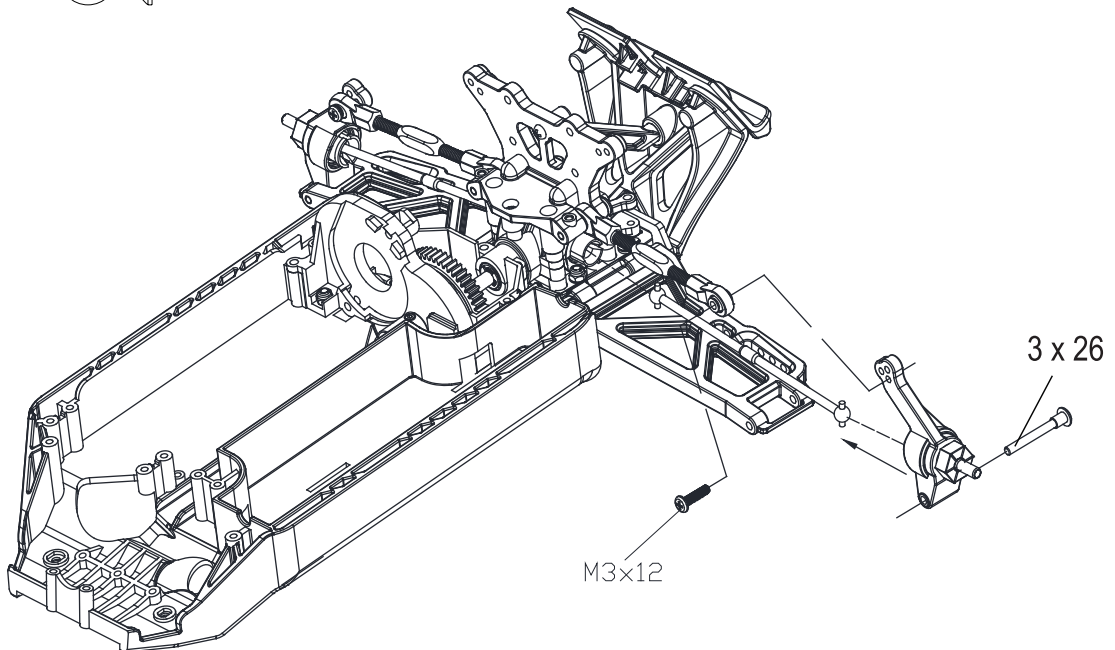
(E-1)



14

-  M3x12 (2PCS)
-  M3x26 (2PCS)

(E-2)

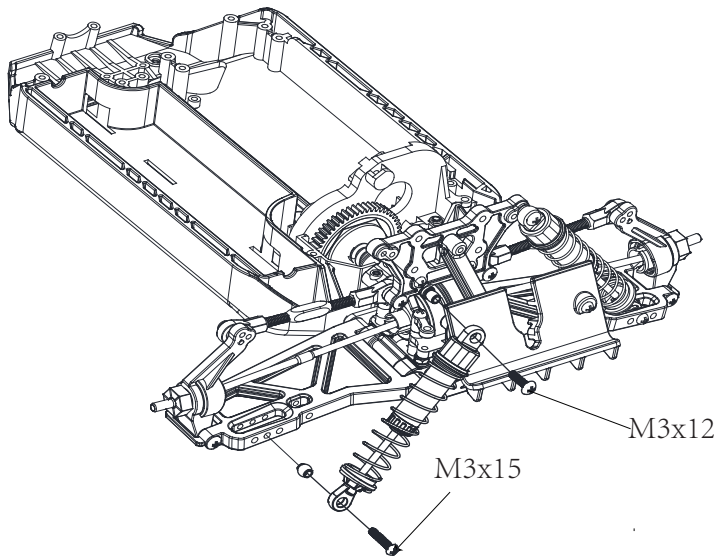


17

  M3x15 (2PCS)

(F-1)

  M3x12 (2PCS)

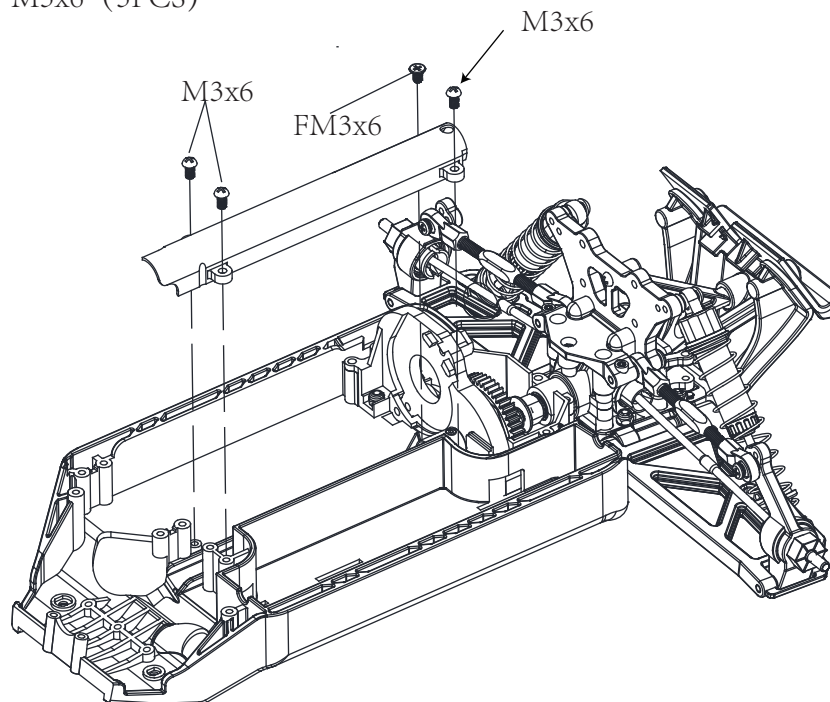


18

  fM3x6 (1PC)

(C、C-3)

  M3x6 (3PCS)

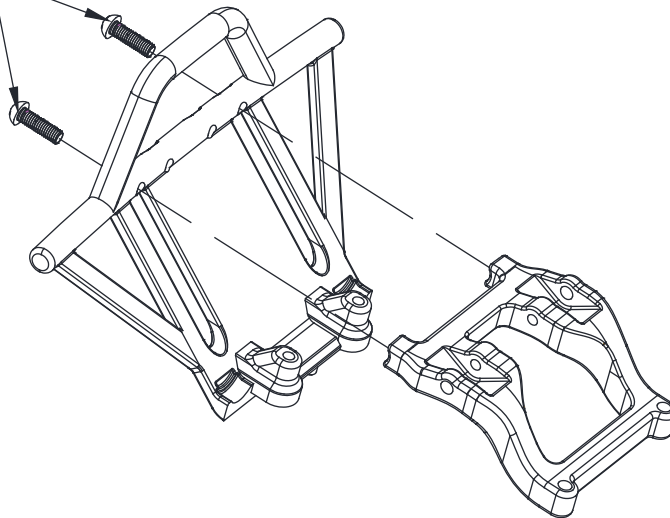


19

  M3x12 (2PCS)

(G-1)

front bumper
M3x12

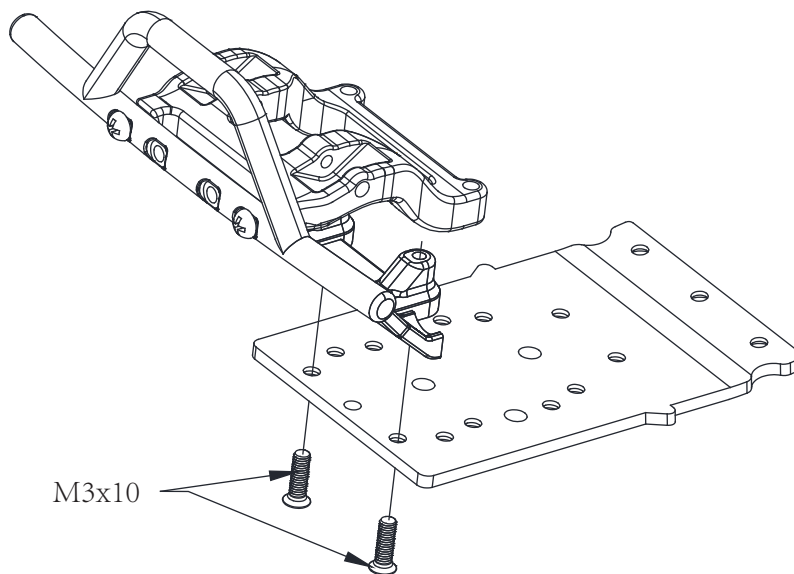


20

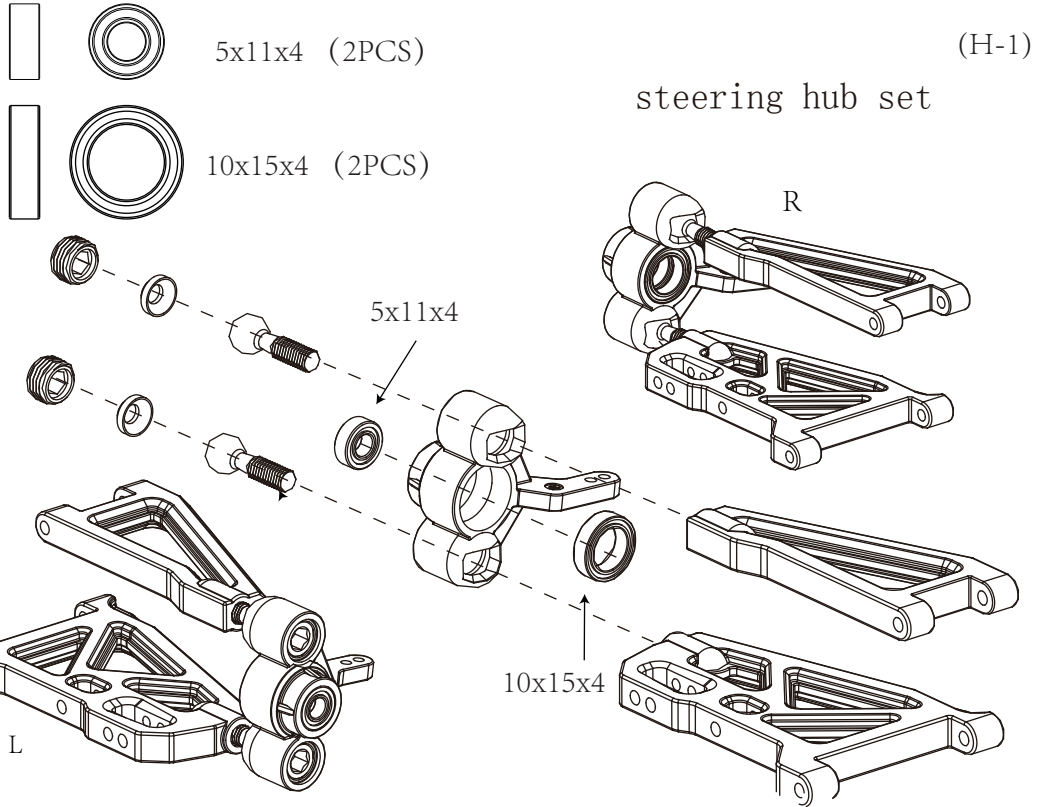
  M3x10 (2PCS)

(G-2)

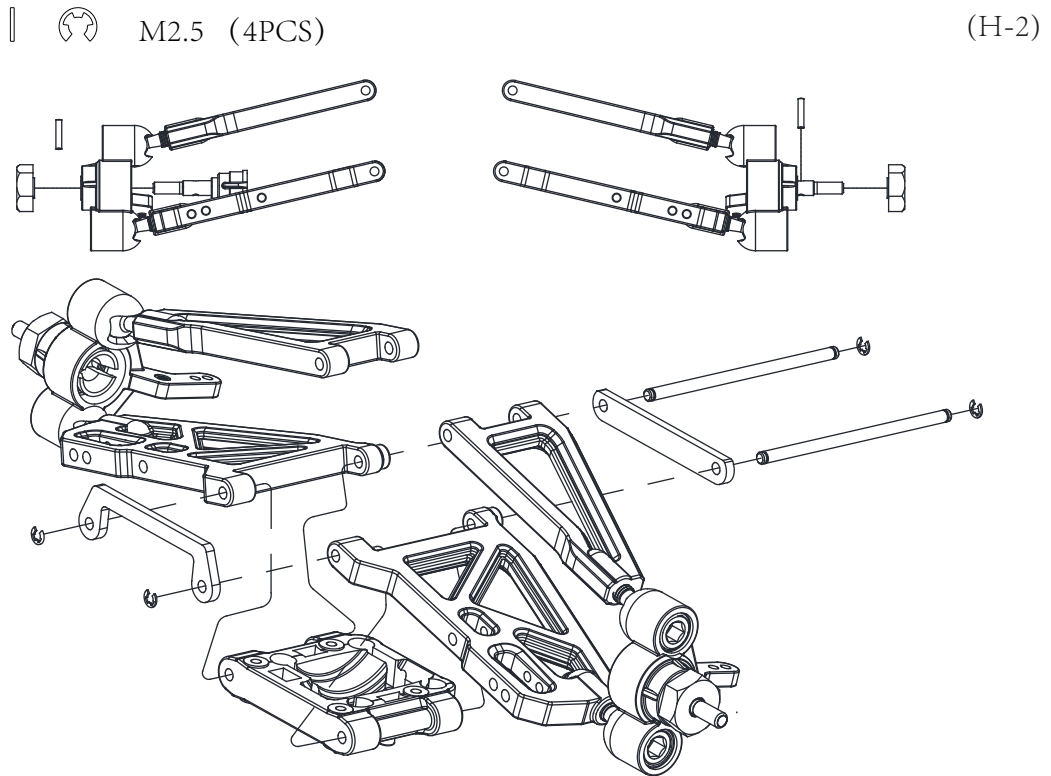
front bumper set



21



22

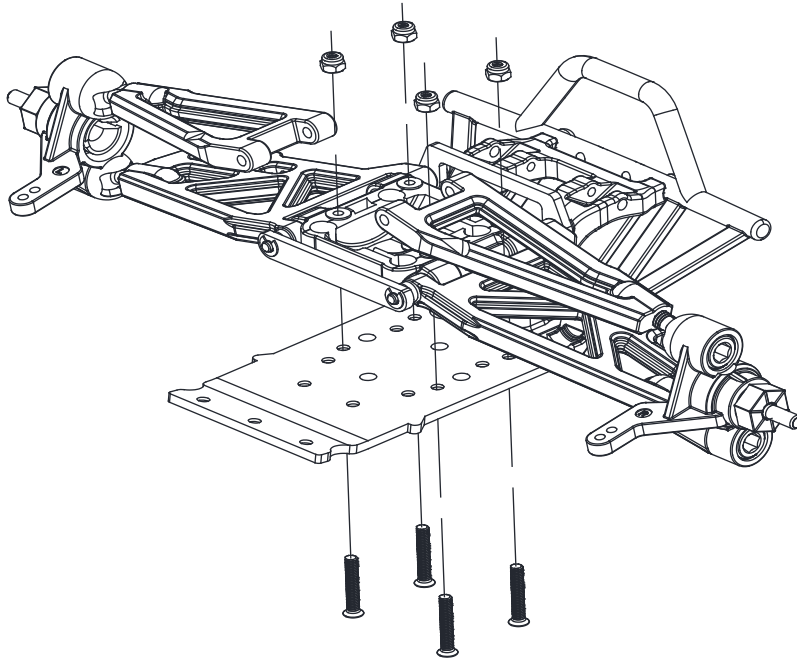


23

  M3 (4PCS)

(H-3)

 M3x15 (4PCS)

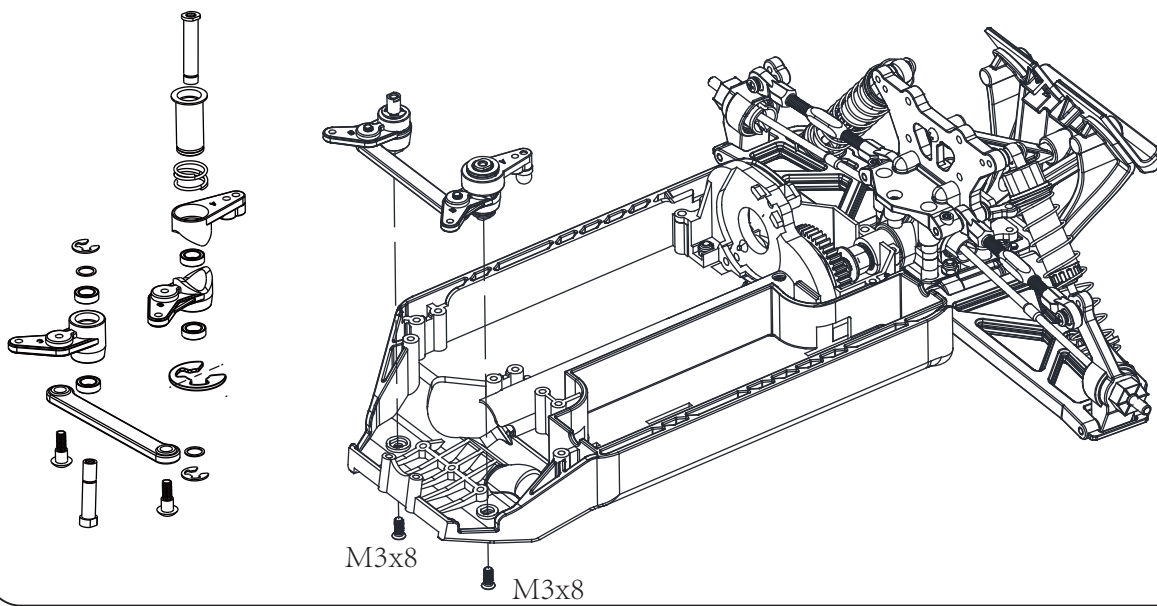


24

 M3x8 (2PCS)

(I)



buffer set



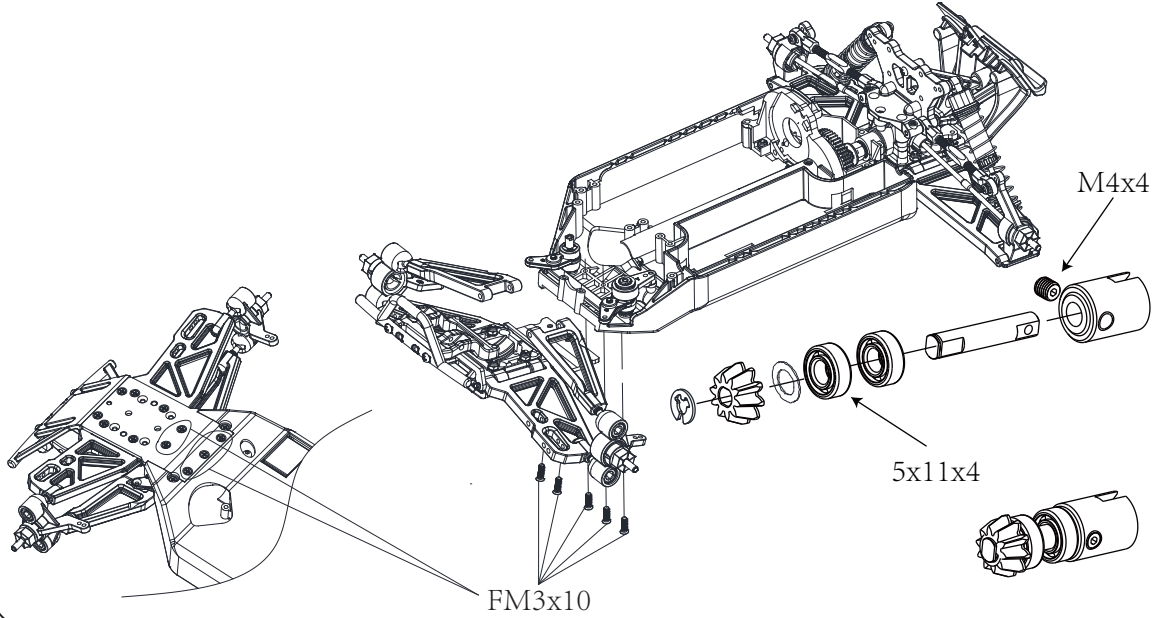
25

  M3x10 (5PCS)

(J)

  5x11x4 (2PCS)

  M4x4 (1PC)

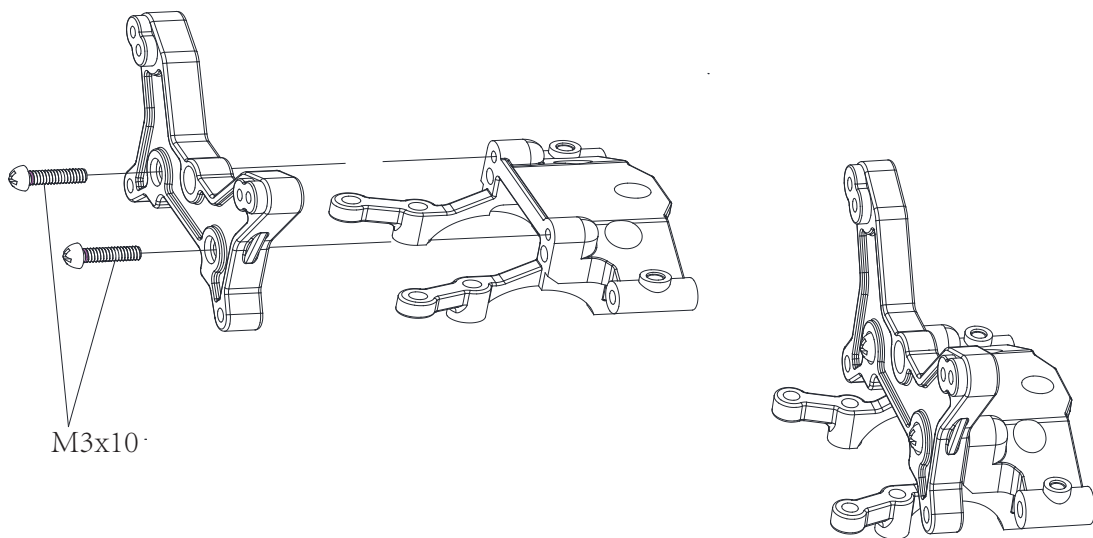


26

  M3x10(2PCS)

(K-1)

front shock plate set



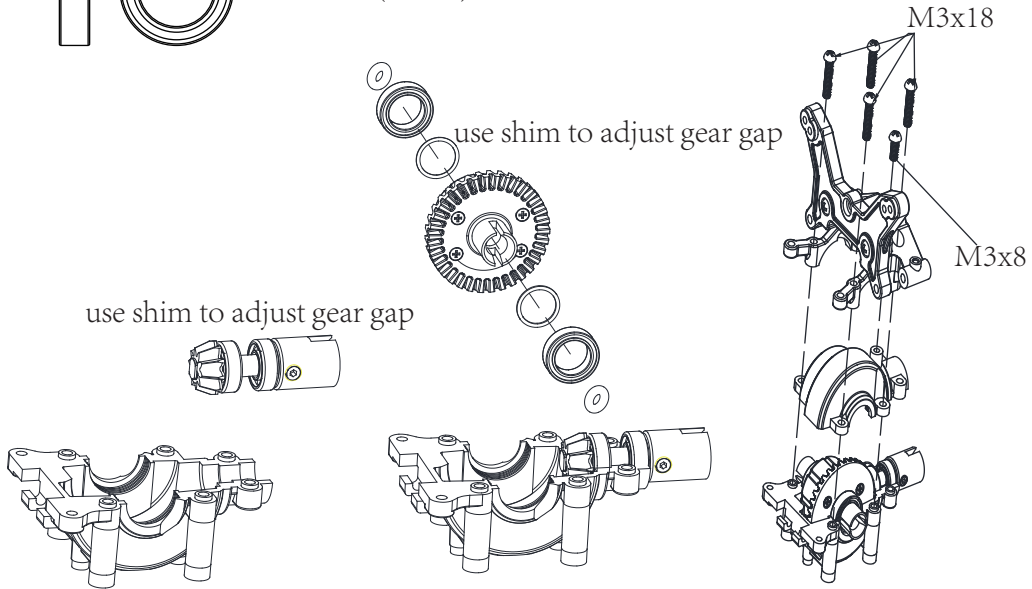
27

  M3x18 (4PCS)

(K-2)

  M3x8 (1PC)

  10x15x4 (2PCS)

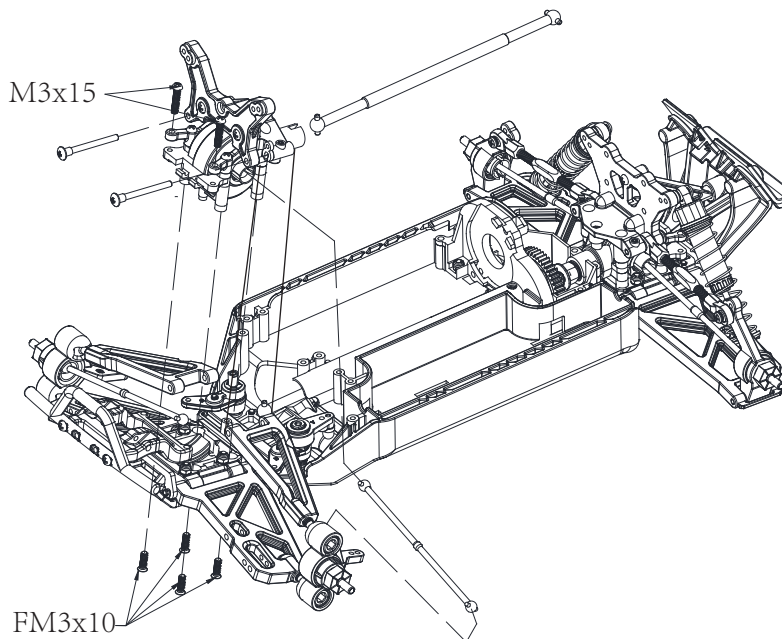


28

  M3x15 (2PCS)

(K-3)

  FM3x10 (4PCS)



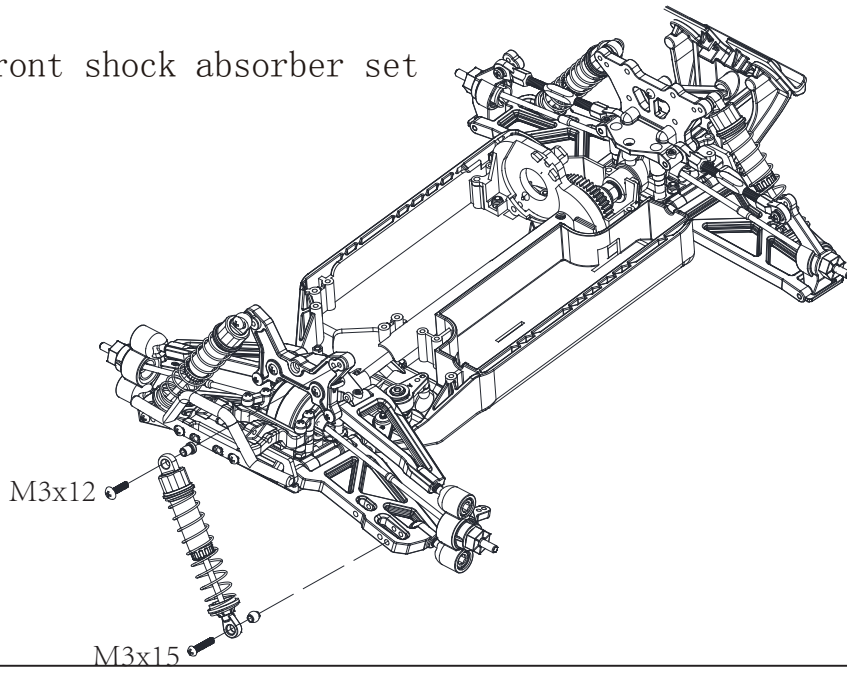
29

  M3x15 (2PCS)

(F)

  M3x12 (2PCS)

front shock absorber set

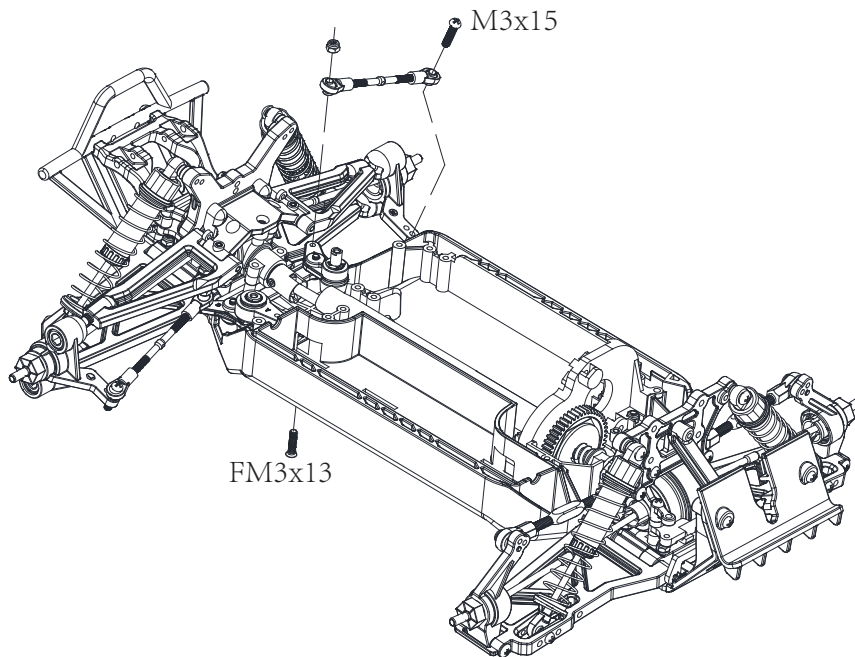


30


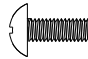


  M3x15 (2PCS)

(L-1)

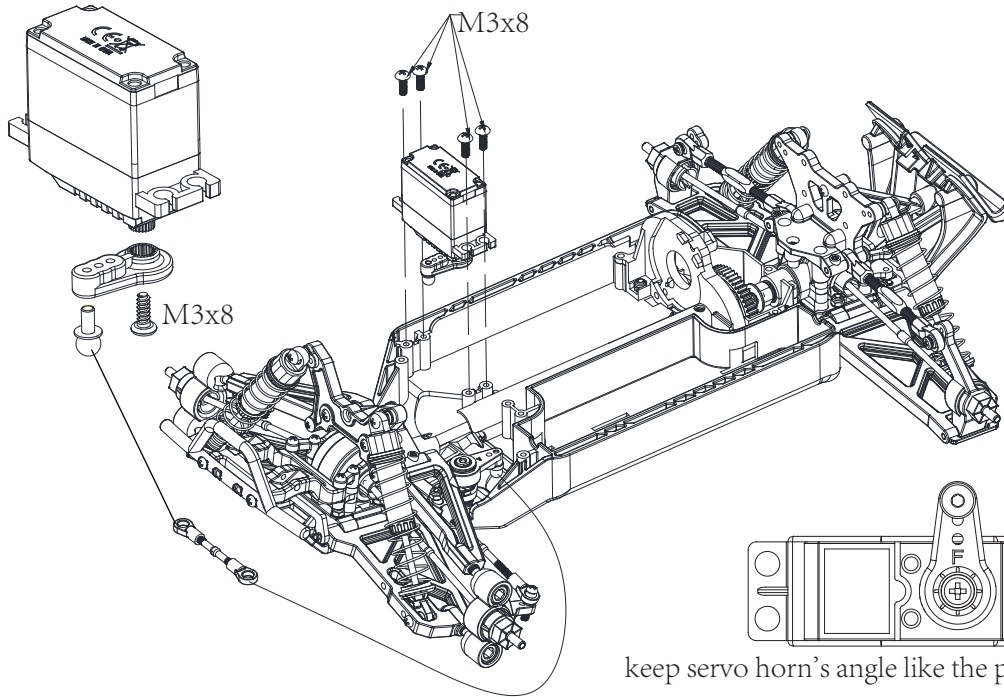
  FM3x13 (2PCS)










31

-   M3x8 (4PCS)
-   M3x8 (1PC)

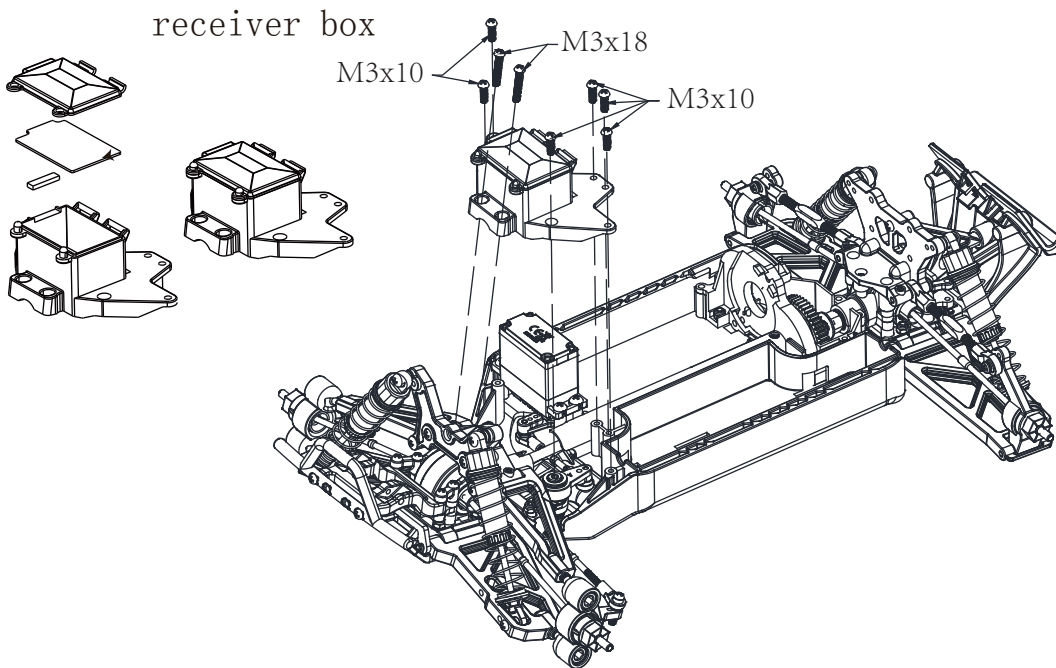
(L-2)







32

-   M3x18 (2PCS)
-   M3x3 (1PC)
-   M3x10 (6PCS)
-  (2PCS)

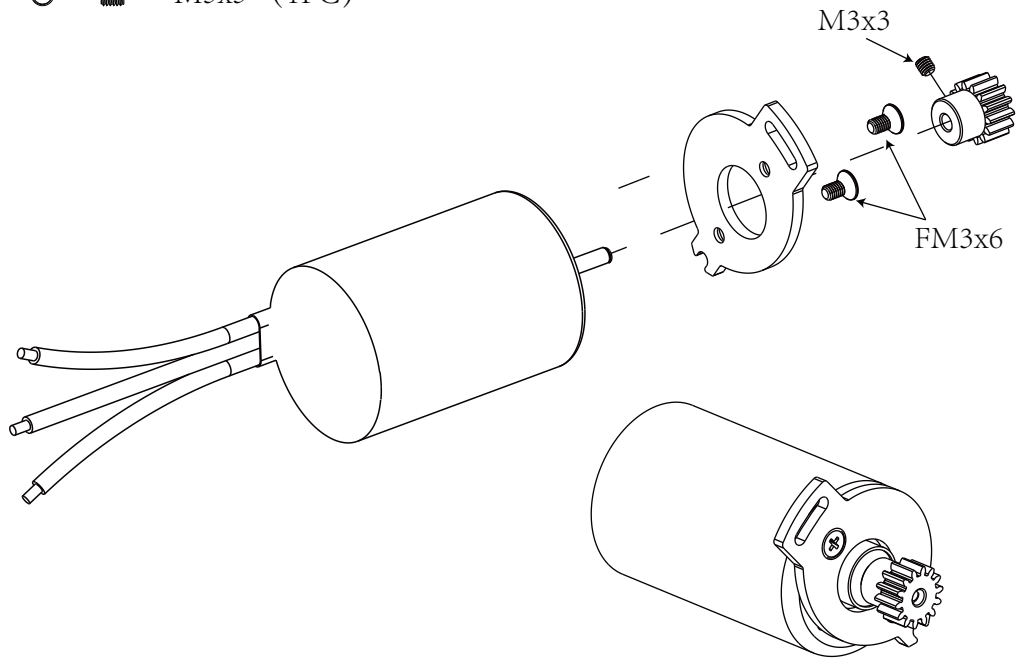
(M)



33

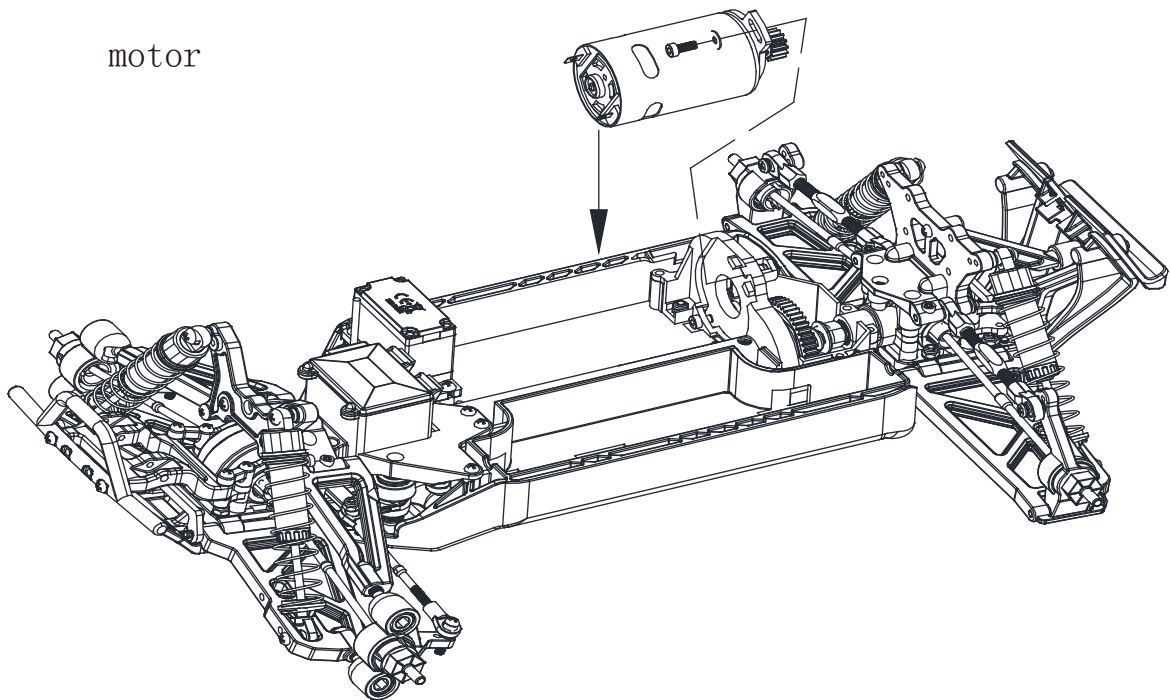
-   FM3x6 (2PCS)
-   M3x3 (1PC)

(N-1)



34

(N-2)

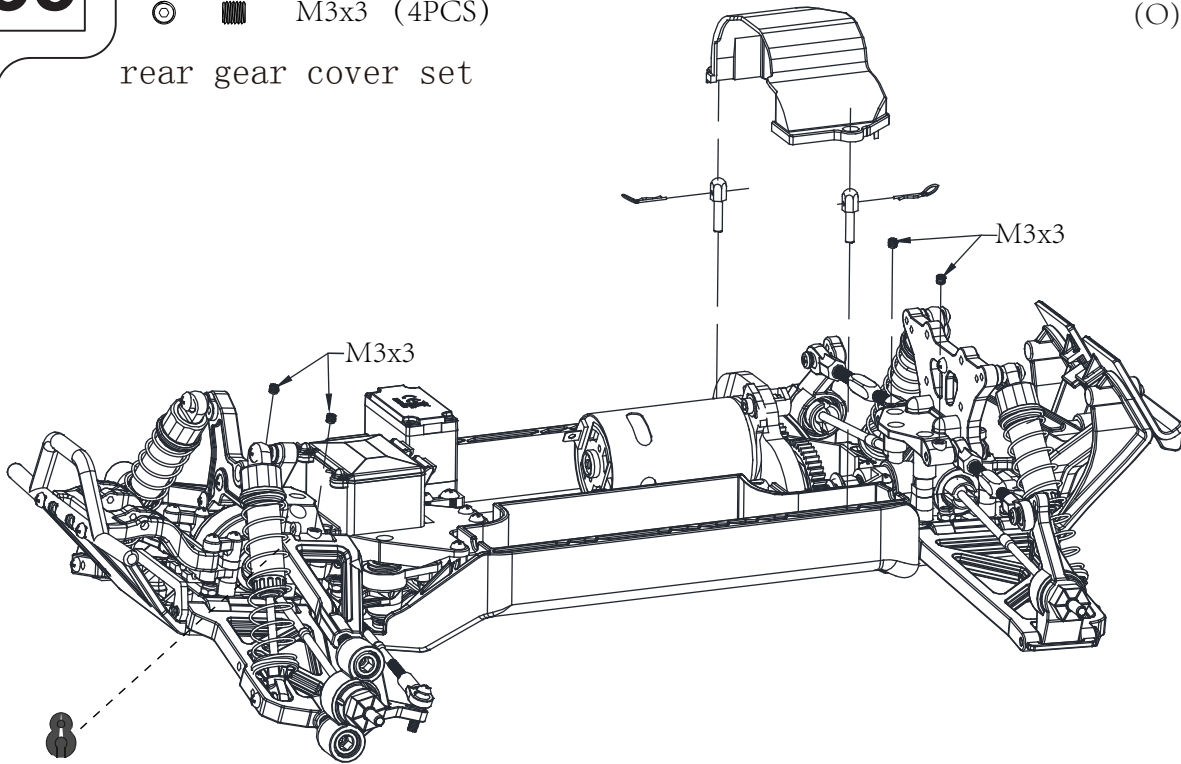


35

☉ ■ M3x3 (4PCS)

rear gear cover set

(O)

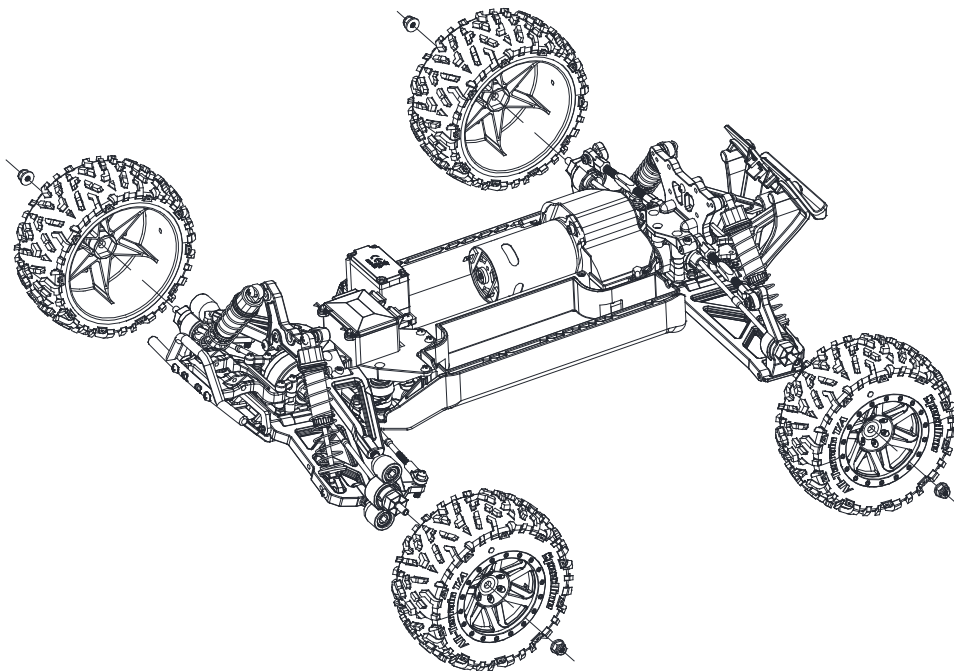


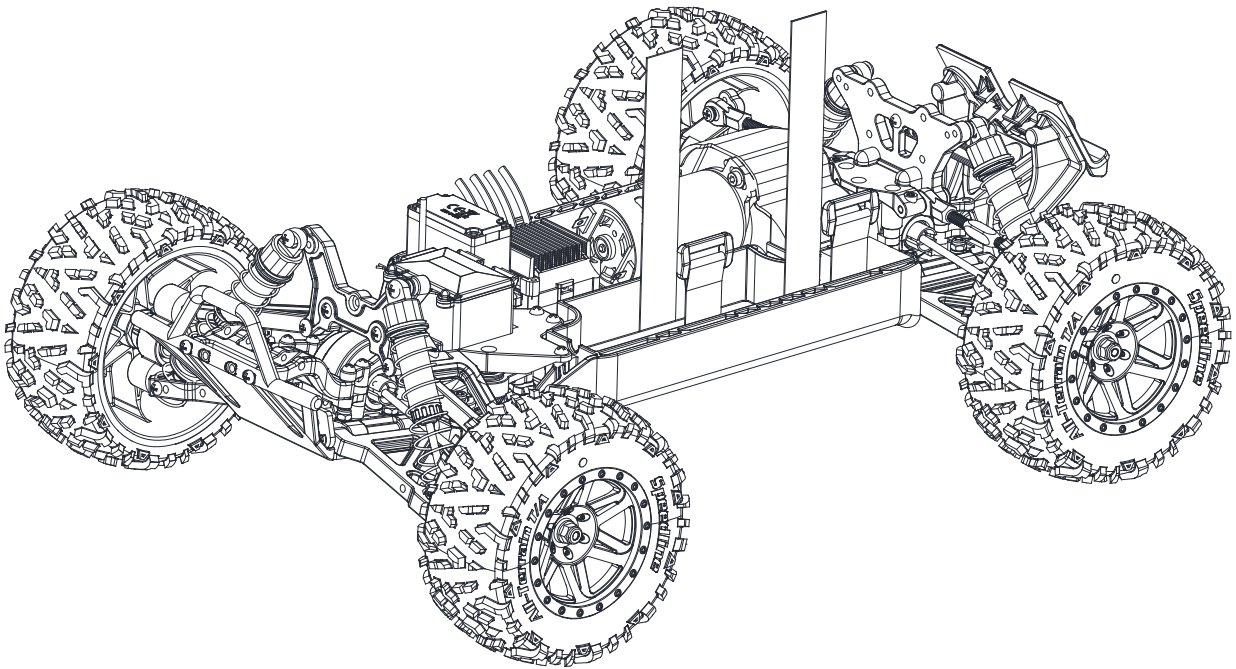
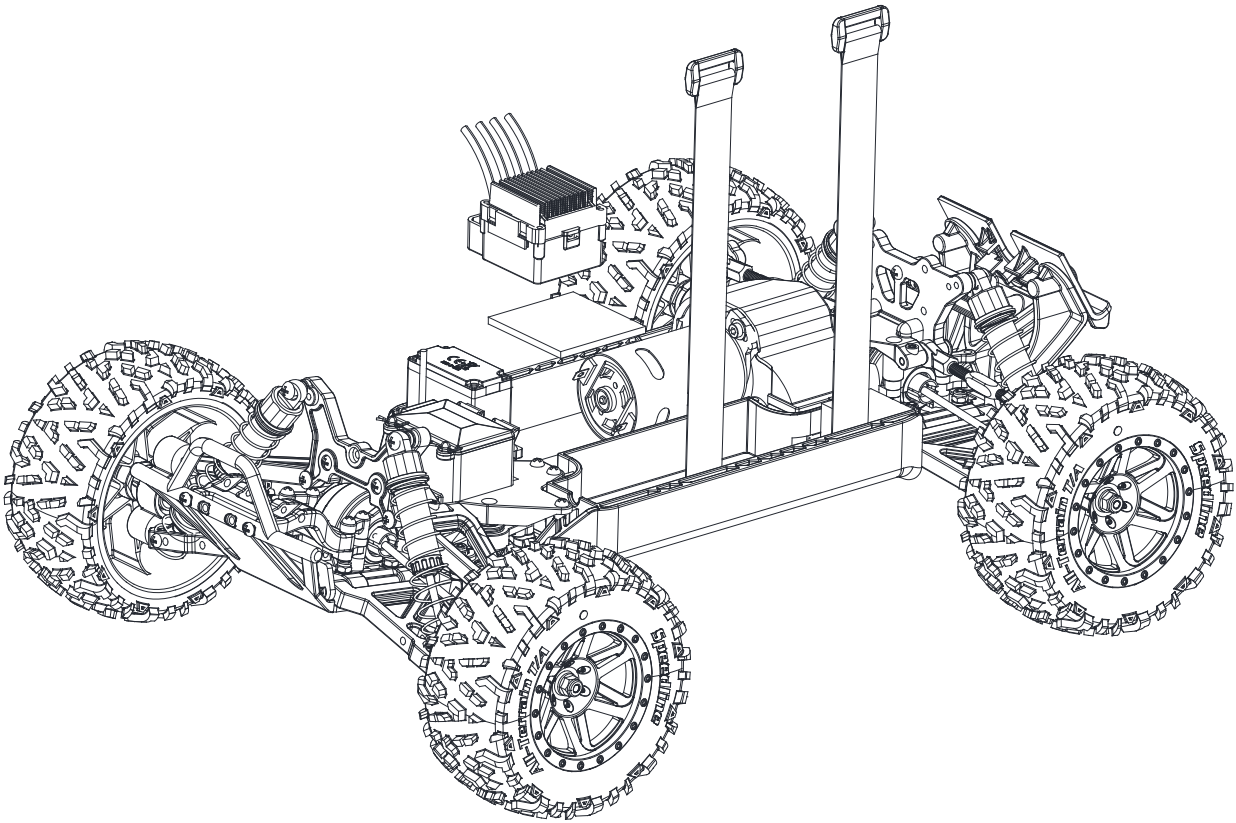
36

☐ ☉ M4 (4PCS)

tyre set

(P)

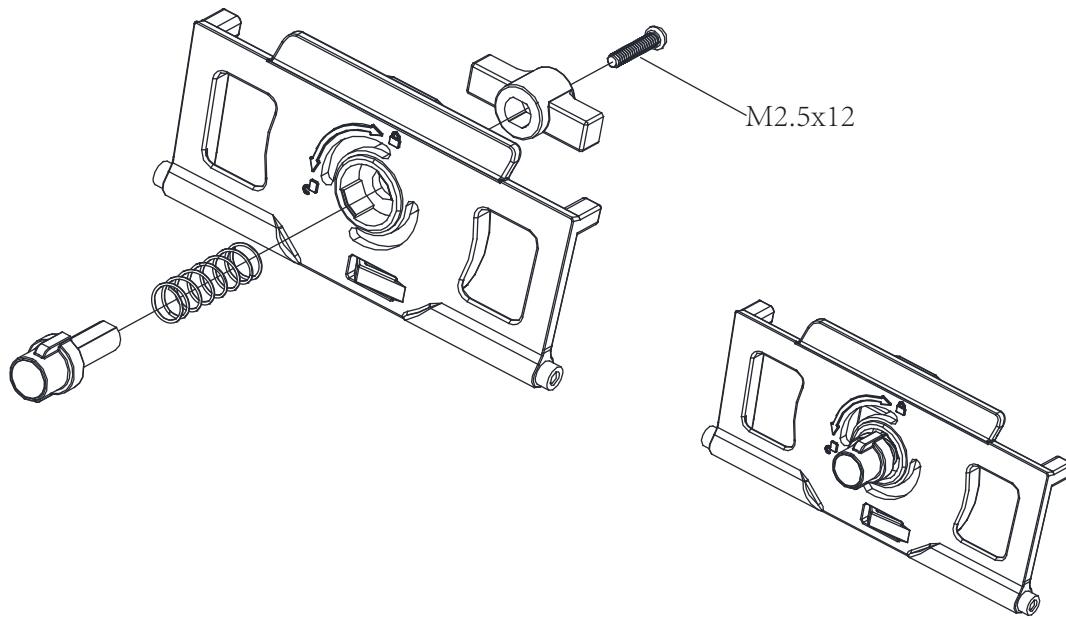




38

  M2.5x12 (1PC)

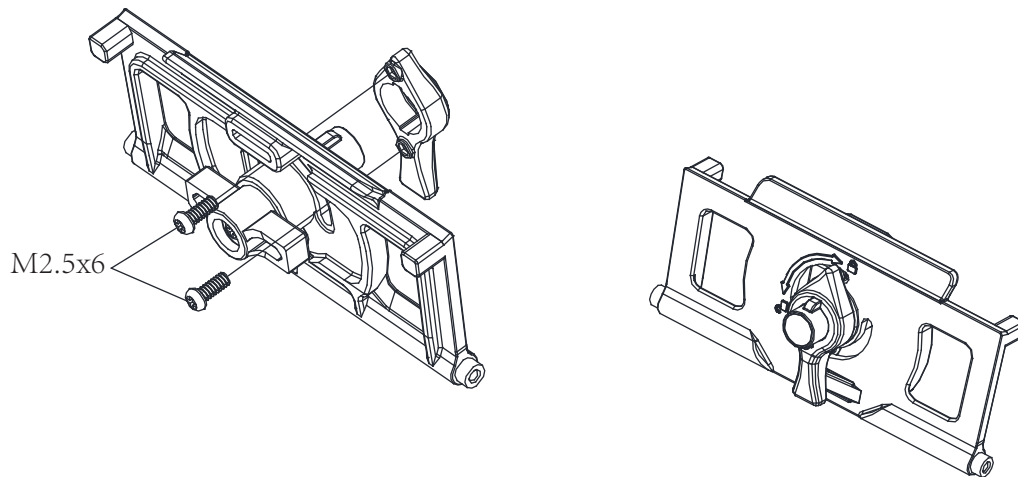
(R-1)



39

  M2.5x6 (2PCS)

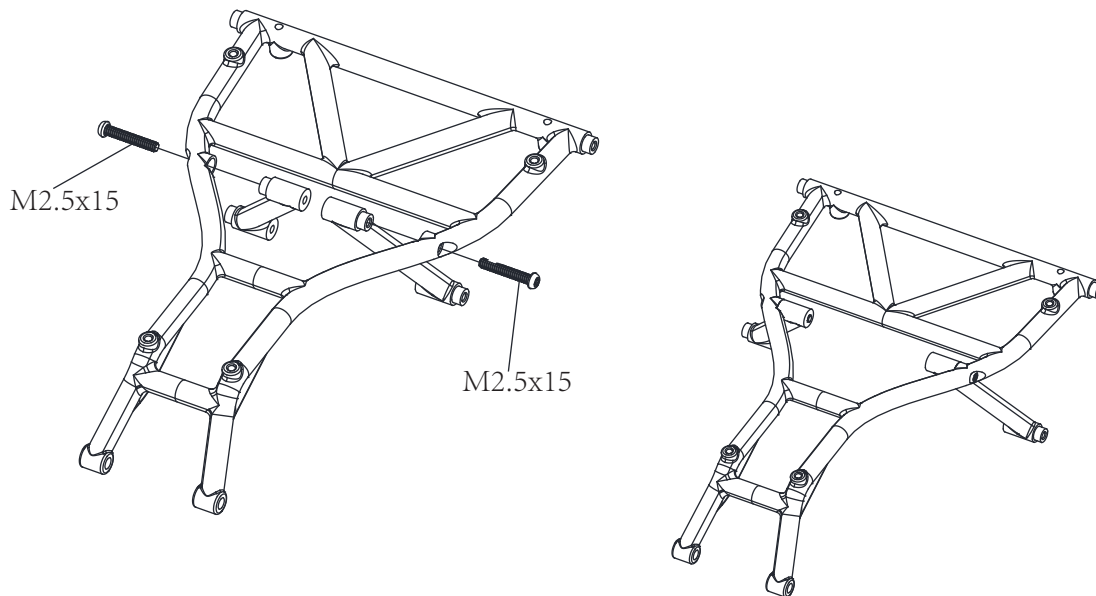
(R-2)






40

  M2.5x15 (2PCS)

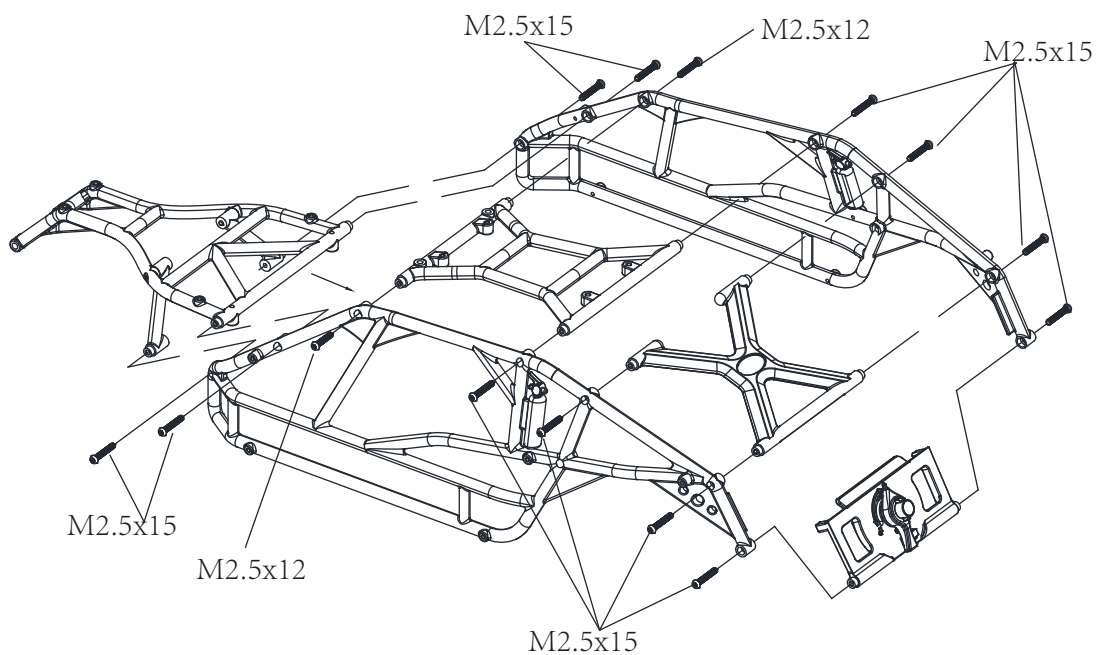
(S-1)



41

  M2.5x12 (2PCS)
  M2.5x15 (12PCS)

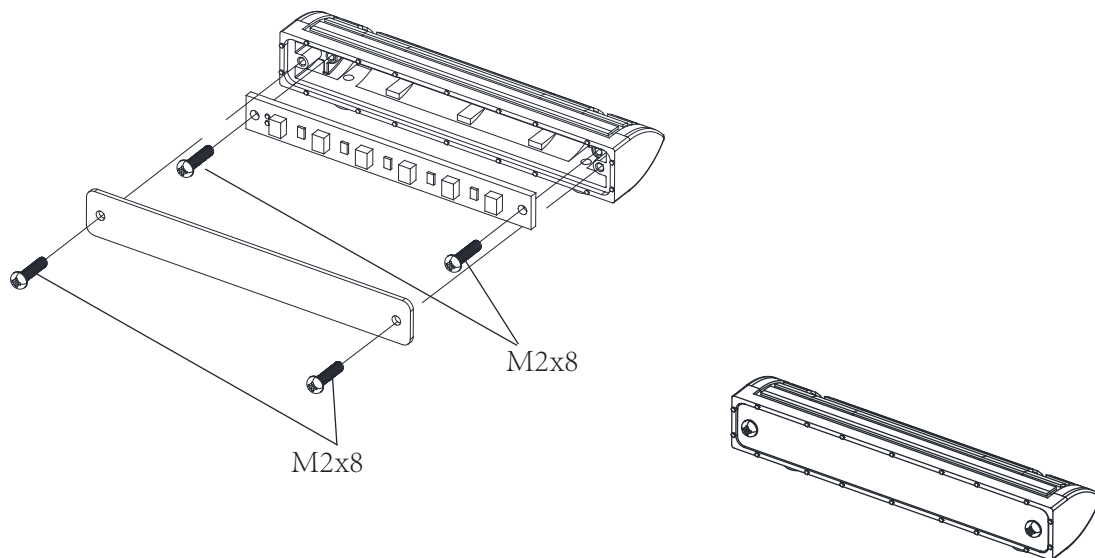
(S-2)



44

  M2x8 (4PCS)

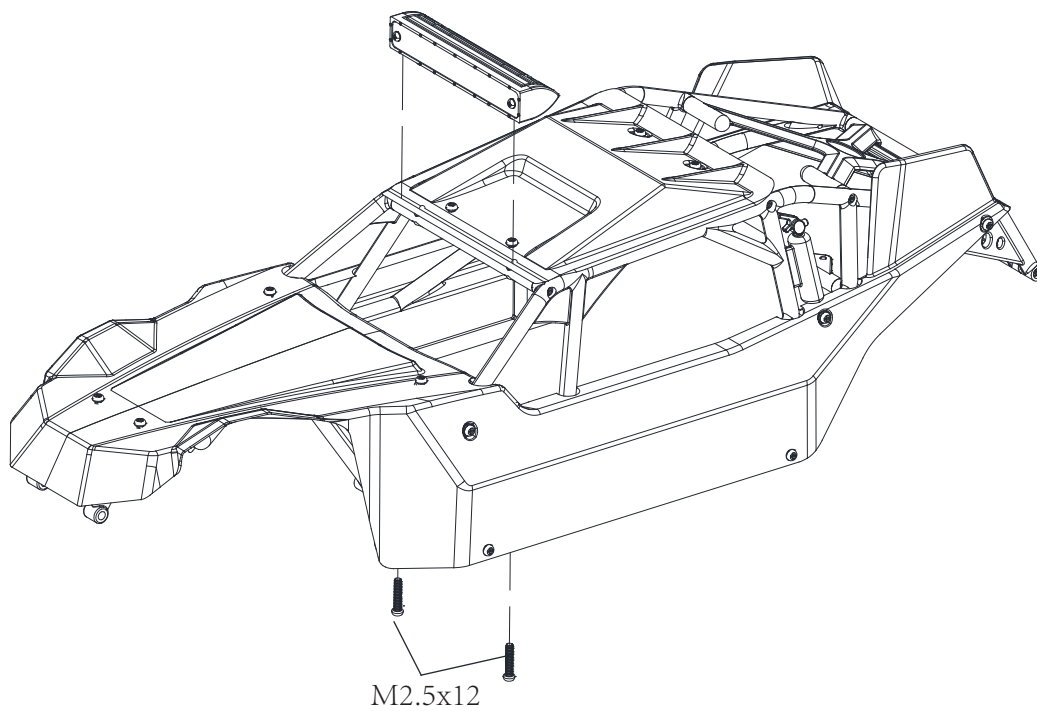
(U-1)



45

  M2.5x12 (2PCS)

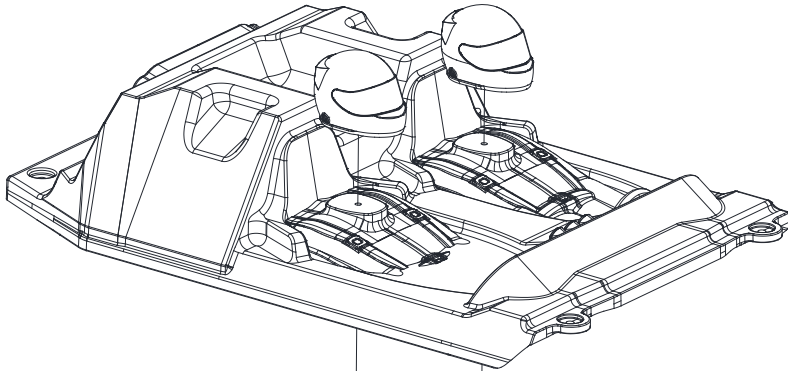
(U-2)



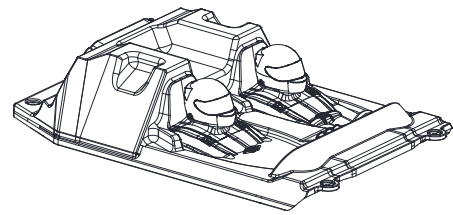
46

  M3x8 (2PCS)

(V-1)



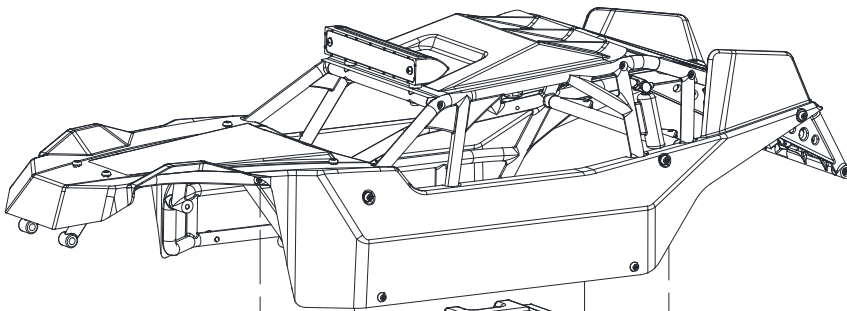
M3x8



47

  M2.5x8 (4PCS)

(V-2)



M2.5x8

M2.5x8

