

# Mercury Free Silver oxide batteries

## SR416SW (337)



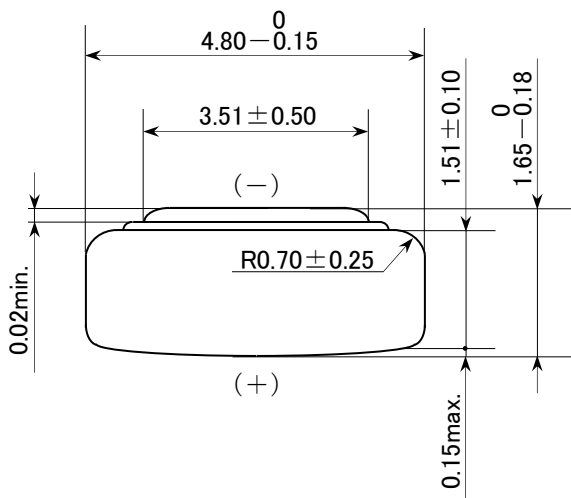
### Specifications

Average Service Capacity( to 1.2 volts) ..... 8.3 mAh  
 (Rated capacity at 100k ohms at 23°C)  
 Terminals ..... Flat contacts  
 Average weight ..... 0.13 g

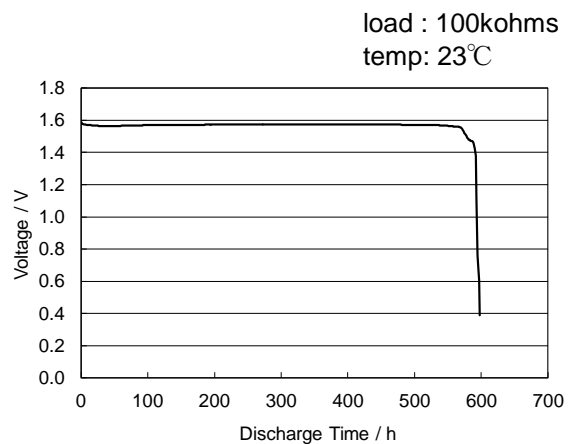
### Characteristics

Minimum OCV ..... 1.55 volts  
 Minimum -10°C CCV (2k ohms / 7.8m seconds) ..... 1.05 volts  
 Minimum Capacity (100k ohms to 1.2 volts) ..... 7.5 mAh

### Dimension



### Discharge curve



# Mercury Free Silver oxide batteries

## SR421SW (348)



### Specifications

Average Service Capacity( to 1.2 volts) ..... 12.5 mAh  
(Rated capacity at 68k ohms at 23°C)

Terminals ..... Flat contacts

Average weight ..... 0.17 g

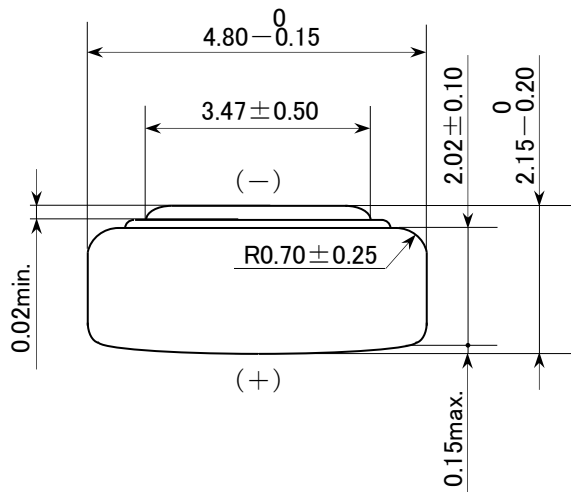
### Characteristics

Minimum OCV ..... 1.55 volts

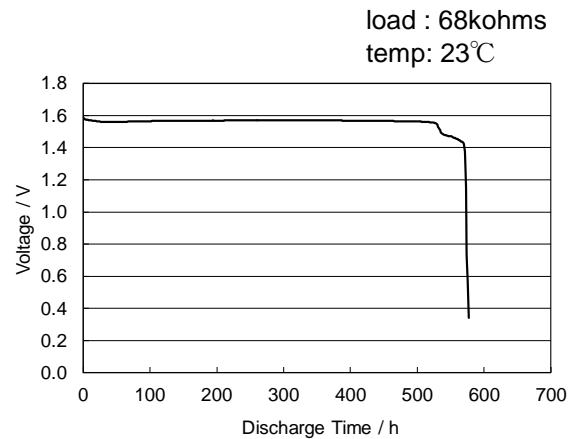
Minimum -10°C CCV (2k ohms / 7.8m seconds) ..... 1.05 volts

Minimum Capacity (68k ohms to 1.2 volts) ..... 11.3 mAh

### Dimension



### Discharge curve



# Mercury Free Silver oxide batteries

## SR512SW (335)



### Specifications

Average Service Capacity( to 1.2 volts) ..... 6 mAh  
(Rated capacity at 150k ohms at 23°C)

Terminals ..... Flat contacts

Average weight ..... 0.13 g

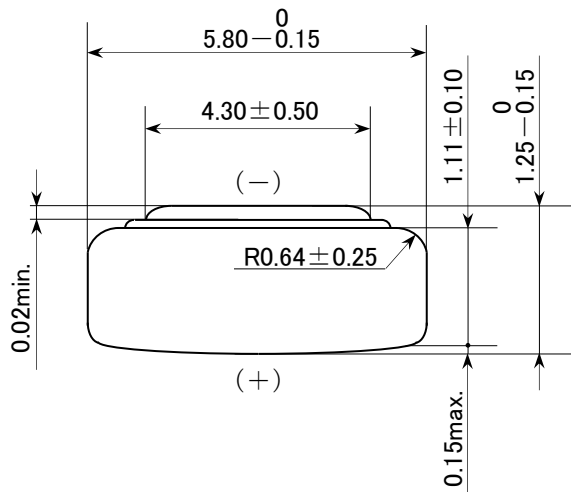
### Characteristics

Minimum OCV ..... 1.55 volts

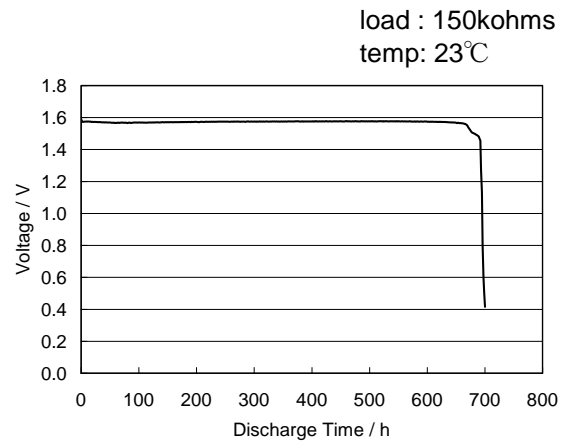
Minimum -10°C CCV (2k ohms / 7.8m seconds) ..... 1.10 volts

Minimum Capacity (150k ohms to 1.2 volts) ..... 5.4 mAh

### Dimension



### Discharge curve



# Mercury Free Silver oxide batteries

## SR516SW (317)



### Specifications

Average Service Capacity( to 1.2 volts) ..... 11.5 mAh  
(Rated capacity at 68k ohms at 23°C)

Terminals ..... Flat contacts

Average weight ..... 0.17 g

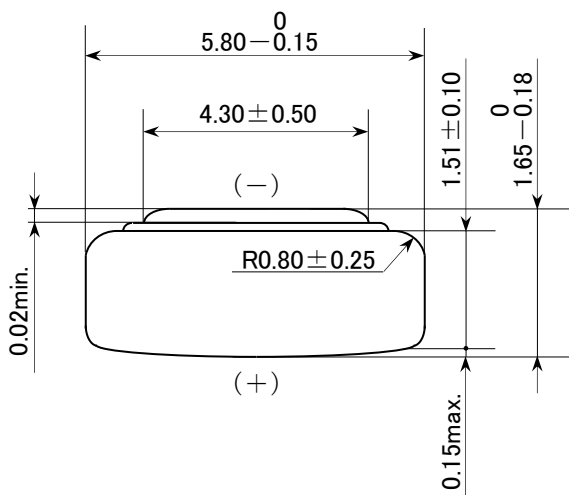
### Characteristics

Minimum OCV ..... 1.55 volts

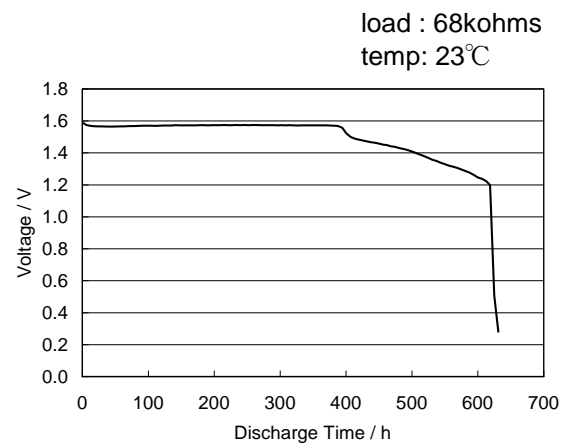
Minimum -10°C CCV (2k ohms / 7.8m seconds) ..... 1.10 volts

Minimum Capacity (68k ohms to 1.2 volts) ..... 10.4 mAh

### Dimension



### Discharge curve



# Mercury Free Silver oxide batteries

## SR521SW (379)



### Specifications

Average Service Capacity( to 1.2 volts) ..... 16 mAh  
(Rated capacity at 47k ohms at 23°C)

Terminals ..... Flat contacts

Average weight ..... 0.23 g

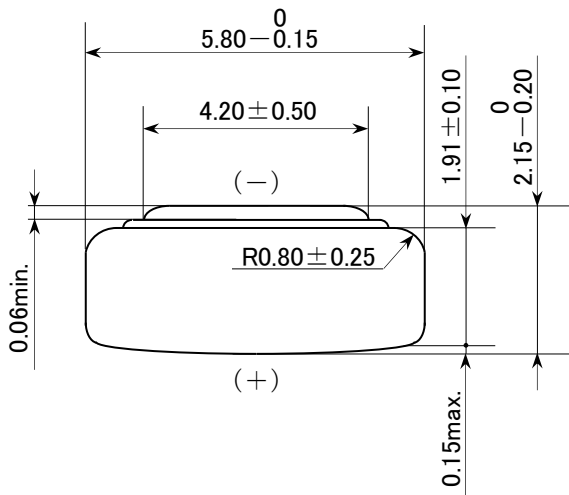
### Characteristics

Minimum OCV ..... 1.55 volts

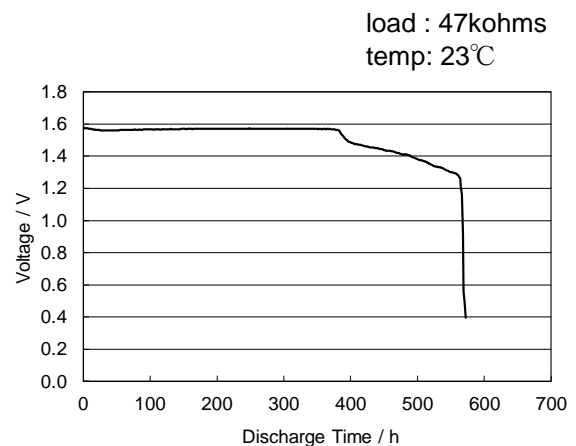
Minimum -10°C CCV (2k ohms / 7.8m seconds) ..... 1.10 volts

Minimum Capacity (47k ohms to 1.2 volts) ..... 14.4 mAh

### Dimension



### Discharge curve



# Mercury Free Silver oxide batteries

## SR527SW (319)



### Specifications

Average Service Capacity( to 1.2 volts) ..... 22.5 mAh  
(Rated capacity at 47k ohms at 23°C)

Terminals ..... Flat contacts

Average weight ..... 0.29 g

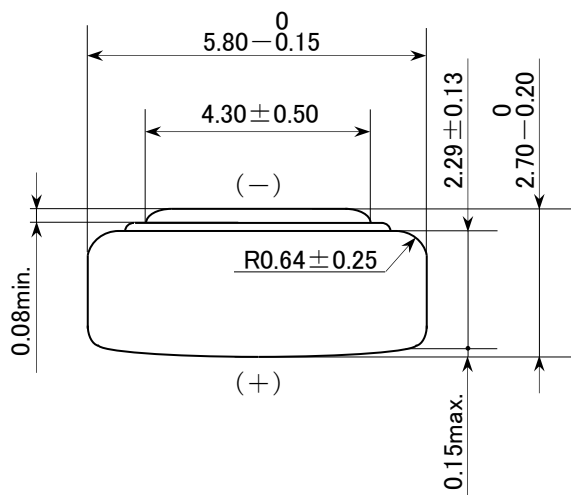
### Characteristics

Minimum OCV ..... 1.55 volts

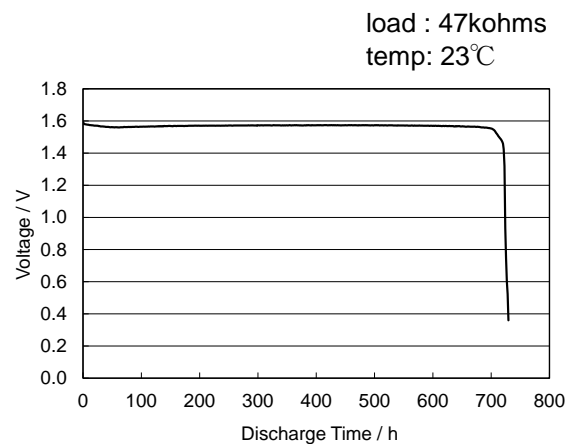
Minimum -10°C CCV (2k ohms / 7.8m seconds) ..... 1.10 volts

Minimum Capacity (47k ohms to 1.2 volts) ..... 20.3 mAh

### Dimension



### Discharge curve



# Mercury Free Silver oxide batteries

## SR616SW (321)



### Specifications

Average Service Capacity( to 1.2 volts) ..... 16 mAh  
(Rated capacity at 47k ohms at 23°C)

Terminals ..... Flat contacts

Average weight ..... 0.26 g

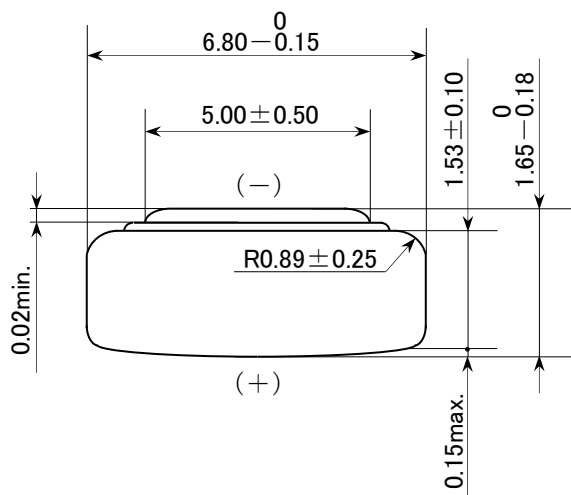
### Characteristics

Minimum OCV ..... 1.55 volts

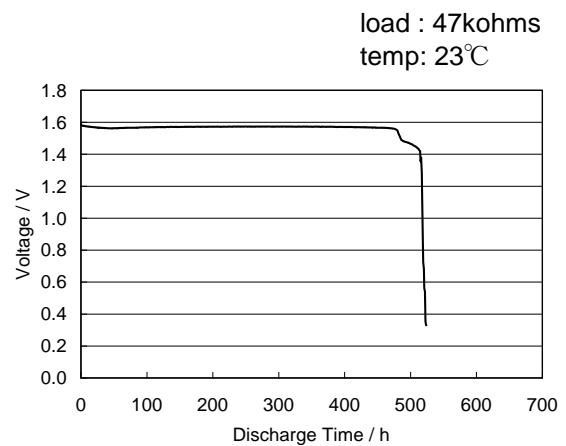
Minimum -10°C CCV (2k ohms / 7.8m seconds) ..... 1.15 volts

Minimum Capacity (47k ohms to 1.2 volts) ..... 14.4 mAh

### Dimension



### Discharge curve



# Mercury Free Silver oxide batteries

## SR621SW(364)



### Specifications

Average Service Capacity( to 1.2 volts) ..... 18 mAh  
(Rated capacity at 30k ohms at 23°C)

Terminals ..... Flat contacts

Average weight ..... 0.29 g

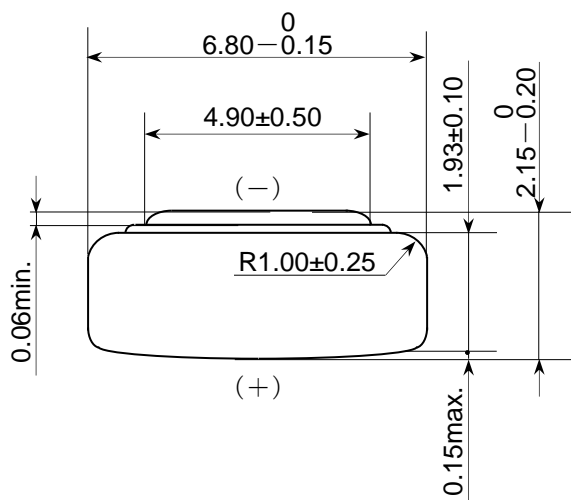
### Characteristics

Minimum OCV ..... 1.55 volts

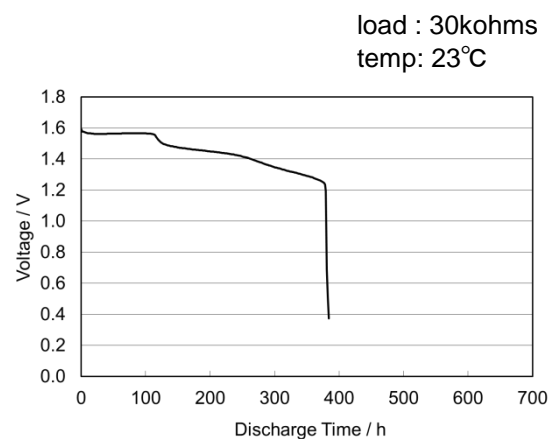
Minimum -10°C CCV (2k ohms / 7.8m seconds) ..... 1.15 volts

Minimum Capacity (30k ohms to 1.2 volts) ..... 16.2 mAh

### Dimension



### Discharge curve





# Mercury Free Silver oxide batteries

## SR626SW (377)



### Specifications

Average Service Capacity( to 1.2 volts) ..... 26 mAh  
(Rated capacity at 30k ohms at 23°C)

Terminals ..... Flat contacts

Average weight ..... 0.36 g

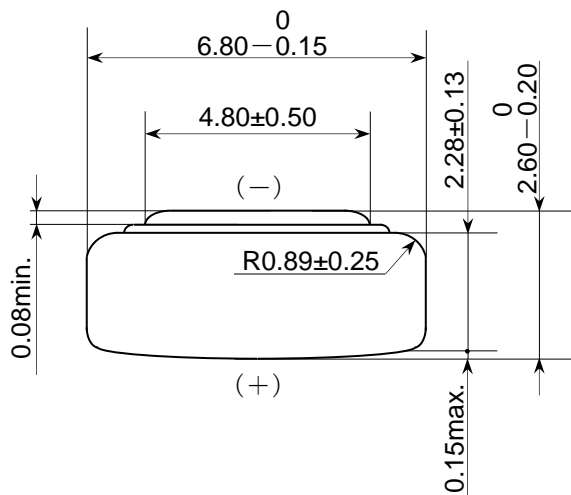
### Characteristics

Minimum OCV ..... 1.55 volts

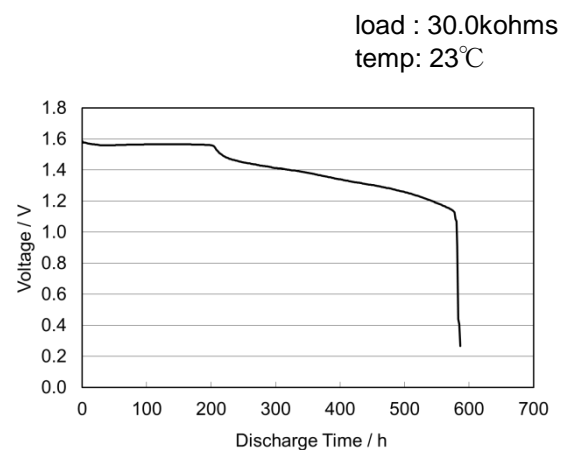
Minimum -10°C CCV (2k ohms / 7.8m seconds) ..... 1.15 volts

Minimum Capacity (30k ohms to 1.2 volts) ..... 23.4 mAh

### Dimension



### Discharge curve



# Mercury Free Silver oxide batteries

## SR626W (376)



### Specifications

Average Service Capacity( to 1.2 volts) ..... 28 mAh  
(Rated capacity at 30k ohms at 23°C)

Terminals ..... Flat contacts

Average weight ..... 0.39 g

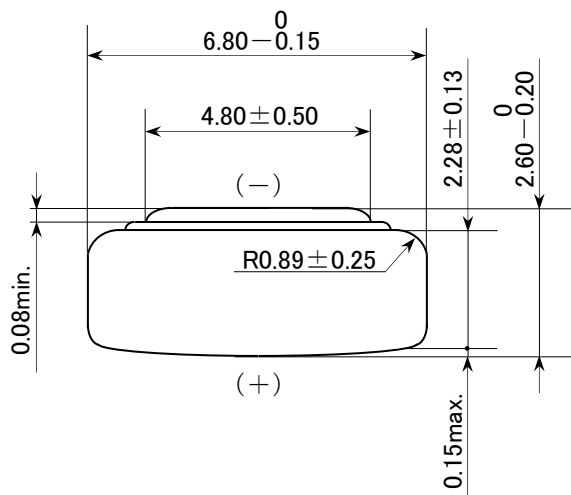
### Characteristics

Minimum OCV ..... 1.55 volts

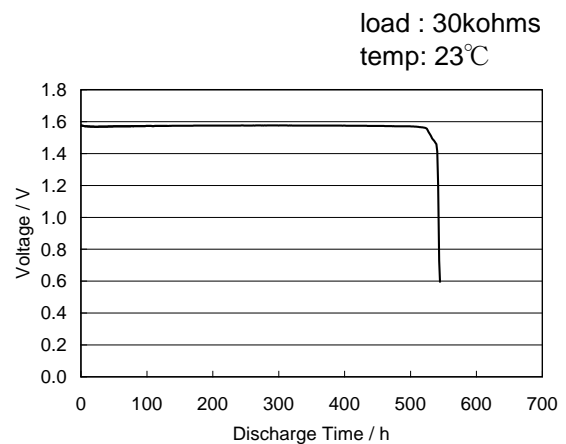
Minimum -10°C CCV (200 ohms / 5 seconds) ..... 0.90 volts

Minimum Capacity (30k ohms to 1.2 volts) ..... 25.2 mAh

### Dimension



### Discharge curve



# Mercury Free Silver oxide batteries

## SR712SW (346)



### Specifications

Average Service Capacity( to 1.2 volts) ..... 9.5 mAh  
(Rated capacity at 100k ohms at 23°C)

Terminals ..... Flat contacts

Average weight ..... 0.25 g

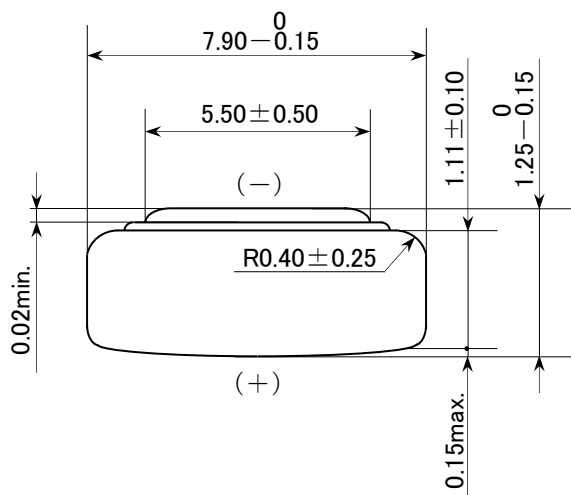
### Characteristics

Minimum OCV ..... 1.55 volts

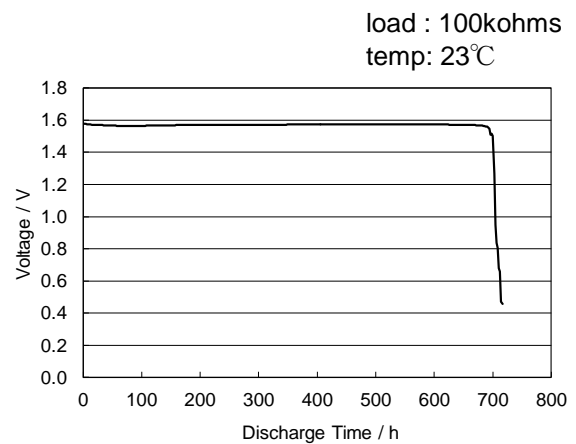
Minimum -10°C CCV (2k ohms / 7.8m seconds) ..... 1.20 volts

Minimum Capacity (100k ohms to 1.2 volts) ..... 8.6 mAh

### Dimension



### Discharge curve



# Mercury Free Silver oxide batteries

## SR714SW (341)



### Specifications

Average Service Capacity( to 1.2 volts) ..... 15 mAh  
(Rated capacity at 68k ohms at 23°C)

Terminals ..... Flat contacts

Average weight ..... 0.27 g

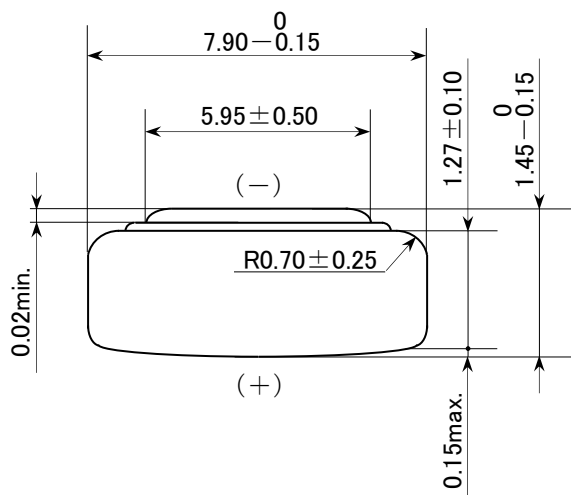
### Characteristics

Minimum OCV ..... 1.55 volts

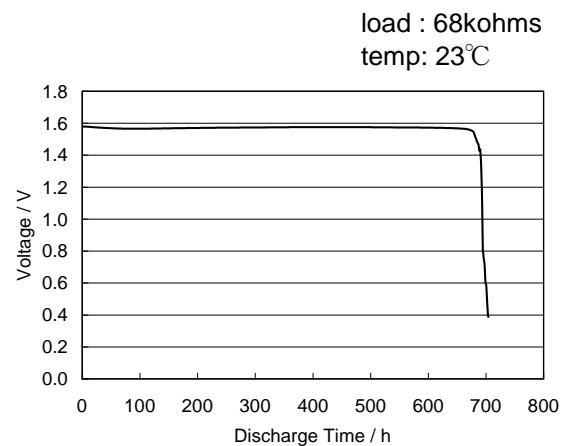
Minimum -10°C CCV (2k ohms / 7.8m seconds) ..... 1.20 volts

Minimum Capacity (68k ohms to 1.2 volts) ..... 13.5 mAh

### Dimension



### Discharge curve



# Mercury Free Silver oxide batteries

## SR716SW (315)



### Specifications

Average Service Capacity( to 1.2 volts) ..... 23 mAh  
(Rated capacity at 30k ohms at 23°C)

Terminals ..... Flat contacts

Average weight ..... 0.33 g

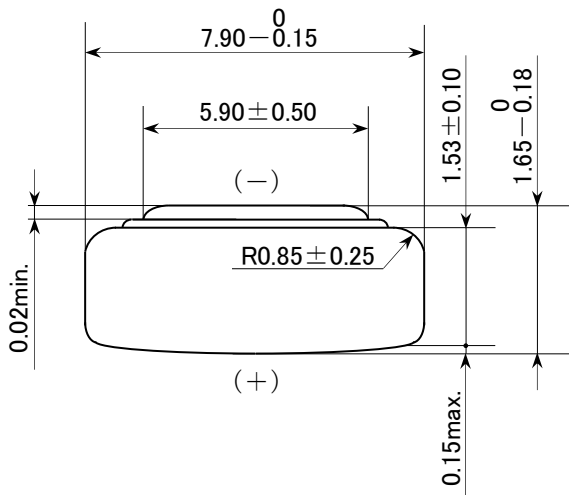
### Characteristics

Minimum OCV ..... 1.55 volts

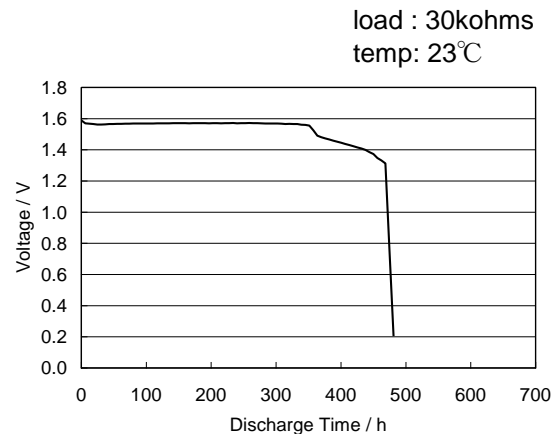
Minimum -10°C CCV (2k ohms / 7.8m seconds) ..... 1.20 volts

Minimum Capacity (30k ohms to 1.2 volts) ..... 20.7 mAh

### Dimension



### Discharge curve



# Mercury Free Silver oxide batteries

## SR721SW (362)



### Specifications

Average Service Capacity( to 1.2 volts) ..... 25 mAh  
(Rated capacity at 30k ohms at 23°C)

Terminals ..... Flat contacts

Average weight ..... 0.38 g

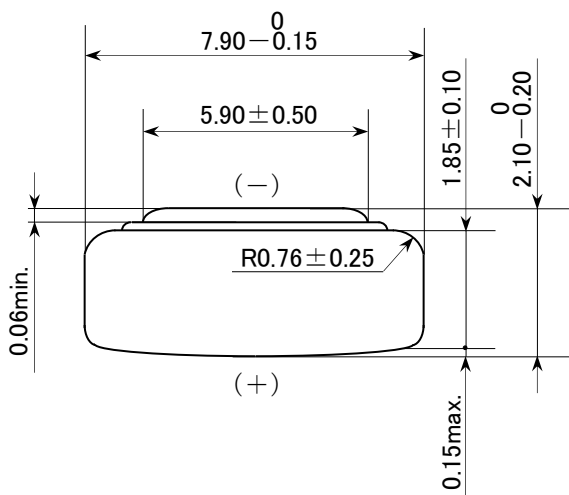
### Characteristics

Minimum OCV ..... 1.55 volts

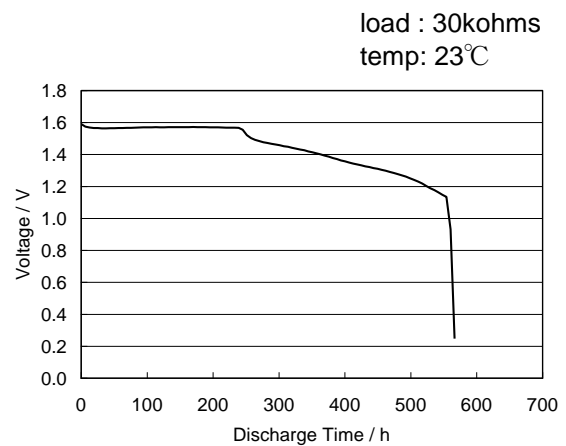
Minimum -10°C CCV (2k ohms / 7.8m seconds) ..... 1.20 volts

Minimum Capacity (30k ohms to 1.2 volts) ..... 22.5 mAh

### Dimension



### Discharge curve



# Mercury Free Silver oxide batteries

## SR721W (361)



### Specifications

Average Service Capacity( to 1.2 volts) ..... 29 mAh  
(Rated capacity at 30k ohms at 23°C)

Terminals ..... Flat contacts

Average weight ..... 0.41 g

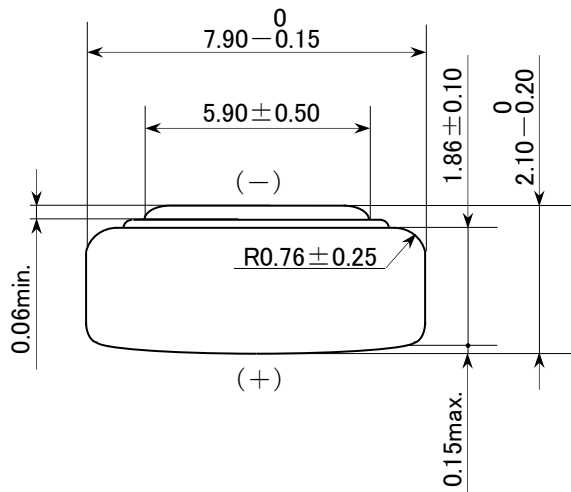
### Characteristics

Minimum OCV ..... 1.55 volts

Minimum -10°C CCV (200 ohms / 5 seconds) ..... 1.00 volts

Minimum Capacity (30k ohms to 1.2 volts) ..... 26.1 mAh

### Dimension



### Discharge curve

