

# Mercury Free Silver oxide batteries

## SR726SW (397)



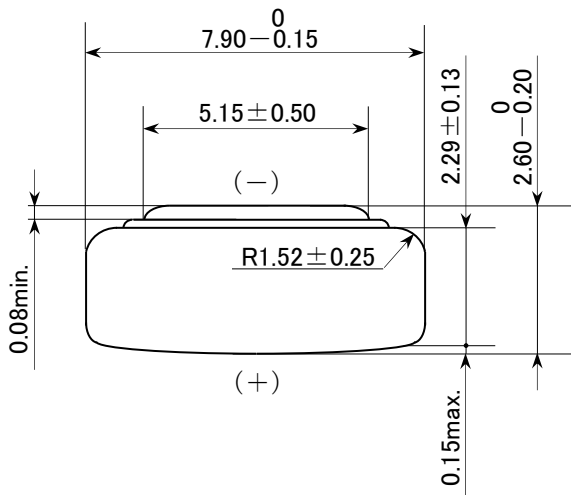
### Specifications

Average Service Capacity( to 1.2 volts) ..... 35 mAh  
 (Rated capacity at 22k ohms at 23°C)  
 Terminals ..... Flat contacts  
 Average weight ..... 0.49 g

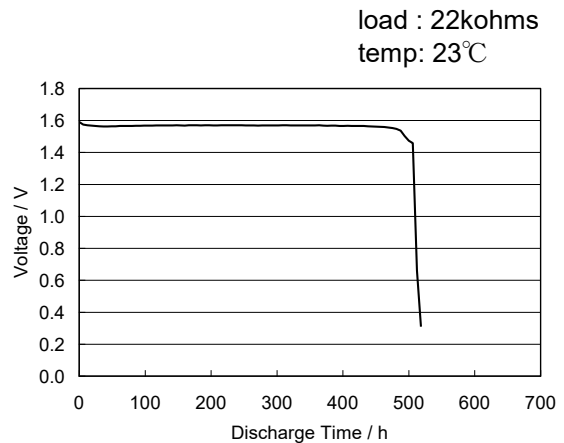
### Characteristics

Minimum OCV ..... 1.55 volts  
 Minimum -10°C CCV (2k ohms / 7.8m seconds) ..... 1.20 volts  
 Minimum Capacity (22k ohms to 1.2 volts) ..... 31.5 mAh

### Dimension



### Discharge curve



# Mercury Free Silver oxide batteries

## SR726W (396)



### Specifications

Average Service Capacity( to 1.2 volts) ..... 35 mAh  
(Rated capacity at 22k ohms at 23°C)

Terminals ..... Flat contacts

Average weight ..... 0.48 g

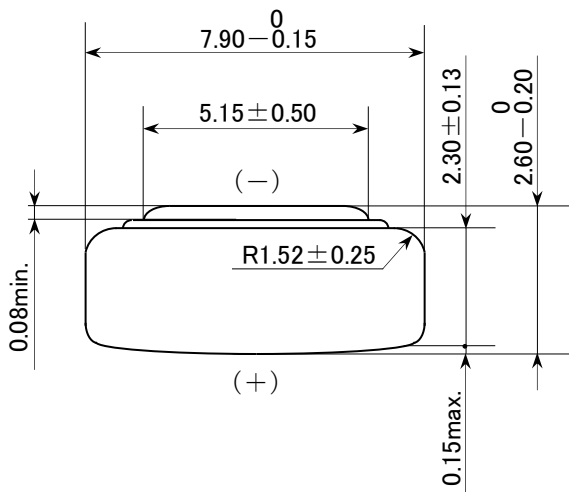
### Characteristics

Minimum OCV ..... 1.55 volts

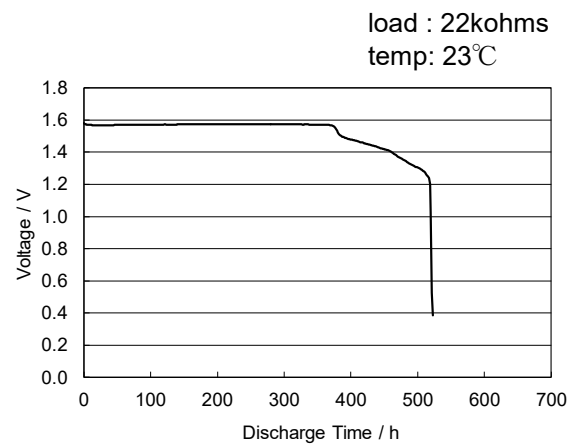
Minimum -10°C CCV (200 ohms / 5 seconds) ..... 1.00 volts

Minimum Capacity (22k ohms to 1.2 volts) ..... 31.5 mAh

### Dimension



### Discharge curve



# Mercury Free Silver oxide batteries

## SR731SW (329)



### Specifications

Average Service Capacity( to 1.2 volts) ..... 39 mAh  
(Rated capacity at 22k ohms at 23°C)

Terminals ..... Flat contacts

Average weight ..... 0.57 g

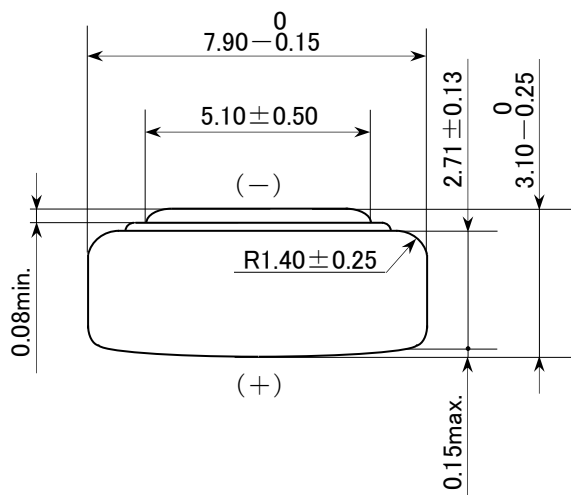
### Characteristics

Minimum OCV ..... 1.55 volts

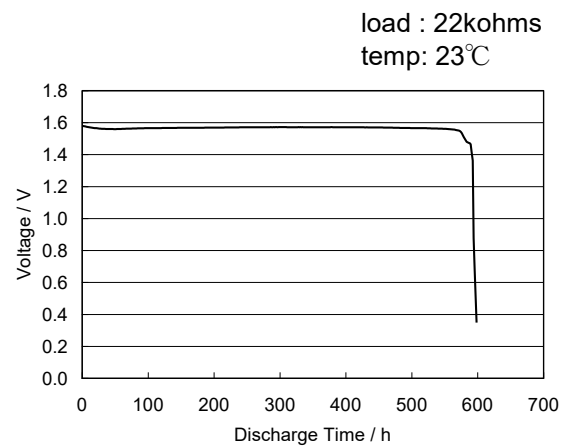
Minimum -10°C CCV (2k ohms / 7.8m seconds) ..... 1.20 volts

Minimum Capacity (22k ohms to 1.2 volts) ..... 35.1 mAh

### Dimension



### Discharge curve



# Mercury Free Silver oxide batteries

## SR41 (392/384)



### Specifications

Average Service Capacity( to 1.2 volts) ..... 45 mAh  
(Rated capacity at 22k ohms at 23°C)

Terminals ..... Flat contacts

Average weight ..... 0.64 g

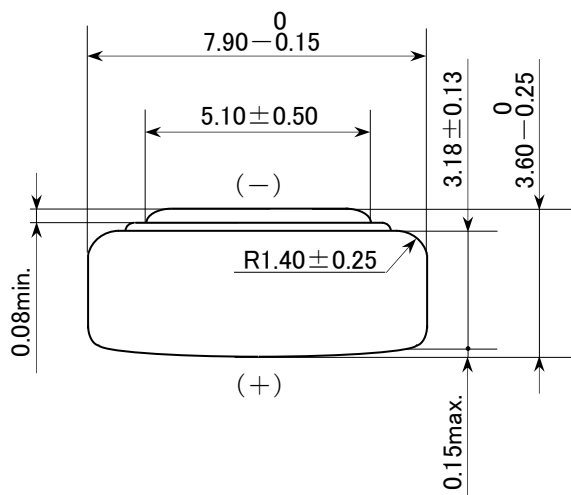
### Characteristics

Minimum OCV ..... 1.55 volts

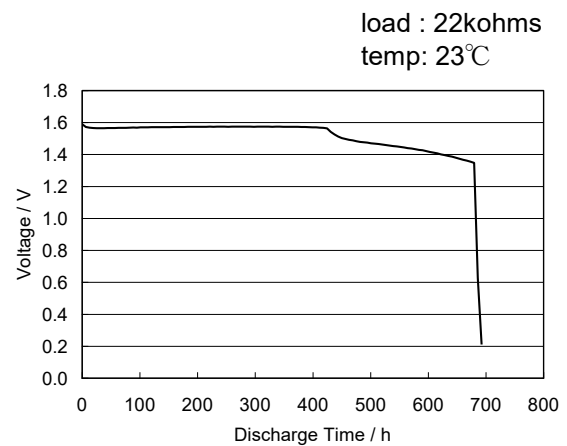
Minimum -10°C CCV (200 ohms / 5 seconds) ..... 1.00 volts

Minimum Capacity (22k ohms to 1.2 volts) ..... 40.5 mAh

### Dimension



### Discharge curve



# Mercury Free Silver oxide batteries

## SR48 (393)



### Specifications

Average Service Capacity( to 1.2 volts) ..... 75 mAh  
(Rated capacity at 10k ohms at 23°C)

Terminals ..... Flat contacts

Average weight ..... 1.1 g

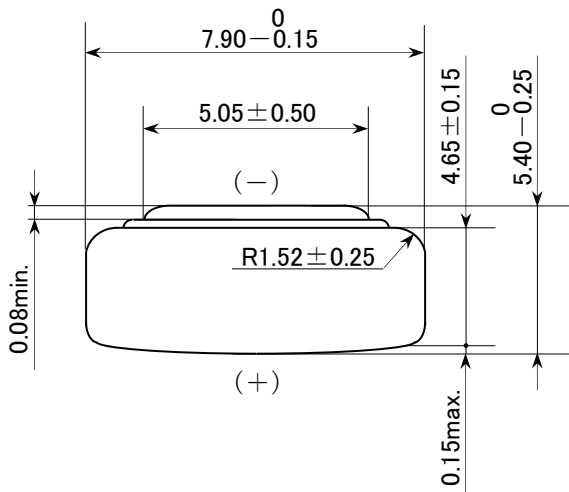
### Characteristics

Minimum OCV ..... 1.55 volts

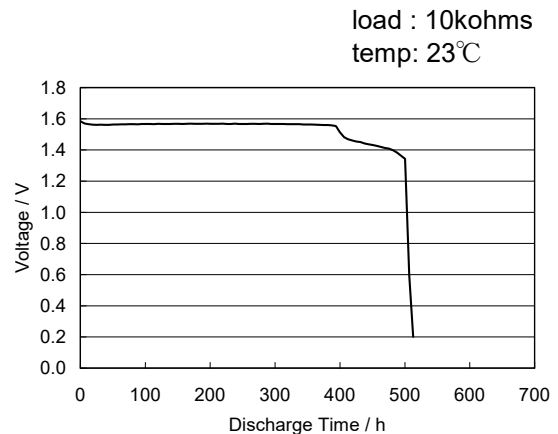
Minimum -10°C CCV (200 ohms / 5 seconds) ..... 1.00 volts

Minimum Capacity (10k ohms to 1.2 volts) ..... 67.5 mAh

### Dimension



### Discharge curve



# Mercury Free Silver oxide batteries

## SR916SW (373)



### Specifications

Average Service Capacity( to 1.2 volts) ..... 30 mAh  
(Rated capacity at 30k ohms at 23°C)

Terminals ..... Flat contacts

Average weight ..... 0.49 g

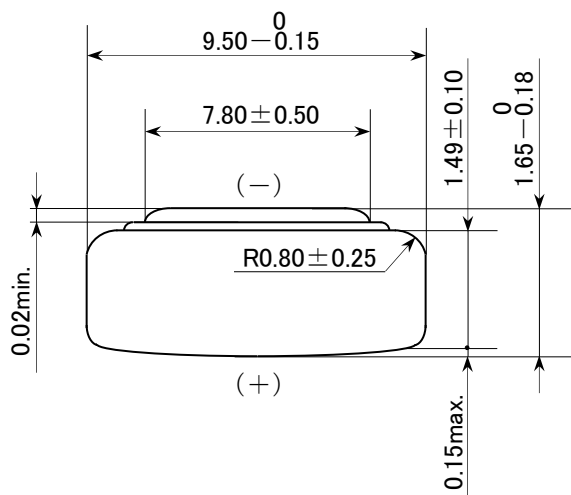
### Characteristics

Minimum OCV ..... 1.55 volts

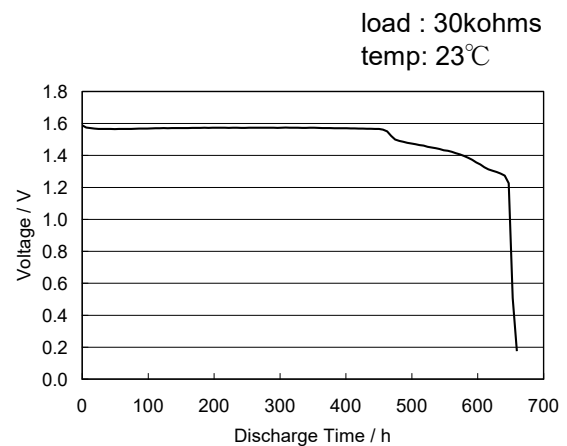
Minimum -10°C CCV (2k ohms / 7.8m seconds) ..... 1.25 volts

Minimum Capacity (30k ohms to 1.2 volts) ..... 27 mAh

### Dimension



### Discharge curve



# Mercury Free Silver oxide batteries

## SR920SW (371)



### Specifications

Average Service Capacity( to 1.2 volts) ..... 35 mAh  
(Rated capacity at 22k ohms at 23°C)

Terminals ..... Flat contacts

Average weight ..... 0.53 g

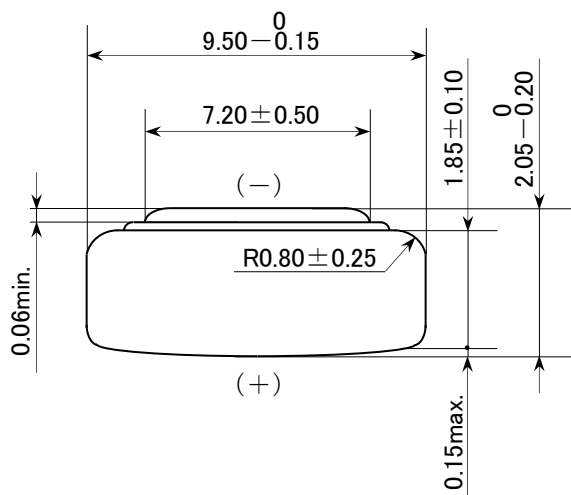
### Characteristics

Minimum OCV ..... 1.55 volts

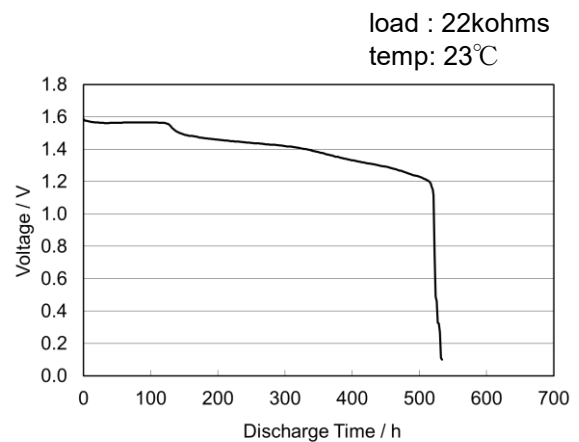
Minimum -10°C CCV (2k ohms / 7.8m seconds) ..... 1.25 volts

Minimum Capacity (22k ohms to 1.2 volts) ..... 31.5 mAh

### Dimension



### Discharge curve



# Mercury Free Silver oxide batteries

## SR920W (370)



### Specifications

Average Service Capacity( to 1.2 volts) ..... 40 mAh  
(Rated capacity at 22k ohms at 23°C)

Terminals ..... Flat contacts

Average weight ..... 0.58 g

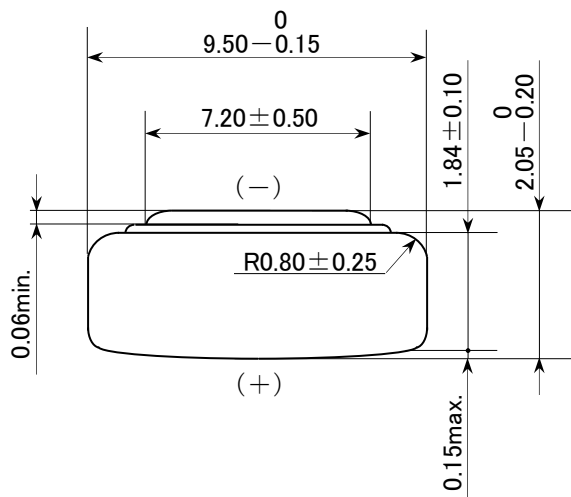
### Characteristics

Minimum OCV ..... 1.55 volts

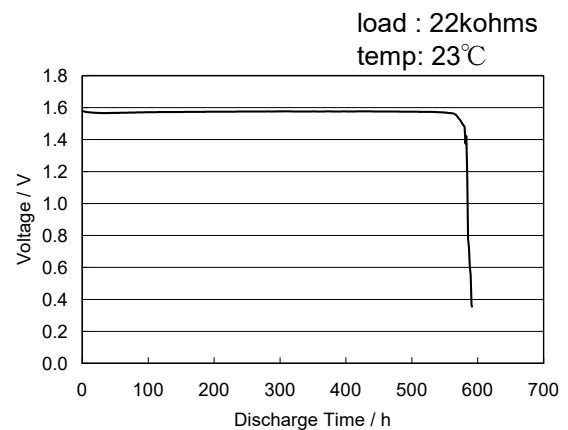
Minimum -10°C CCV (200 ohms / 5 seconds) ..... 1.10 volts

Minimum Capacity (22k ohms to 1.2 volts) ..... 36 mAh

### Dimension



### Discharge curve





# Mercury Free Silver oxide batteries

## SR927 (395/399)



### Specifications

Average Service Capacity( to 1.2 volts) ..... 52 mAh  
(Rated capacity at 15k ohms at 23°C)

Terminals ..... Flat contacts

Average weight ..... 0.70 g

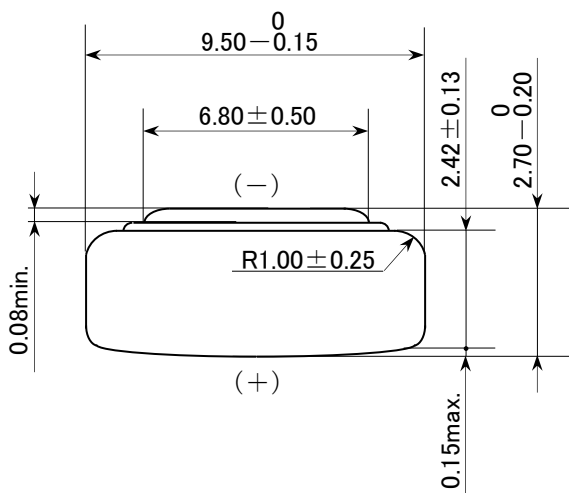
### Characteristics

Minimum OCV ..... 1.55 volts

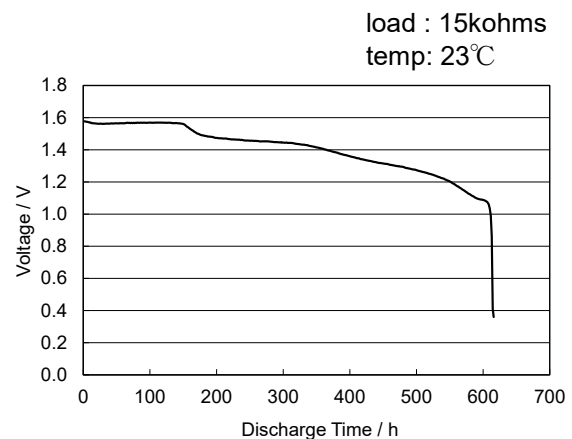
Minimum -10°C CCV (200 ohms / 5 seconds) ..... 1.00 volts

Minimum Capacity (15k ohms to 1.2 volts) ..... 46.5 mAh

### Dimension



### Discharge curve



# Mercury Free Silver oxide batteries

## SR936SW (394)



### Specifications

Average Service Capacity( to 1.2 volts) ..... 70 mAh  
(Rated capacity at 15k ohms at 23°C)

Terminals ..... Flat contacts

Average weight ..... 0.94 g

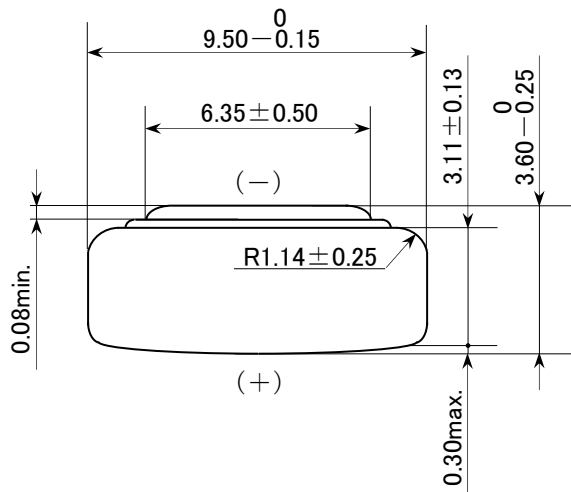
### Characteristics

Minimum OCV ..... 1.55 volts

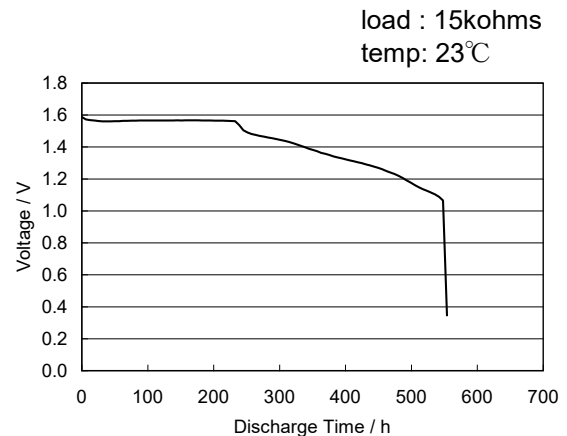
Minimum -10°C CCV (2k ohms / 7.8m seconds) ..... 1.25 volts

Minimum Capacity (15k ohms to 1.2 volts) ..... 63 mAh

### Dimension



### Discharge curve



# Mercury Free Silver oxide batteries

## SR1116 (365/366)



### Specifications

Average Service Capacity( to 1.2 volts) ..... 30 mAh  
(Rated capacity at 30k ohms at 23°C)

Terminals ..... Flat contacts

Average weight ..... 0.75 g

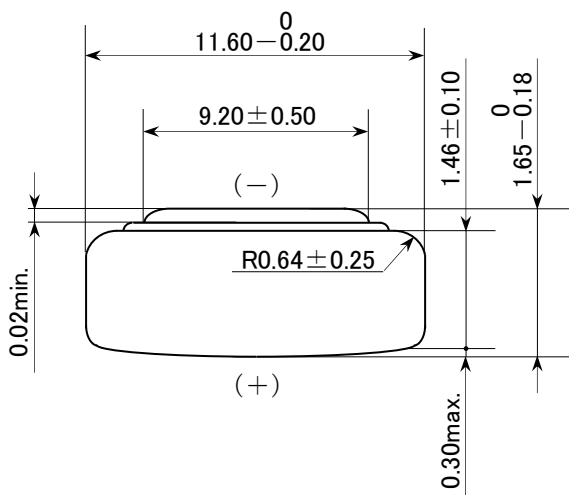
### Characteristics

Minimum OCV ..... 1.55 volts

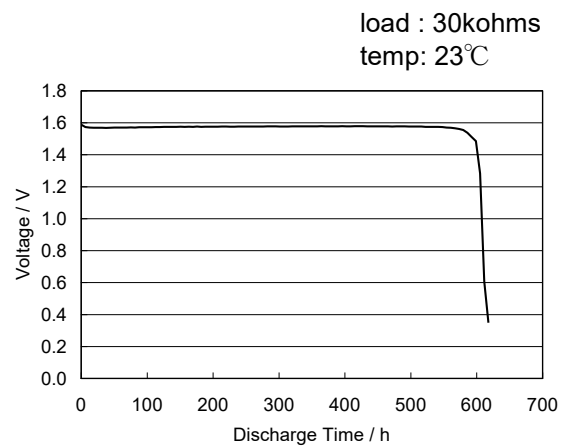
Minimum -10°C CCV (200 ohms / 5 seconds) ..... 1.10 volts

Minimum Capacity (30k ohms to 1.2 volts) ..... 27 mAh

### Dimension



### Discharge curve



# Mercury Free Silver oxide batteries

## SR1120 (391/381)



### Specifications

Average Service Capacity( to 1.2 volts) ..... 60 mAh  
(Rated capacity at 15k ohms at 23°C)

Terminals ..... Flat contacts

Average weight ..... 0.92 g

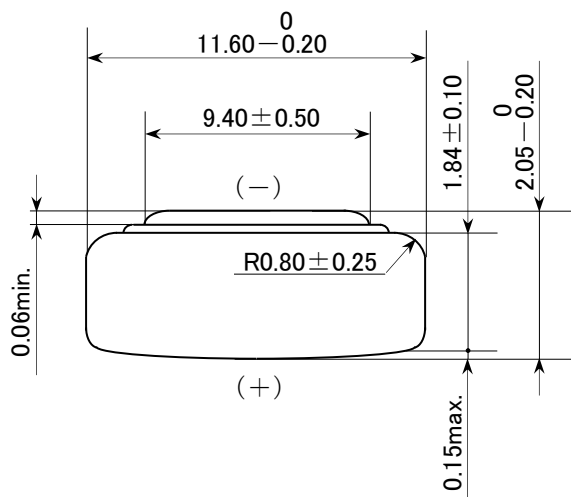
### Characteristics

Minimum OCV ..... 1.55 volts

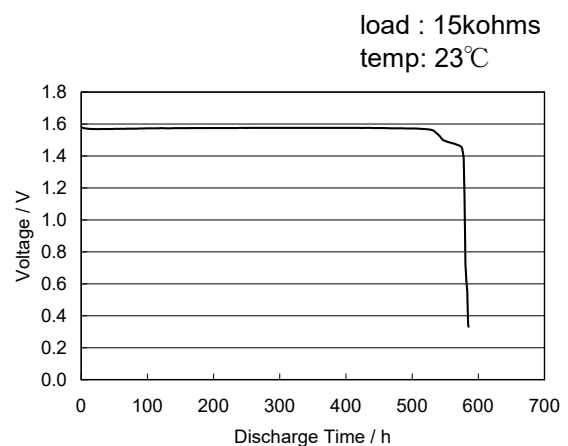
Minimum -10°C CCV (200 ohms / 5 seconds) ..... 1.10 volts

Minimum Capacity (15k ohms to 1.2 volts) ..... 54 mAh

### Dimension



### Discharge curve



# Mercury Free Silver oxide batteries

## SR1130 (389/390)



### Specifications

Average Service Capacity( to 1.2 volts) ..... 85 mAh  
(Rated capacity at 10k ohms at 23°C)

Terminals ..... Flat contacts

Average weight ..... 1.4 g

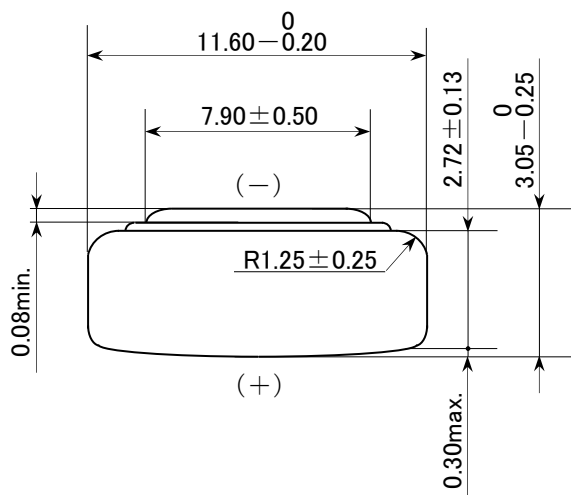
### Characteristics

Minimum OCV ..... 1.55 volts

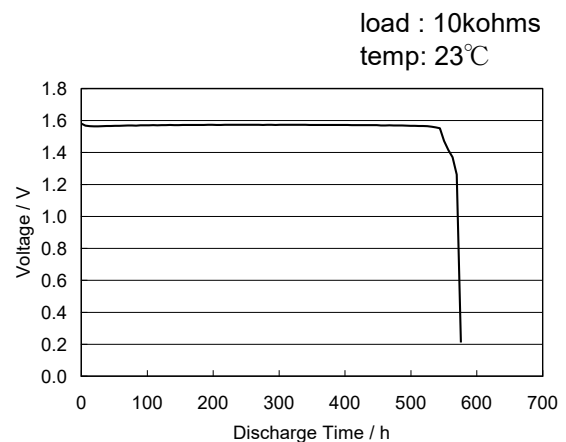
Minimum -10°C CCV (200 ohms / 5 seconds) ..... 1.10 volts

Minimum Capacity (10k ohms to 1.2 volts) ..... 76.5 mAh

### Dimension



### Discharge curve



# Mercury Free Silver oxide batteries

## SR43 (386/301)



### Specifications

Average Service Capacity( to 1.2 volts) ..... 110 mAh  
(Rated capacity at 6.8k ohms at 23°C)

Terminals ..... Flat contacts

Average weight ..... 1.8 g

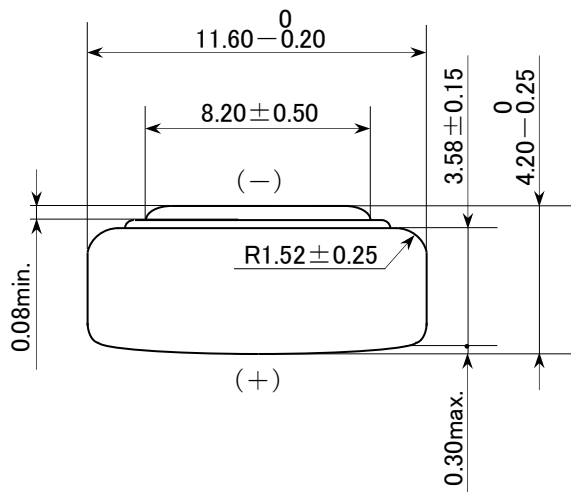
### Characteristics

Minimum OCV ..... 1.55 volts

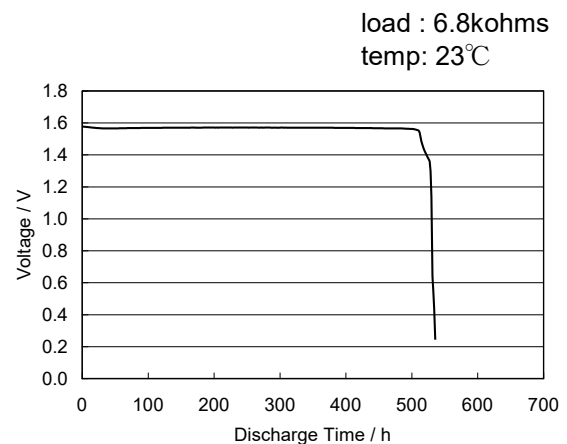
Minimum -10°C CCV (200 ohms / 5 seconds) ..... 1.10 volts

Minimum Capacity (6.8k ohms to 1.2 volts) ..... 99 mAh

### Dimension



### Discharge curve



# Mercury Free Silver oxide batteries

## SR44 (357/303)



### Specifications

Average Service Capacity( to 0.9 volts) ..... 160 mAh  
(Rated capacity at 4.7k ohms at 23°C)

Terminals ..... Flat contacts

Average weight ..... 2.1 g

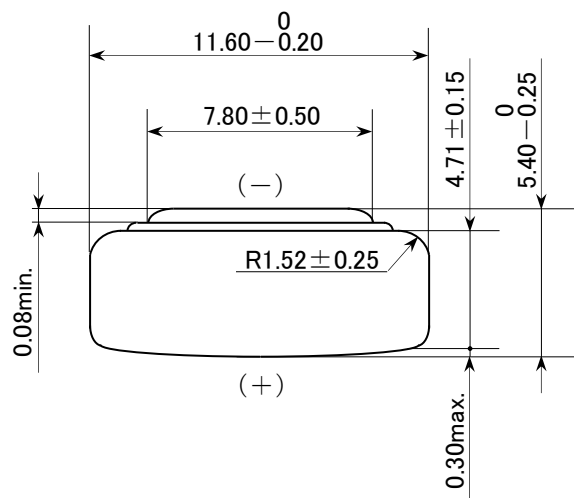
### Characteristics

Minimum OCV ..... 1.55 volts

Minimum -10°C CCV (200 ohms / 5 seconds) ..... 1.10 volts

Minimum Capacity (4.7k ohms to 0.9 volts) ..... 144 mAh

### Dimension



### Discharge curve

