

Overview

Bandwidth: 500MHz
 OD: 1.9*6.0mm
 Conductor: 32AWG
 Approvals: RoHS
 Connector: 3U" gold plated RJ45 connector

Physical Characteristics

- Cable Type – Cat6A STP FLAT
- Connector Type(s) – Shielded 8P8C (RJ45)
- Wiring Scheme – T568B
- Temperature Rating – -20°C to +75°C
- Voltage Rating – 30V

Conductor (Qty. 4 twisted pair)

- Conductor Type – (7/0.08mm), Stranded Bare Copper
- Insulation – HDPE
- Diameter – 0.6±0.05mm
- Pair Identification:
 - Pair1=Orange, Orange-White
 - Pair2=Blue, Blue-White
 - Pair3=Green, Green-White
 - Pair4=Brown, Brown-White

Connector Type (Qty. 2)

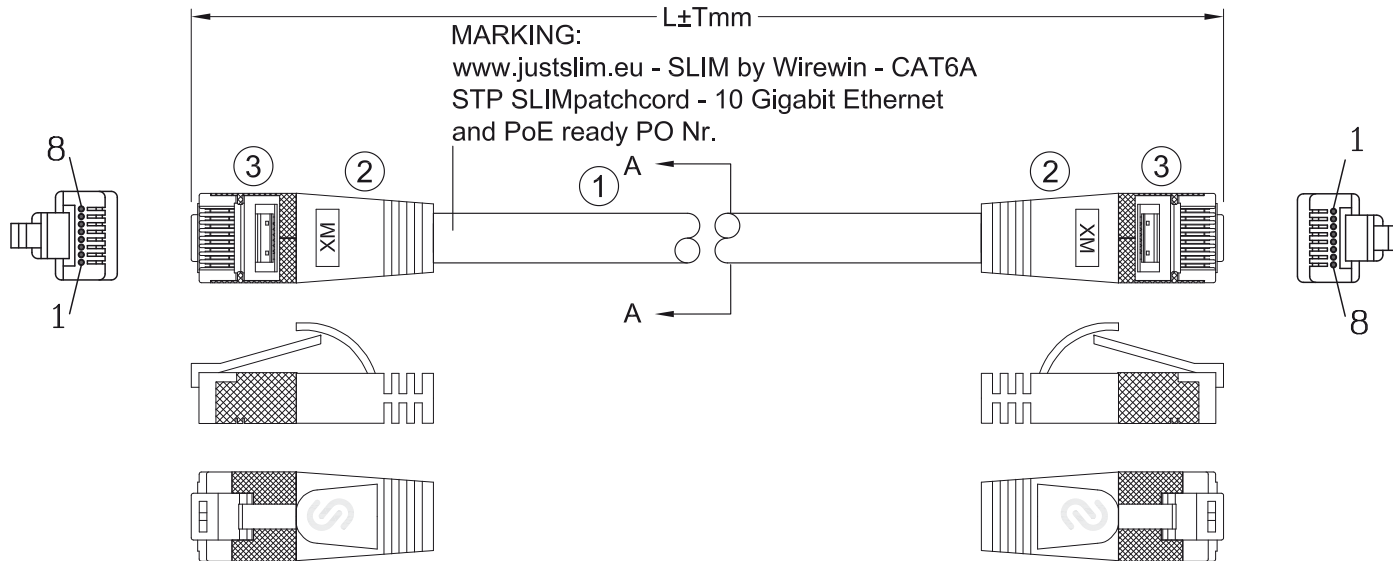
- Connector Type – Shielded 8P8C (RJ45) LONG LATCH, NICKEL-PLATED SHELL
- Gender – Male
- Connector Material – PC TRANSPARENT YELLOW
- Contact Material – Copper Alloy, Gold Plating – 3µm

Overall Cable

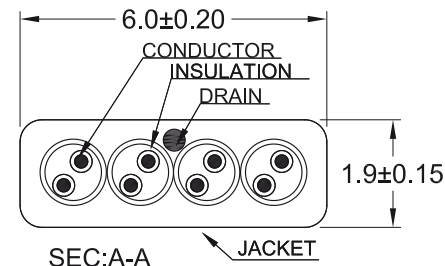
- Jacket – PVC
- Minimum Average Thickness – 0.51mm
- Outer Diameter – 1.9±0.15*6.0±0.20mm

Electrical Characteristics

- Conductor DC Resistance – 15.2Ω/100m (maximum)
- Impedance – 100Ω
- Capacitance – 5600pf/100m
- Propagation Delay – 545ns/100m (maximum)
- Delay Skew – 45ns/100m (maximum)
- DSX-5000 Fluke Channel link test: 50m solid cable as testing cable; the other side of patch cable: 0.5m standard patch cable



P1	P2	
1	1	WHITE/ORANGE
2	2	ORANGE
3	3	WHITE/GREEN
6	6	GREEN
4	4	BLUE
5	5	WHITE/BLUE
7	7	WHITE/BROWN
8	8	BROWN
S	S	SHIELDED



3	RJ45 PLUG: 8P8C 3U" GOLD PLATED TWO PIECES SHORT BODY PLUG; NICKEL PLATED SHELL.	
2	MOLDED: PVC MOLDED BOOT .	
1	CABLE: CAT.6A STP 4P(7/0.08mm BC)+DRAIN(7/0.12mm TC) OD=1.9±0.15*6.0±0.20mm PVC JACKET.	
NO.	SPECIFICATION	Q'TY
BOM LIST		

ITEM NO:	PKW-STP-SLIM-K6A			DRAWER DATE	20181121
TITLE				CHECKED DATE	20181121
CUSTOMER				APPROVED DATE	
MATERIAL		SCALE			
REV.	A	UNIT	MM		
DRAWING NO:					
ACAD FILE					