



ENT.A Series

Current Transformers Data Sheet



Technical Specifications

Standards	TS EN 61869-2 / IEC 61869-2
Maximum operating voltage (Un)	720V
Operating frequency	50/60Hz
Operating temperature	-5°C...+40°C
Nominal thermic current	1,2xIn
Nominal thermic short circuit current (Ith)	60xIn max 60kA 1sn
Rated dynamic current(Idyn)	2,5xIth 1 period
Isolation test voltage	3kV/1 min.
Cable temperature class	H(180°C max.)
Protection class	IP20
Seconder terminals	Nickel Plated Brass M5 Screw
Recommended Tightening Torque	2Nm (Seconder terminals)
Accuracy Class	0,2- 0,2S- 0,5- 0,5S- 1- 3
Rated Power	1-30VA
Nominal Primary current	5-5000A
Nominal Seconder current	1A / 5A
Usage type	Building/Indoor

Accuracy Class

Accuracy Class	Rated current ± % Current Error				
	1%	5%	20%	100%	120%
0,2	-	0,75	0,35	0,2	0,2
0,2s	0,75	0,35	0,2	0,2	0,2
0,5	-	1,5	0,75	0,5	0,5
0,5s	1,5	0,75	0,5	0,5	0,5
1	-	3	1,5	1	1
3	-	-	3	-	3

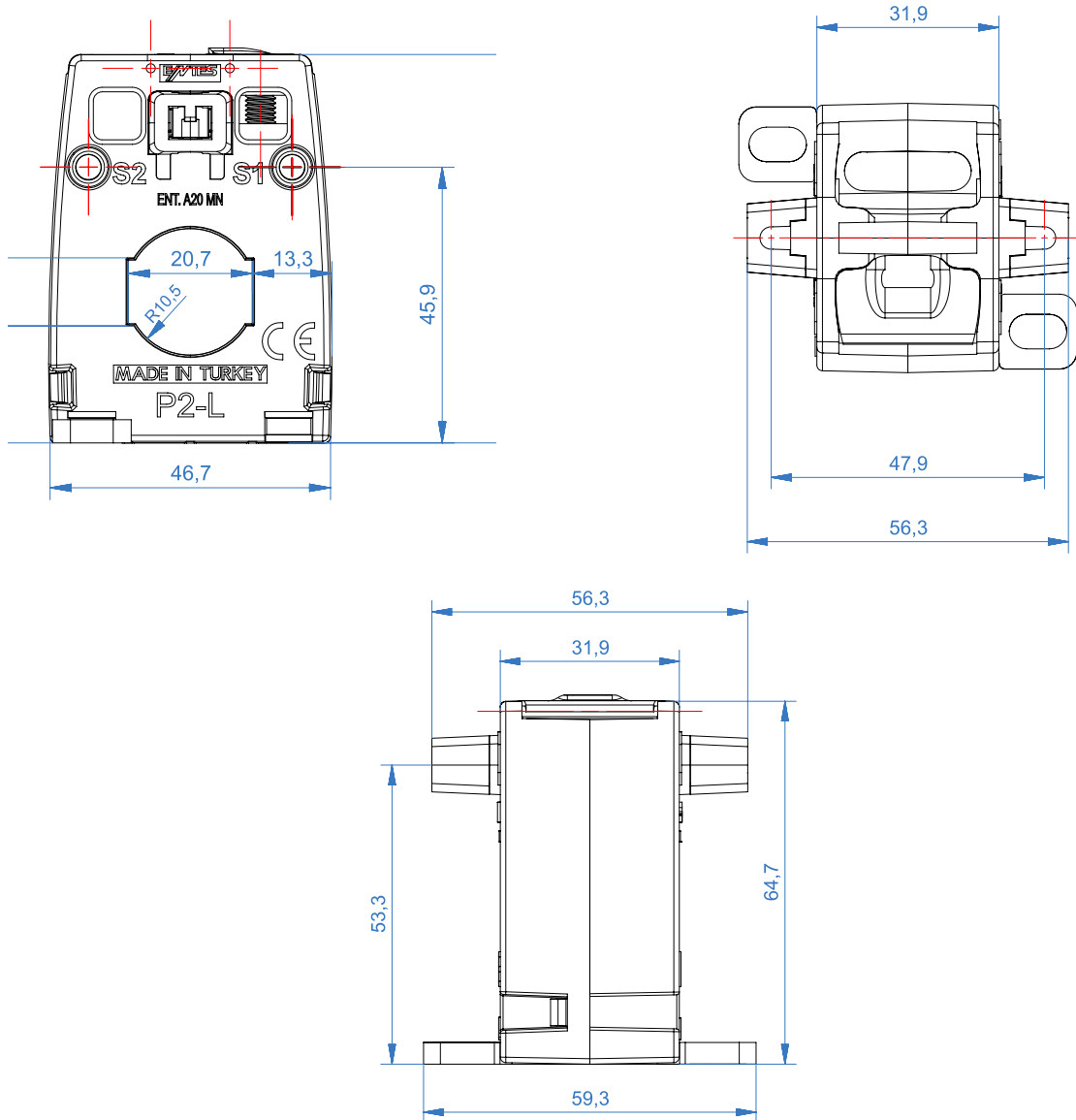
Current error and phase shift error limit (TS EN 61869-2 0.2 - 0.2s - 0.5 - 0.5s - 1 class)

ENT.A20MN Series

Models

Bus Dimensions	Primary Current(A)	Nominal Power(VA)	Class 0,5	Class 1	Class 3
20x10 mm	40	1			✓
	50, 60	1,25		✓	
	75	1,5		✓	
	100	2,5		✓	
	125	4		✓	
	150	5		✓	
	200	5		✓	
	250	7,5		✓	
	300	5		✓	

Technical Drawing

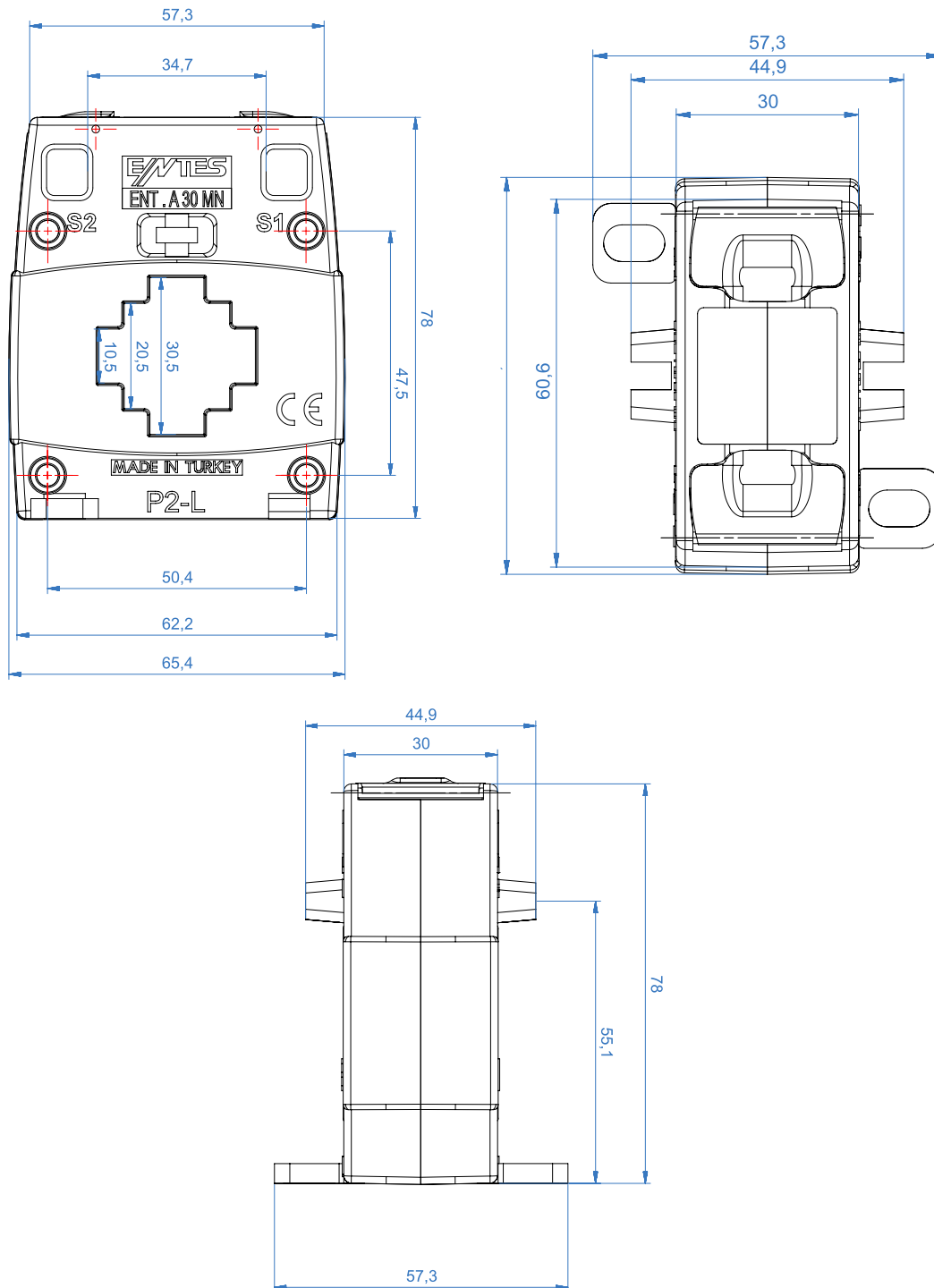


ENT.A30MN Series

Models

Bus Dimensions	Primary Current(A)	Nominal Power(VA)	Class 0,5	Class 1	Class 3
30x10 mm	30, 40	1			✓
	50	1		✓	
	60, 75	1,5		✓	
	80	2,5		✓	
	100, 125	1,5	✓		
	100, 125	2,5		✓	
	150, 200, 250	2,5	✓		
	300, 400	5	✓		

Technical Drawing

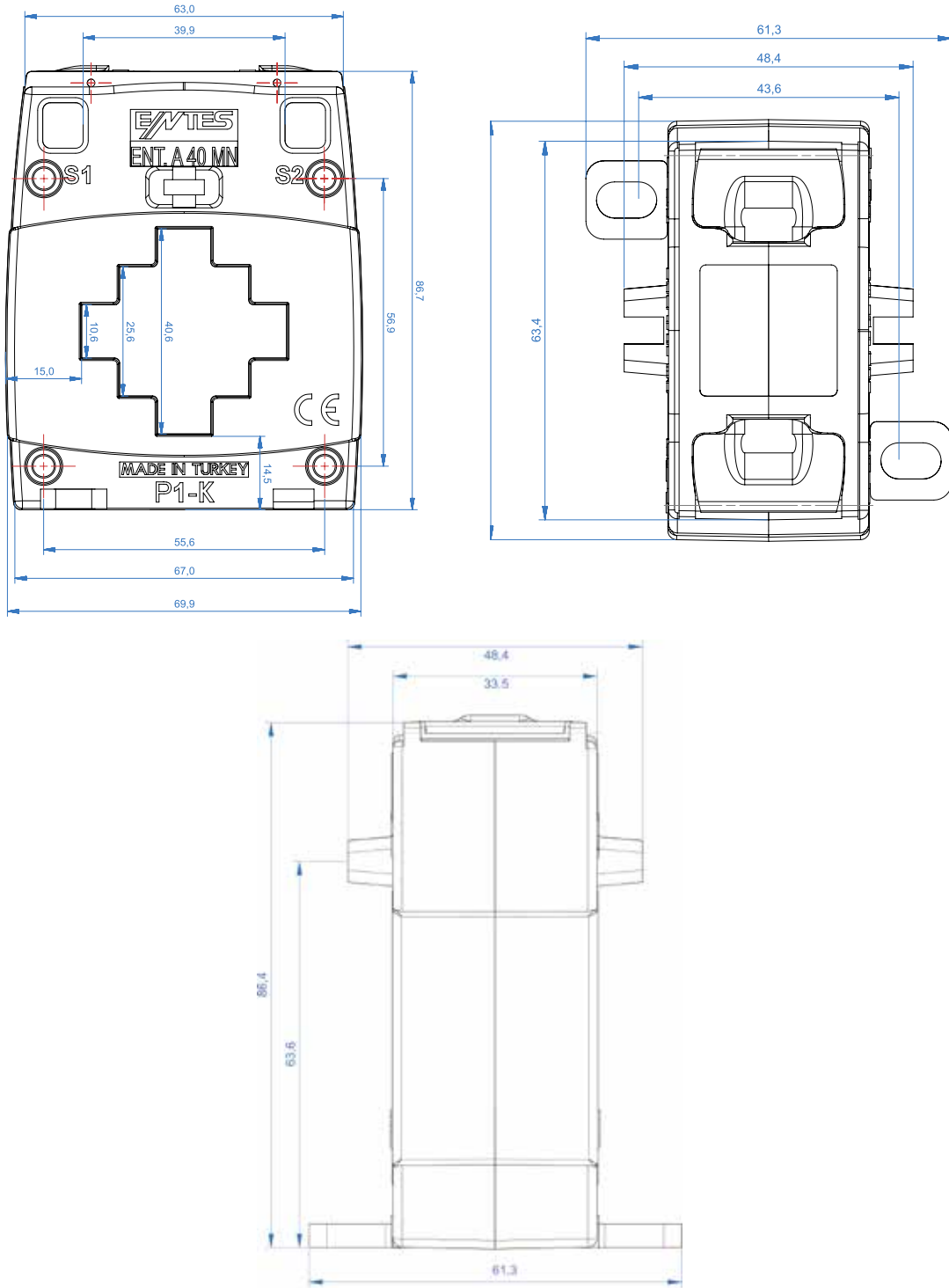


ENT.A40MN Series

Models

Bus Dimensions	Primary Current(A)	Nominal Power(VA)	Class 0,5	Class 1
40x10 mm	100	1,5		✓
	125, 150	2,5		✓
	200	1,5	✓	
	250	2,5	✓	
	300, 400, 500, 600	5	✓	
	750, 800	10	✓	

Technical Drawing

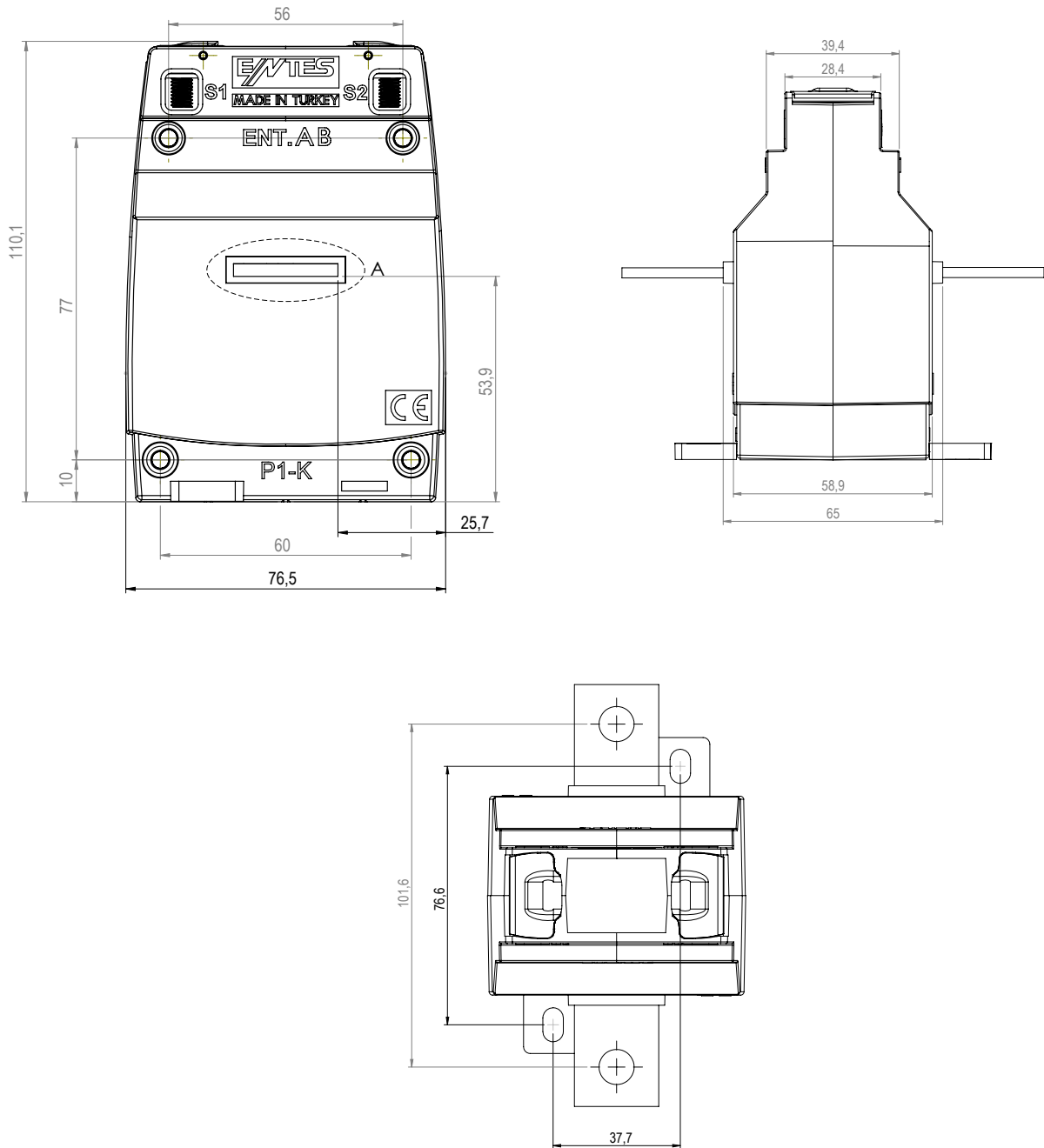


ENT.AB Series

Models

Bus Dimensions	Primary Current(A)	Nominal Power(VA)	Class 0,5
Bus Type	20, 25, 30, 40, 50, 60, 75, 80, 100, 125, 150	10	✓

Technical Drawing

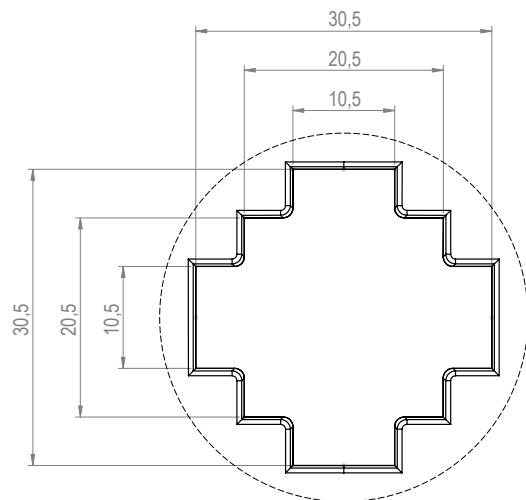
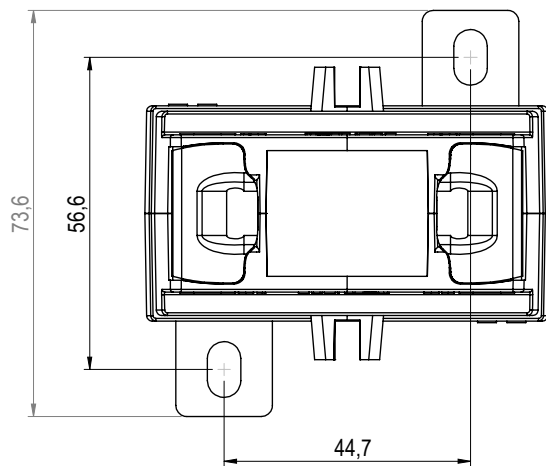
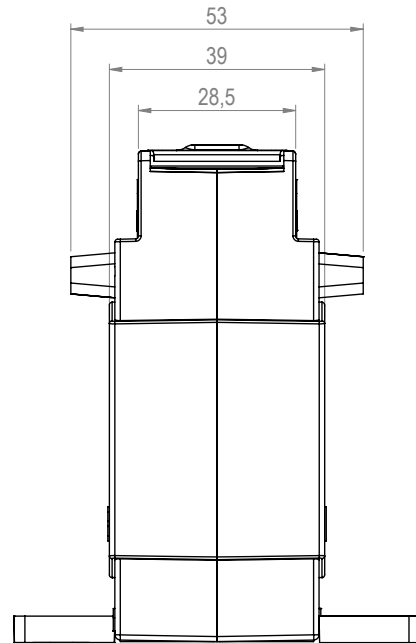
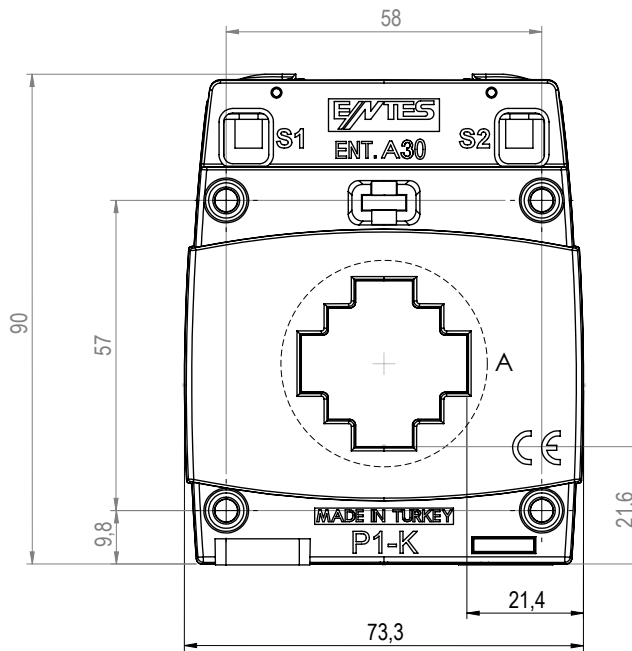


ENT.A30 Series

Models

Bus Dimensions	Primary Current(A)	Nominal Power(VA)	Class 0,5	Class 1	Class 3
30x10 mm	30	1			✓
	40	1,5		✓	
	50, 60,75,80	2,5		✓	
	100, 125, 150, 200, 250	5		✓	
	200,250	5	✓		
	250	10		✓	
	300	5		✓	
	200,300	10	✓		

Technical Drawing

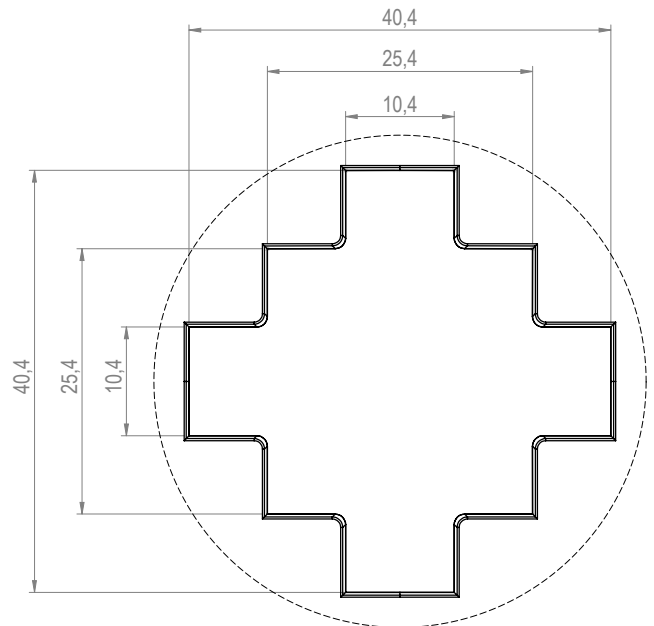
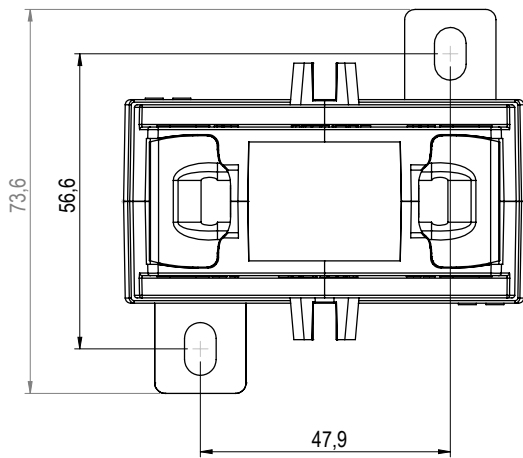
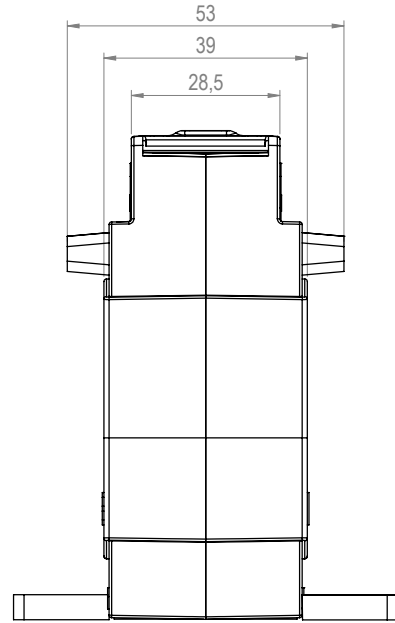
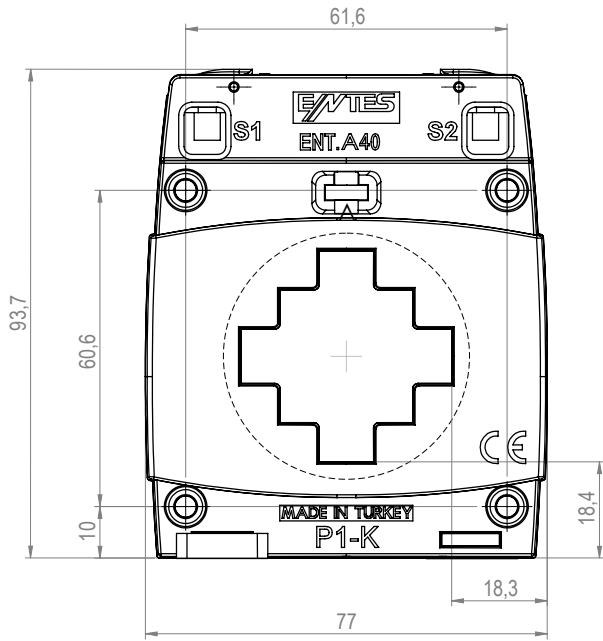


ENT.A40 Series

Models

Bus Dimensions	Primary Current(A)	Nominal Power(VA)	Class 0,5
40x10 mm	250, 400	5	✓
	300, 400, 500, 600	10	✓

Technical Drawing

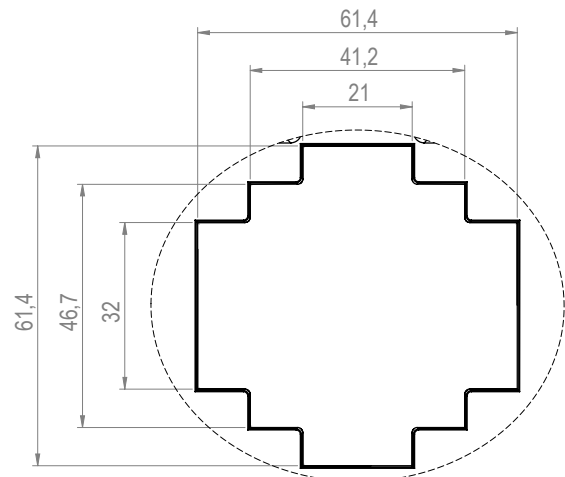
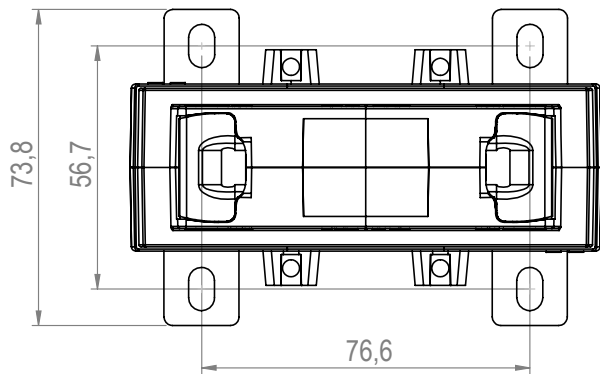
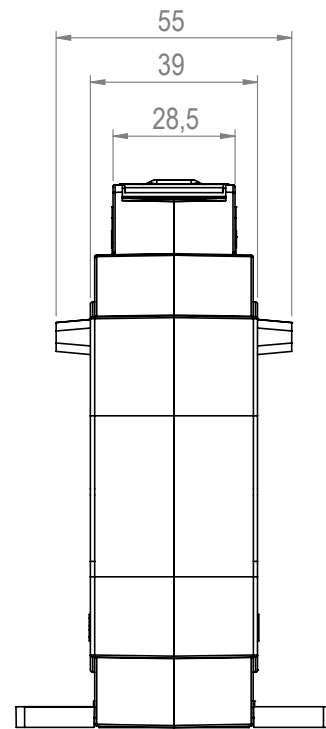
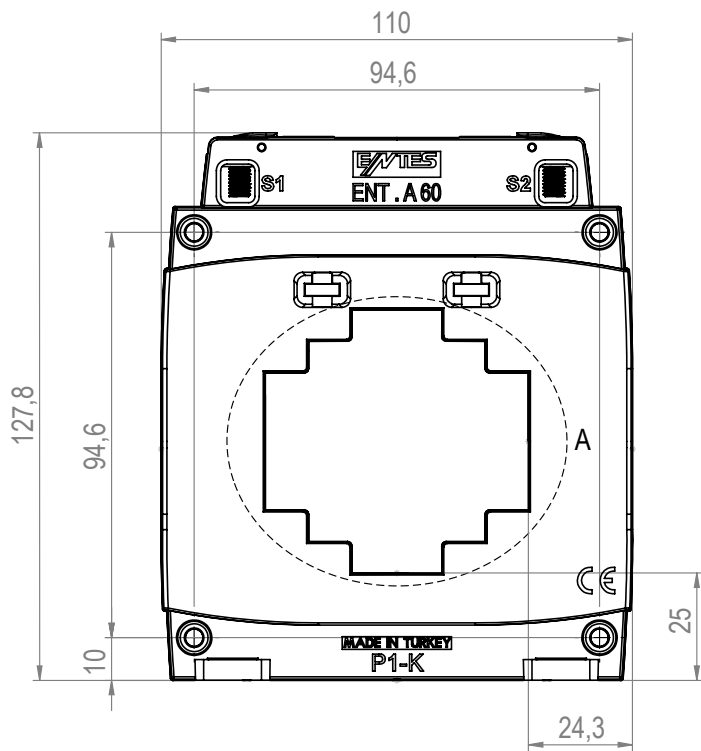


ENT.A60 Series

Models

Bus Dimensions	Primary Current(A)	Nominal Power(VA)	Class 0,5
60x30 mm	400, 500	5	✓
	600, 750, 800, 1000, 1200, 1250	10	✓
	1500, 1600, 2000	15	✓

Technical Drawing

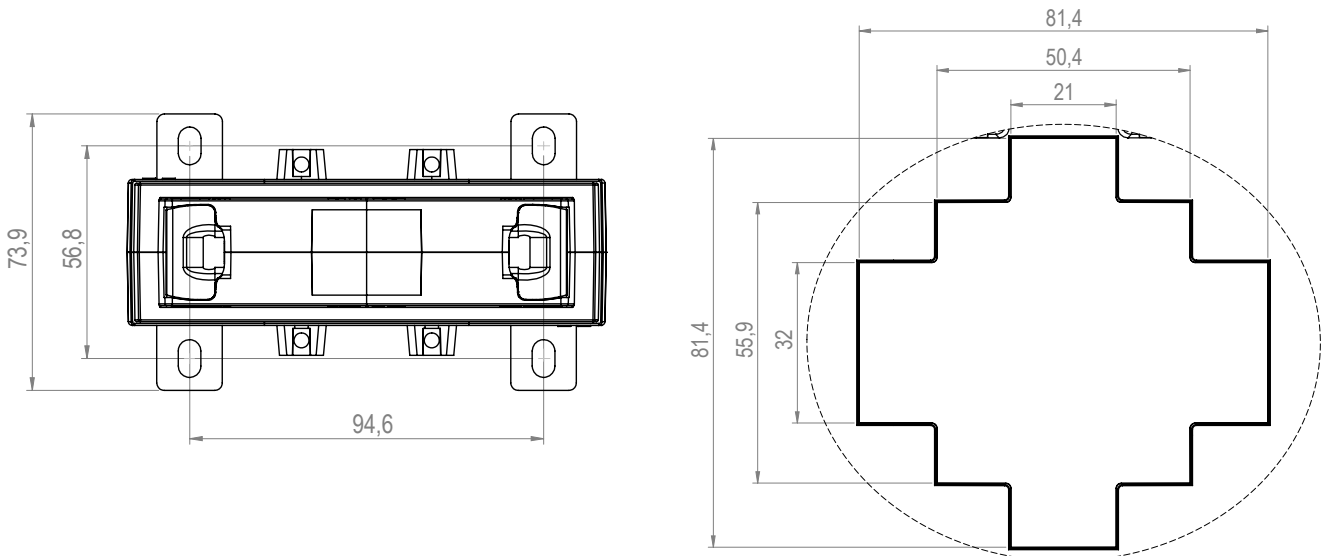
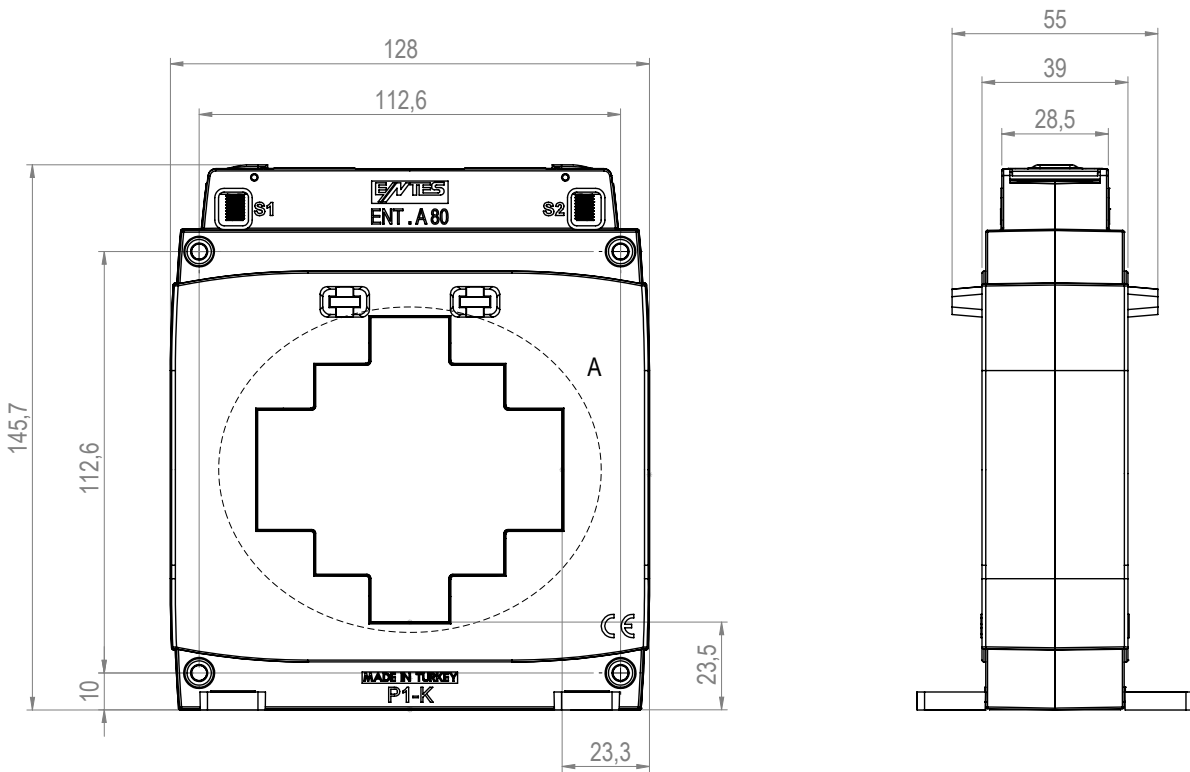


ENT.A80 Series

Models

Bus Dimensions	Primary Current(A)	Nominal Power(VA)	Class 0,5
80x30mm	600, 800, 1000, 1250	10	✓
	1500, 1600, 2000, 2500	15	✓

Technical Drawing

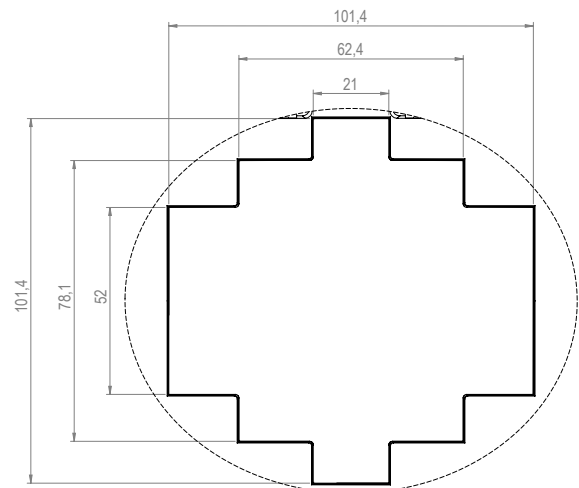
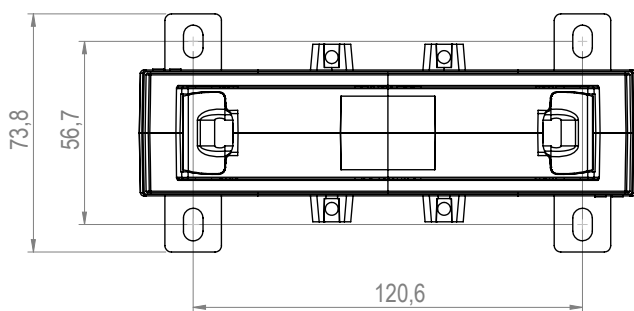
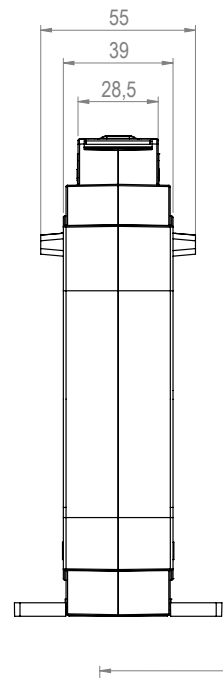
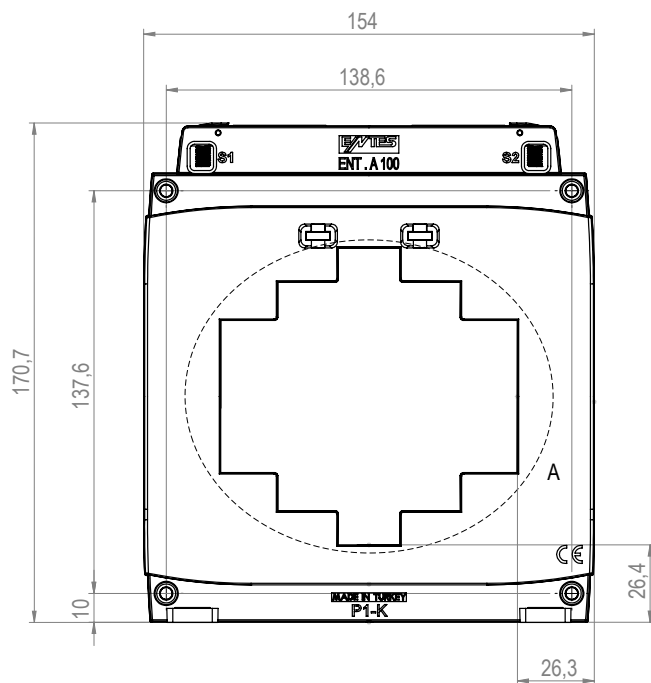


ENT.A100 Series

Models

Bus Dimensions	Primary Current(A)	Nominal Power(VA)	Class 0,5
100x50 mm	800, 1000, 1250	10	✓
	1600, 2000, 2500, 3000	15	✓
	4000, 50000	30	✓

Technical Drawing

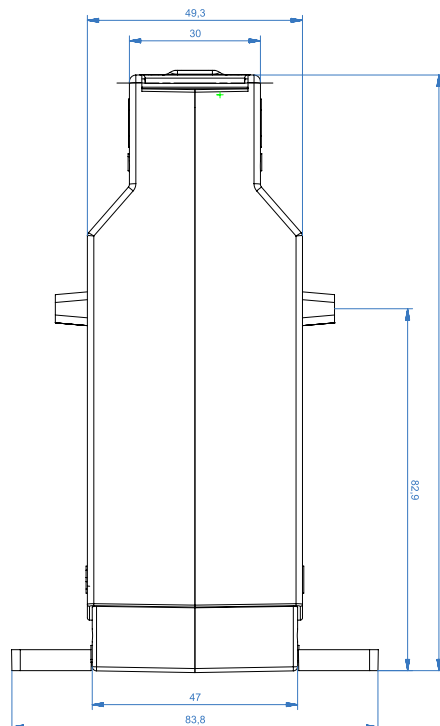
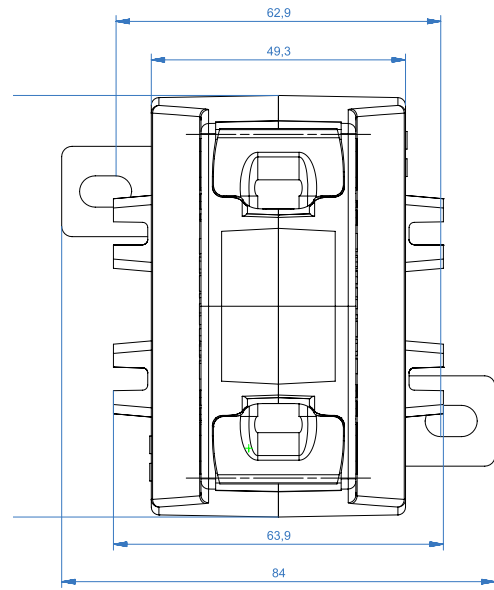
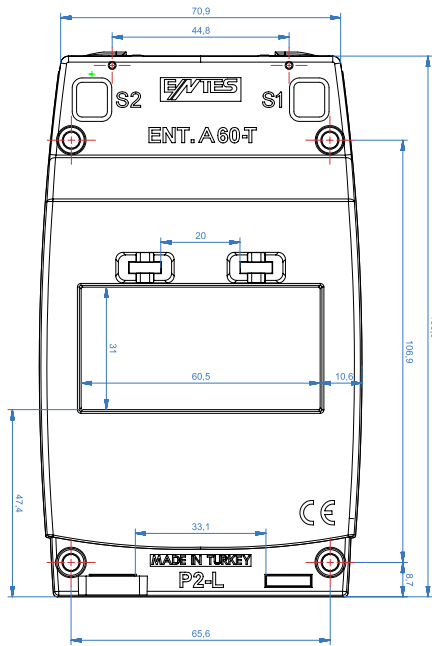


ENT.A60T Series

Models

Bus Dimensions	Primary Current(A)	Nominal Power(VA)	Class 0,5
60x30 mm	500,600, 750	5	✓
	800, 1000, 1200	10	✓
	1250, 1600, 2000	15	✓

Technical Drawing

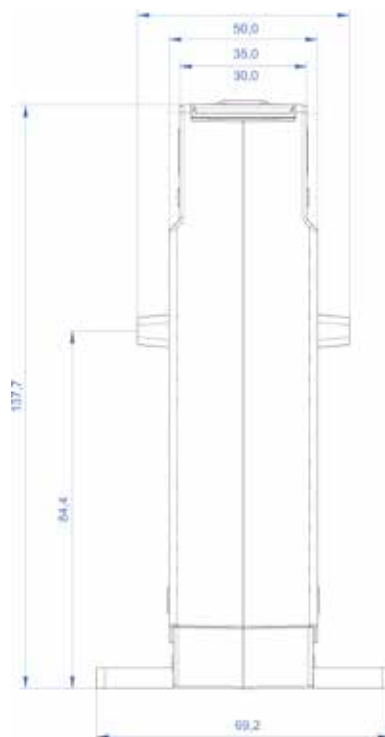
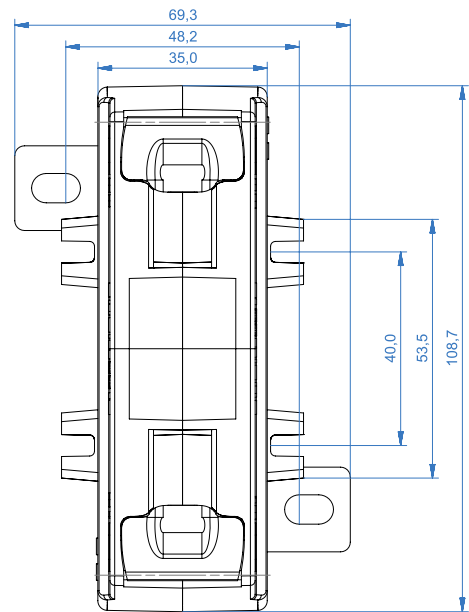
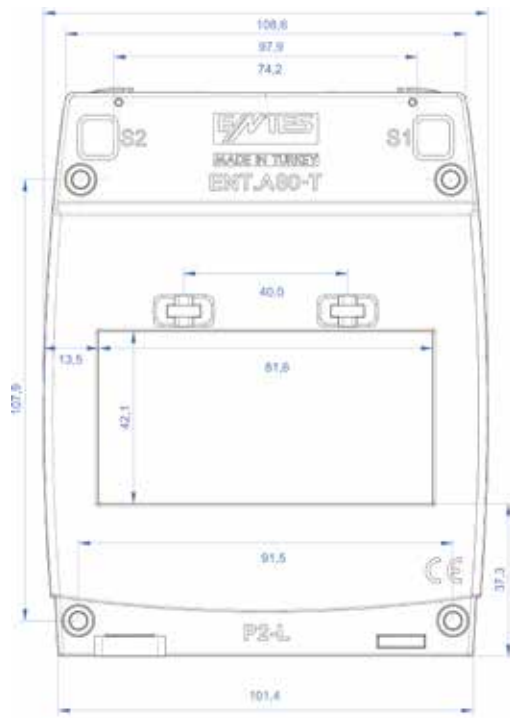


ENT.A80T Series

Models

Bus Dimensions	Primary Current(A)	Nominal Power(VA)	Class 0,5
80x40 mm	600, 800, 1000, 1200, 1250, 1500, 1600, 2000, 2500	10	✓
	800,1000 ,1200, 1250, 1500, 1600, 2000, 2500	15	✓

Technical Drawing



ENT.A100T Series

Models

Bus Dimensions	Primary Current(A)	Nominal Power(VA)	Class 0,5
100x50mm	1000	10	✓
	1000, 1250,1500, 1600, 2000, 2500, 3000, 3200, 4000	15	✓
	3000, 3200, 4000	30	✓

Technical Drawing

