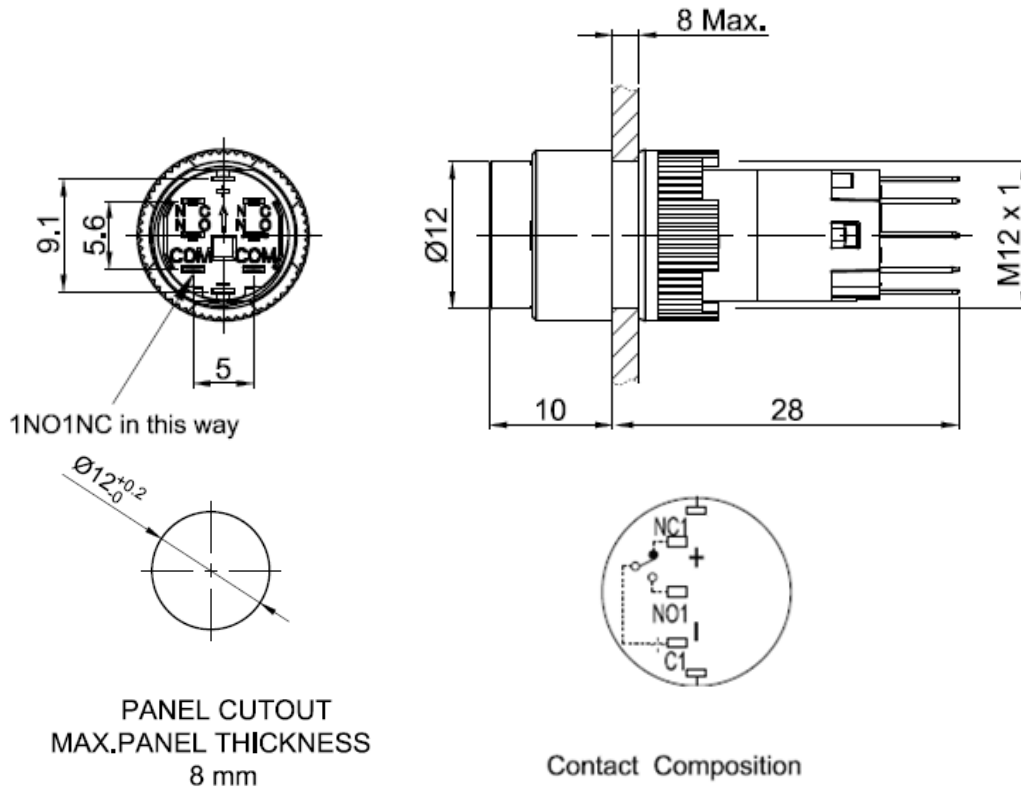


Push button switch

Version 08/21



Specification

Mounting diameter	12mm
Head shape	round head
Operation type	Momentary / Latching
Contact structure	1NO1NC
Switch rating	3A/250VAC
Terminal	pin terminal
Operating and storage temperature	-25 to +55 °C
Operating and storage humidity	45 to 85 % RH
IP rating	IP40

Item no.	Function	Head Color
2357009	Momentary	Red
2357010	Momentary	Green
2357011	Momentary	Blue
2357012	Latching	Red
2357013	Latching	Green
2357014	Latching	Blue