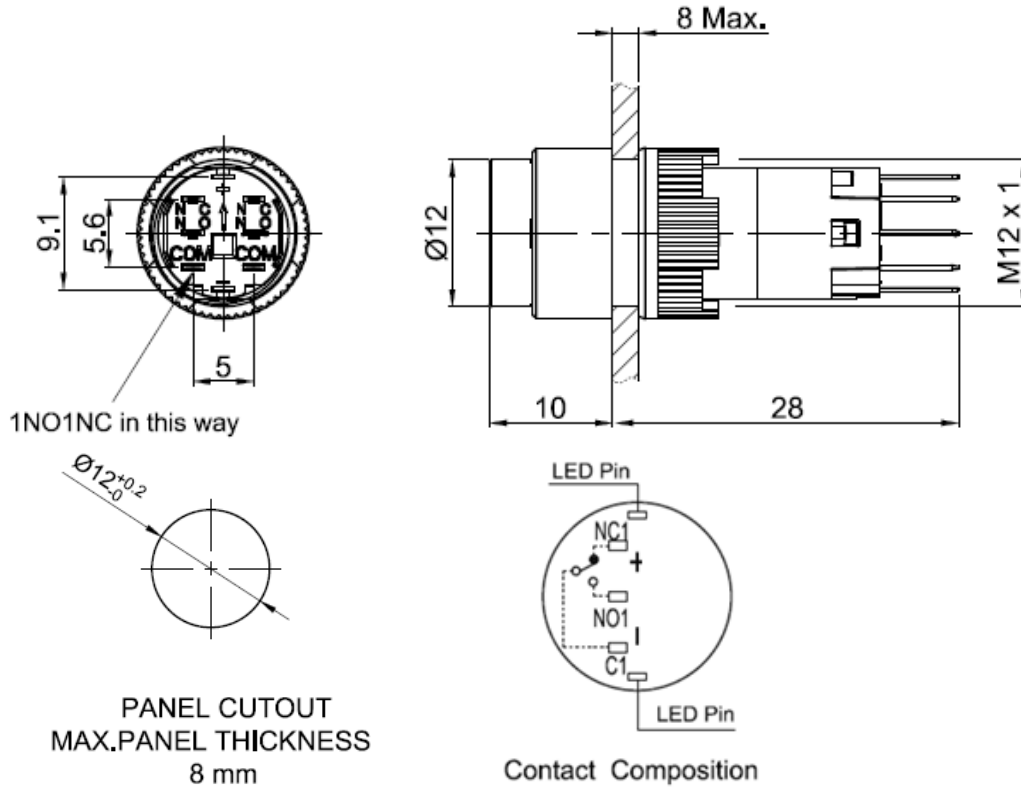


Push button switch

Version 08/21



Specification

Mounting diameter	12mm
Head shape	round head
Operation type	Momentary / Latching
Contact structure	1NO1NC
Switch rating	3A/250VAC
Terminal	pin terminal
Operating and storage temperature	-25 to +55 °C
Operating and storage humidity	45 to 85 % RH
IP rating	IP40

Item no.	Function	LED color	LED voltage
2357015	Momentary	Red	12V
2357016	Momentary	Green	12V
2357017	Momentary	Blue	12V
2357018	Latching	Red	12V
2357019	Latching	Green	12V
2357020	Latching	Blue	12V