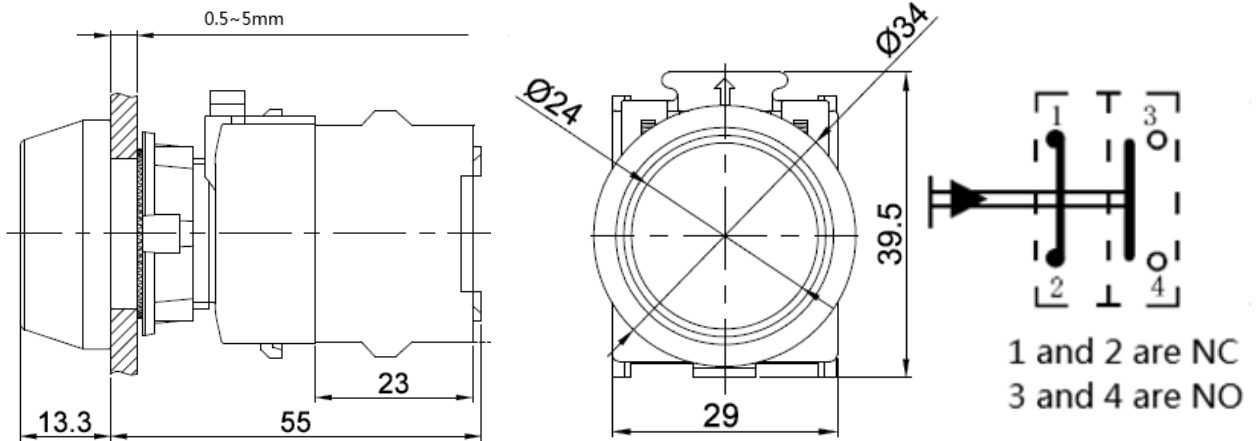


Push button switch

Version 03/29



Specification

- Mounting diameter..... 22 mm
- Head shape Round head
- Operation type..... Momentary/latching
- Contact structure 1NO1NC
- Switch rating..... Ue:250V Ie:5A
- Terminal Screw terminal
- Operating and storage temperature -25 to +55°C
- Operating and storage humidity 45 to 85 % RH
- IP rating..... IP40

Item no.	Operation type
2357021	Momentary
2357022	Momentary
2357023	Momentary
2357024	Latching
2357025	Latching
2357026	Latching