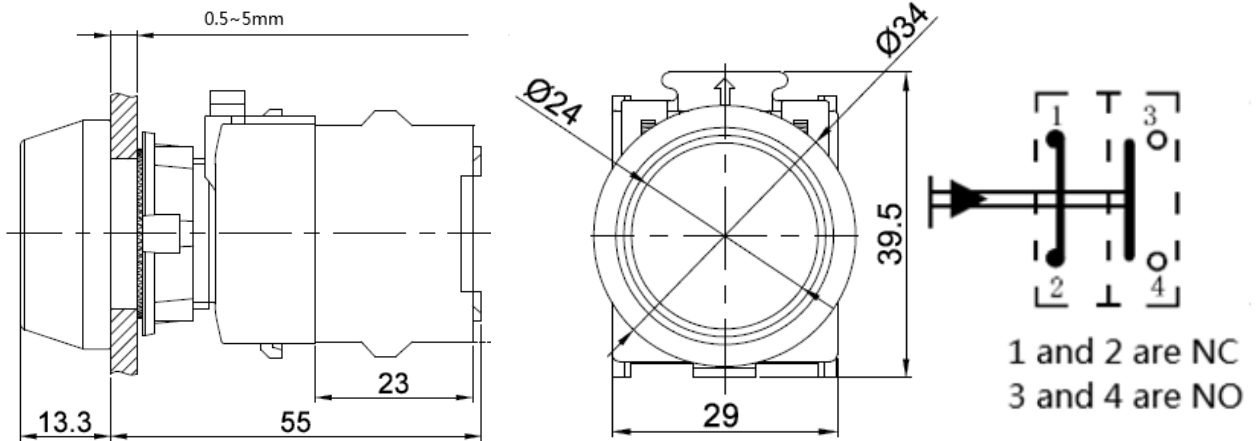


Push button switch

Version 03/29



Specification

- Mounting diameter..... 22 mm
- Head shape Round head
- Operation type..... Momentary/latching
- Contact structure 1NO1NC
- Switch rating..... Ue:250V Ie:5A
- Terminal Screw terminal
- Operating and storage temperature -25 to +55°C
- Operating and storage humidity 45 to 85 % RH
- IP rating..... IP40

| Item no. | Operation type |
|----------|----------------|
| 2357021 | Momentary |
| 2357022 | Momentary |
| 2357023 | Momentary |
| 2357024 | Latching |
| 2357025 | Latching |
| 2357026 | Latching |