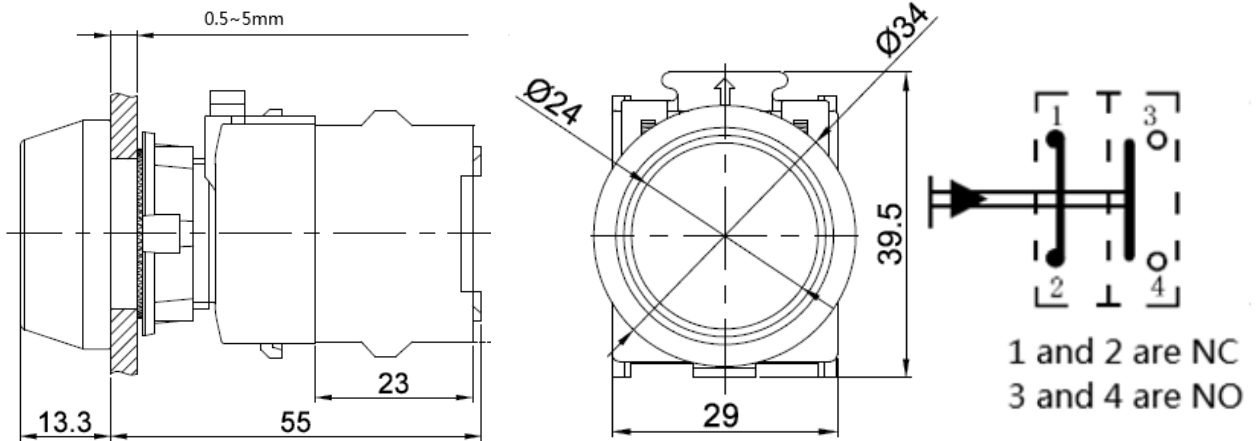


Push button switch

Version 03/29



Specification

Mounting diameter.....	22 mm
Head shape.....	Round head
Operation type.....	Momentary/latching
Contact structure.....	1NO1NC
Switch rating.....	Ue:250V Ie:5A
Terminal.....	Screw terminal
Operating and storage temperature.....	-25 to +55°C
Operating and storage humidity.....	45 to 85 % RH
IP rating.....	IP40

Item no.	Operation type
2357021	Momentary
2357022	Momentary
2357023	Momentary
2357024	Latching
2357025	Latching
2357026	Latching