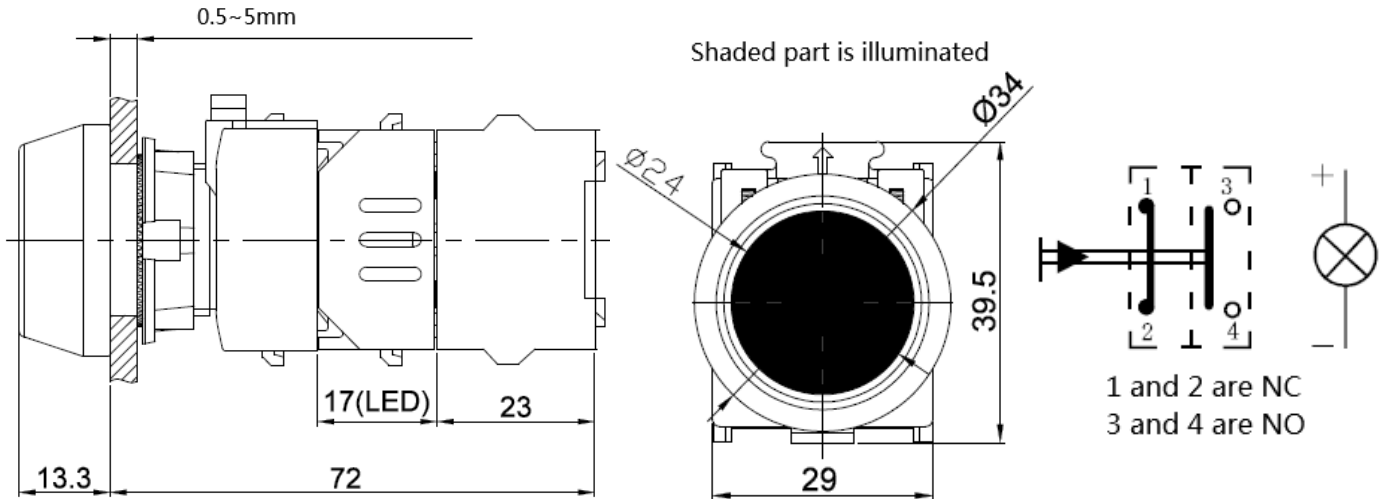


**Push button switch**

**Version 03/29**



**Specification**

- Mounting diameter..... 22 mm
- Head shape..... Round head
- Operation type..... Momentary/latching
- Illumination..... Full actuator
- Contact structure..... 1NO1NC
- Switch rating..... Ue:250V Ie:5A
- Terminal..... Screw terminal
- Operating and storage temperature..... -25 to +55°C
- Operating and storage humidity..... 45 to 85 % RH
- IP rating..... IP40

Item no.	Operation type	LED color	LED voltage
2357027	Momentary	Red	12 V
2357028	Momentary	Green	12 V
2357029	Momentary	Blue	12 V
2357030	Latching	Red	12 V
2357031	Latching	Green	12 V
2357032	Latching	Blue	12 V