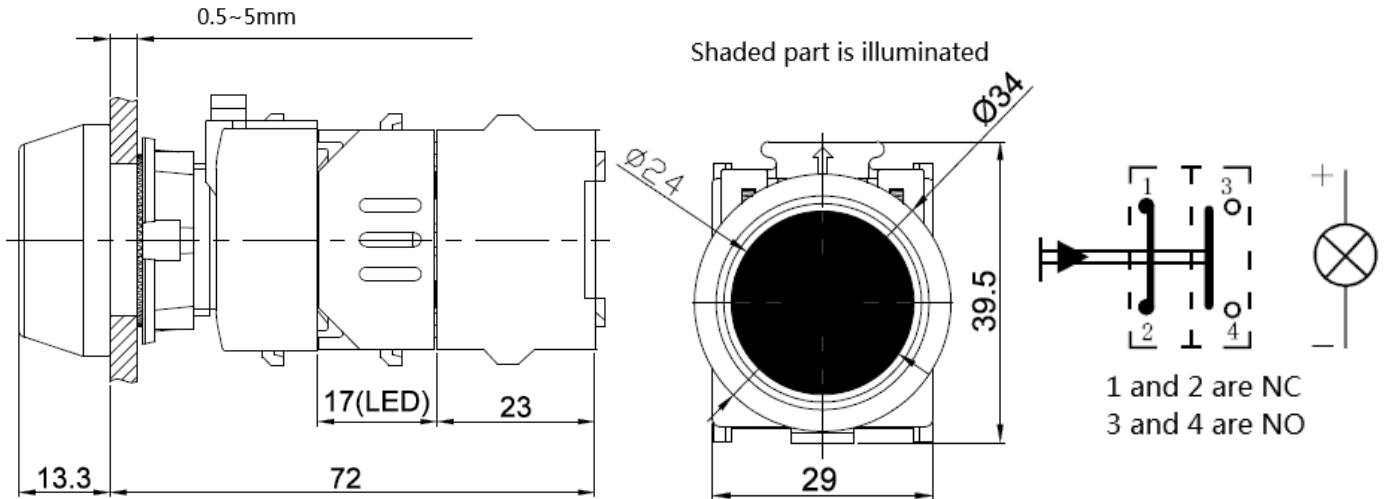


Push button switch

Version 03/29



Specification

- Mounting diameter..... 22 mm
- Head shape..... Round head
- Operation type..... Momentary/latching
- Illumination..... Full actuator
- Contact structure..... 1NO1NC
- Switch rating..... Ue:250V Ie:5A
- Terminal..... Screw terminal
- Operating and storage temperature..... -25 to +55°C
- Operating and storage humidity..... 45 to 85 % RH
- IP rating..... IP40

| Item no. | Operation type | LED color | LED voltage |
|----------|----------------|-----------|-------------|
| 2357027 | Momentary | Red | 12 V |
| 2357028 | Momentary | Green | 12 V |
| 2357029 | Momentary | Blue | 12 V |
| 2357030 | Latching | Red | 12 V |
| 2357031 | Latching | Green | 12 V |
| 2357032 | Latching | Blue | 12 V |