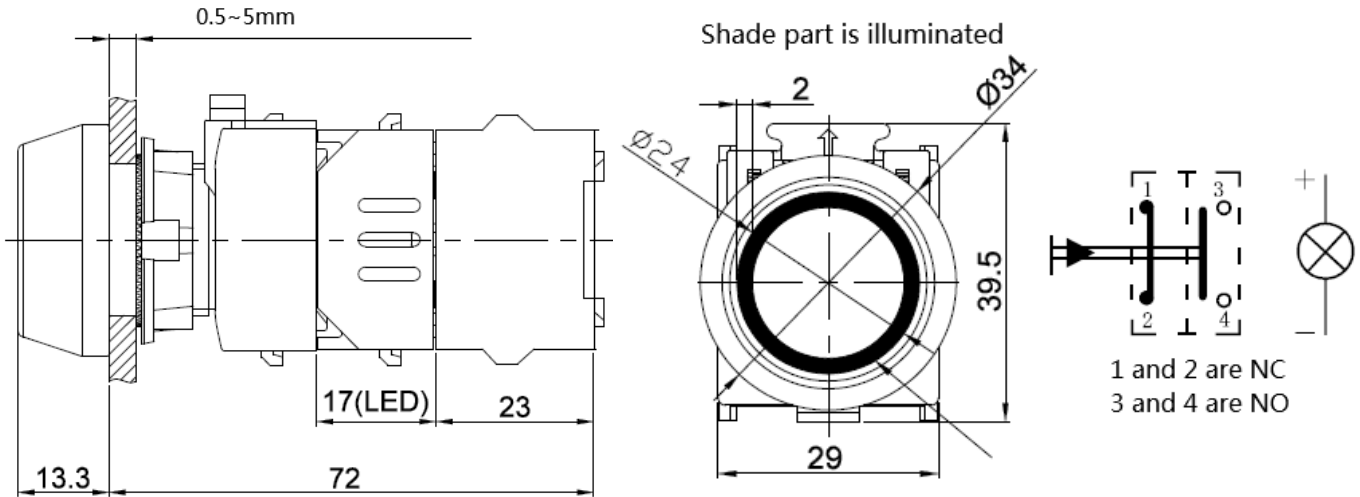


Push button switch

Version 03/29



Specification

Mounting diameter.....	22 mm
Head shape.....	Round head
Operation type.....	Momentary/latching
Illumination.....	Ring illumination
Contact structure.....	1NO1NC
Switch rating.....	Ue:250V Ie:5A
Terminal.....	Screw terminal
Operating and storage temperature.....	-25 to +55°C
Operating and storage humidity.....	45 to 85 % RH
IP rating.....	IP40

Item no.	Operation type	LED color	LED voltage
2357033	Momentary	Red	12 V
2357034	Momentary	Green	12 V
2357035	Momentary	Blue	12 V
2357036	Latching	Red	12 V
2357037	Latching	Green	12 V
2357038	Latching	Blue	12 V