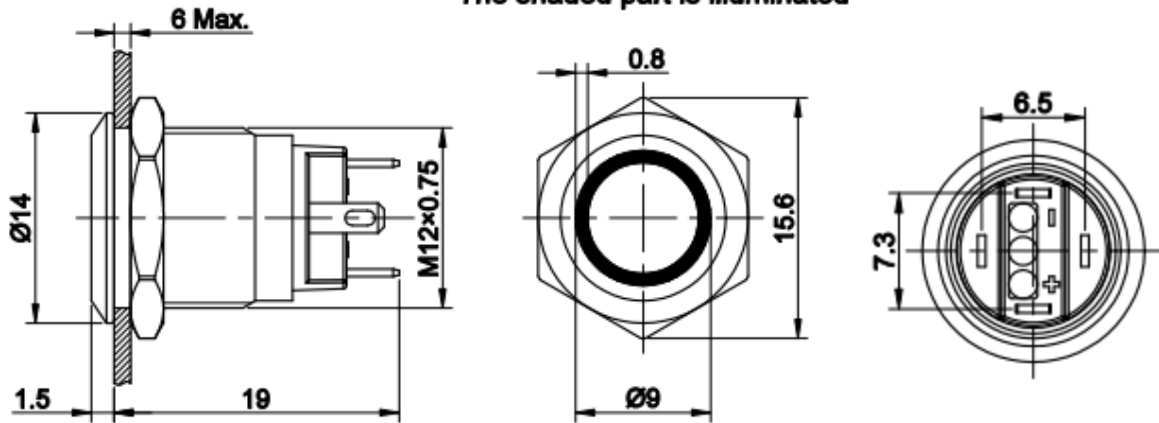


Data Sheet

Version 01/21

Push button switch

The shaded part is illuminated



Specification

Mounting diameter.....	12 mm
Head shape.....	Flat round head
Operation type.....	Momentary
Contact structure.....	1NO
Switch rating.....	2A/48VDC
Illumination type.....	Ring
Terminal.....	Soldering Pins
Body material.....	Black aluminium alloy
Operating and storage temperature.....	-25 to +55°C
Operating and storage humidity.....	45 to 85 % RH
Base material.....	PA
IP rating.....	IP67

Item no.	LED color	LED voltage
2357039	Blue	12V