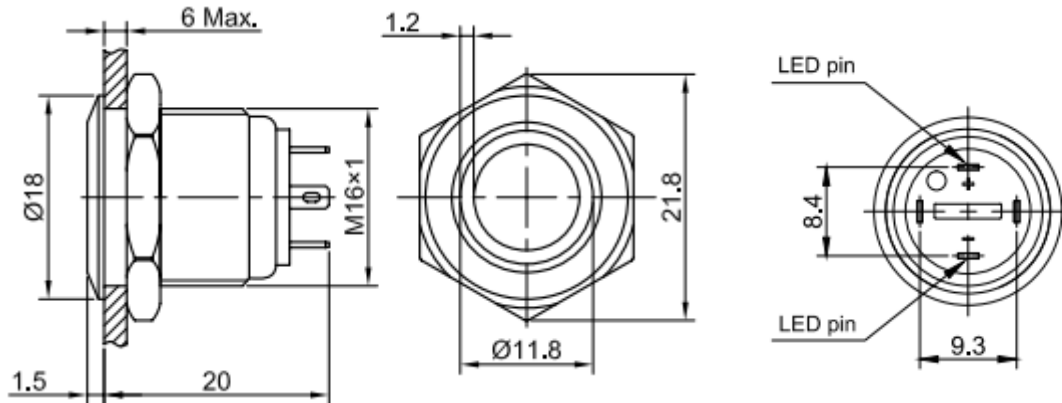


Data Sheet

Push button switch

Version 01/21



6 MAX: means the panel thickness, the max thickness for the panel no more than 6mm.

Specification

Mounting diameter.....	16 mm
Head shape.....	Flat round head
Operation type.....	Momentary
Contact structure.....	1NO
Switch rating.....	2A/48VDC
Illumination type.....	Ring
Terminal.....	Soldering Pins
Body material.....	Black aluminium alloy
Operating and storage temperature.....	-25 to +55°C
Operating and storage humidity.....	45 to 85 % RH
Base material.....	PBT
IP rating.....	IP65

Item no.	LED color	LED voltage
2357040	Red	12 V
2357041	Blue	12 V
2357042	Green	12 V