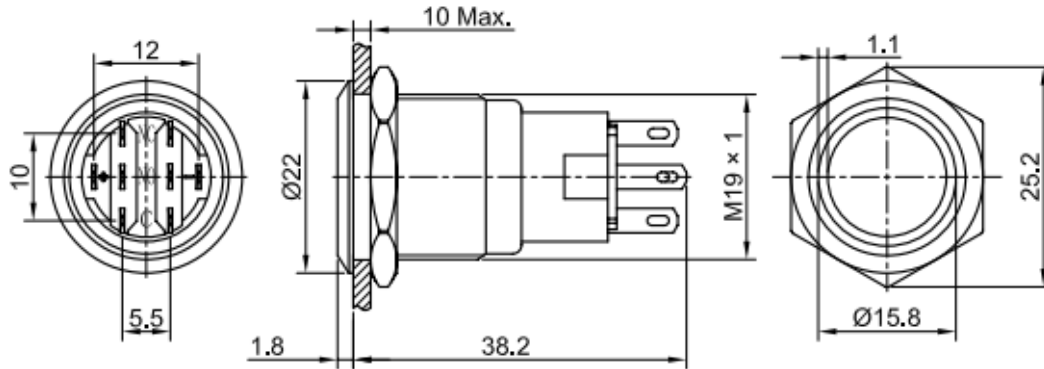


# Data Sheet

## Push button switch

Version 01/21



10 MAX: means the panel thickness, the max thickness for the panel no more than 10mm.

### Specification

Mounting diameter.....	19 mm
Head shape.....	Flat round head
Operation type.....	Momentary
Contact structure.....	2NO2NC
Switch rating.....	3A/250VAC
Illumination type.....	Ring
Terminal.....	Soldering Pins
Body material.....	Black aluminium alloy
Operating and storage temperature.....	-25 to +55°C
Operating and storage humidity.....	45 to 85 % RH
Base material.....	PBT
IP rating.....	IP65

Item no.	LED color	LED voltage
2357043	Red	12 V
2357044	Blue	12 V
2357045	Green	12 V