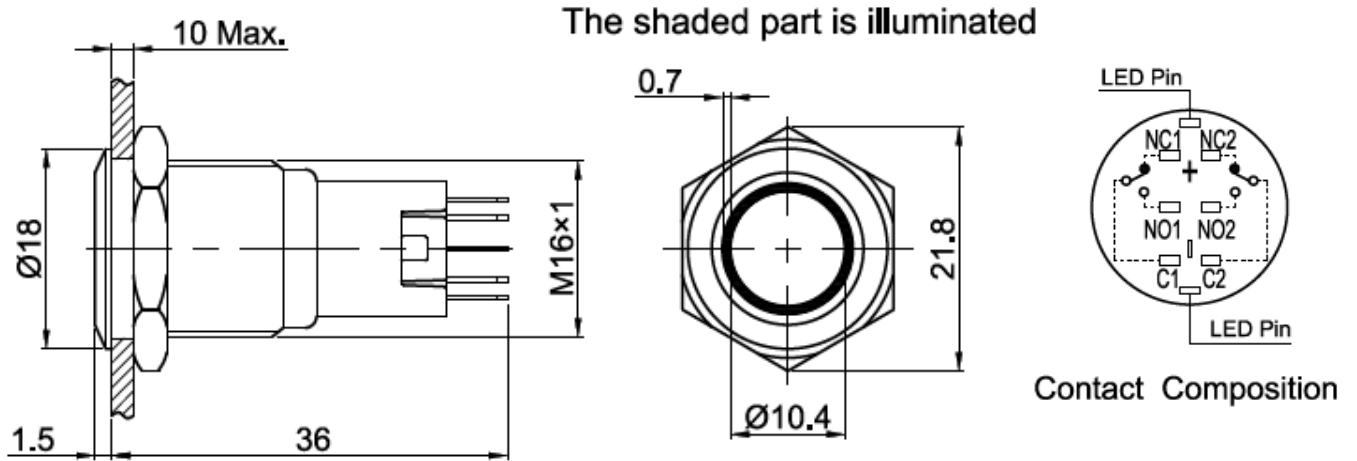


Data Sheet

Push button switch

Version 07/21



10 MAX: means the panel thickness, the max thickness for the panel no more than 10mm.

Specification

Mounting diameter.....	16 mm
Head shape.....	Flat round head
Operation type.....	Momentary/latching
Contact structure.....	1NO1NC/2NO2NC
Switch rating.....	3A/250VAC
Illumination type.....	Ring
Terminal.....	Soldering Pins
Body material.....	Black aluminium alloy
Operating and storage temperature.....	-25 to +55°C
Operating and storage humidity.....	45 to 85 % RH
Base material.....	PA
IP rating.....	IP65

Item no.	LED color	LED voltage	Operation type	Contact structure
2357046	Blue	12 V	Momentary	1NO1NC
2357047	Blue	12 V	Latching	1NO1NC
2357048	Blue	12 V	Momentary	2NO2NC
2357049	Blue	12 V	Latching	2NO2NC