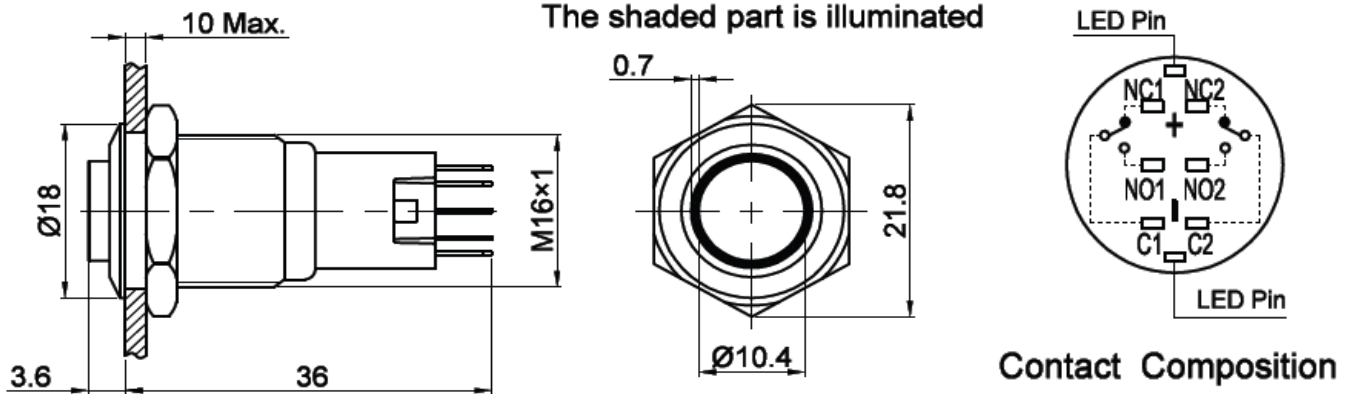


Data Sheet

Push button switch

Version 07/21



10 MAX: means the panel thickness, the max thickness for the panel no more than 10mm.

Specification

| | |
|--|-----------------------|
| Mounting diameter..... | 16 mm |
| Head shape..... | Raised round head |
| Operation type..... | Momentary/latching |
| Contact structure..... | 1NO1NC/2NO2NC |
| Switch rating..... | 3A/250VAC |
| Illumination type..... | Ring |
| Terminal..... | Soldering Pins |
| Body material..... | Black aluminium alloy |
| Operating and storage temperature..... | -25 to +55°C |
| Operating and storage humidity..... | 45 to 85 % RH |
| Base material..... | PA |
| IP rating..... | IP65 |

| Item no. | LED color | LED voltage | Operation type | Contact structure |
|----------|-----------|-------------|----------------|-------------------|
| 2357050 | Blue | 12 V | Momentary | 1NO1NC |
| 2357051 | Blue | 12 V | Latching | 1NO1NC |
| 2357052 | Blue | 12 V | Momentary | 2NO2NC |
| 2357053 | Blue | 12 V | Latching | 2NO2NC |