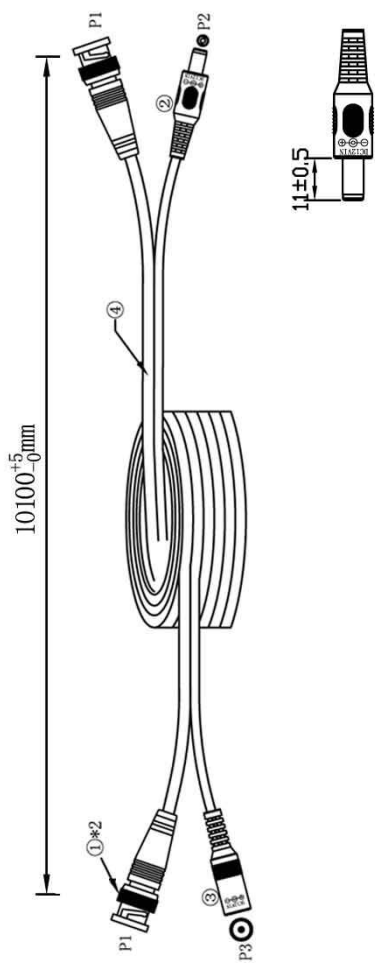
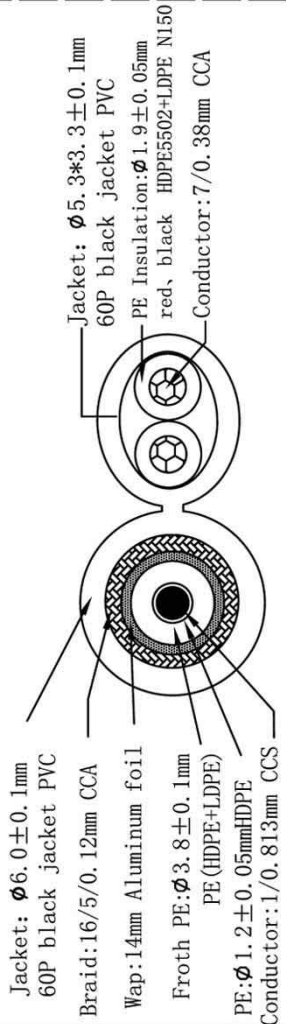


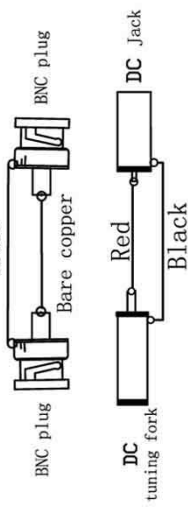
Picture



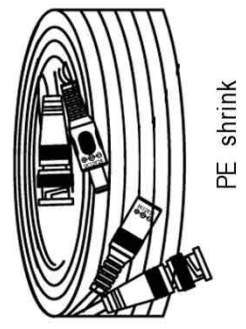
Structure



Connection



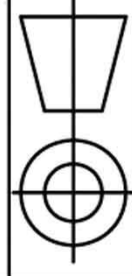
Packing



N0	Name of materials	Specification
①	BNC Plug PVC PE	BNC plug 55P black jacket PVC
②	DC tuning fork PVC	5.5*2.1*22 Nickel plated DC tuning fork 55P black jacket PVC
③	DC Jack PVC	$\phi 7.0$ Nickel plated DC Jack 55P black jacket PVC
④	Cable	XPS-RG59DC
⑤	Packing	PE shrink
	Inner carton	370*370*345mm
	Carton	388*388*375mm

Product No :

Product Name :



Drawn' d/Date

CC TV Cable (MDS3003)

Yao 2011.1.28