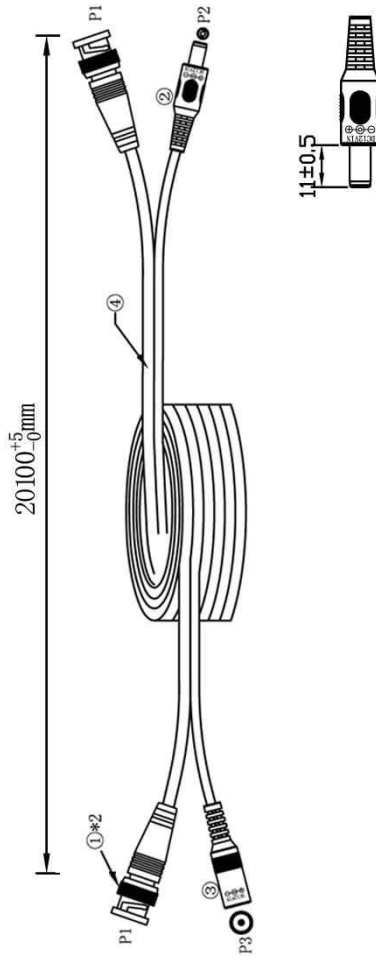
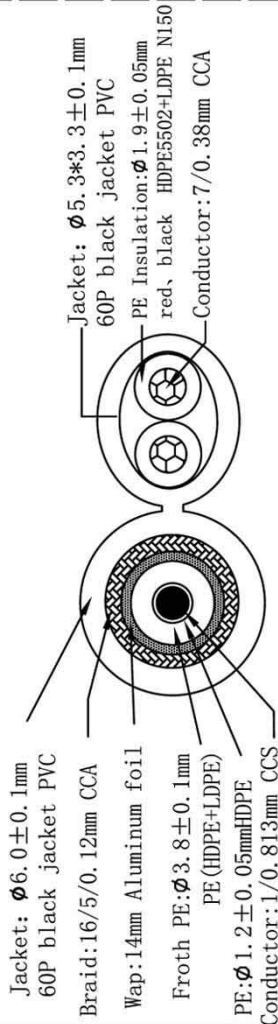


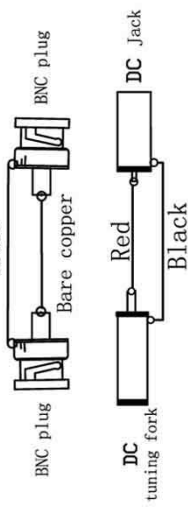
Picture



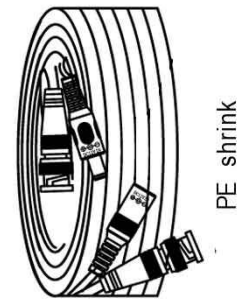
Structure



Connection



Packing



NO	Name of materials	Specification
①	BNC Plug	BNC plug
②	PVC	55P black jacket PVC
	PE	
③	DC tuning fork	5.5*2.1*22 Nickel plated DC tuning fork
④	PVC	55P black jacket PVC
⑤	DC Jack	$\phi 7.0$ Nickel plated DC Jack
⑥	PVC	55P black jacket PVC
⑦	Cable	XPS-RG59DC
⑧	Packing	PE shrink
⑨	Inner carton	440*225*350mm
⑩	Carton	458*243*380mm

Product No :

Product Name :



Drawn' d/Date

CC TV Cable (MDS3003)

Yao 2011.1.28