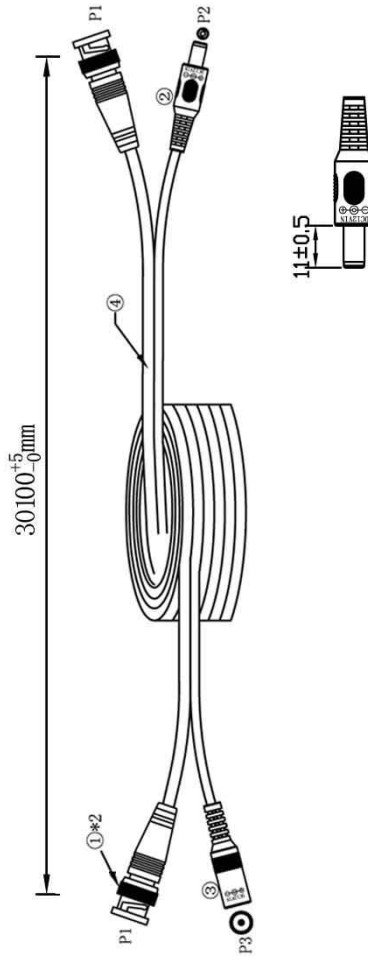
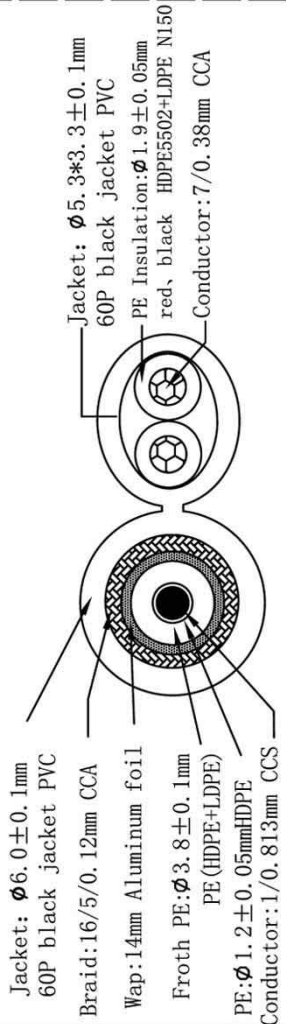


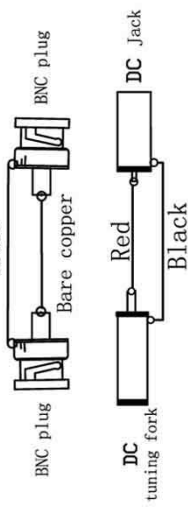
Picture



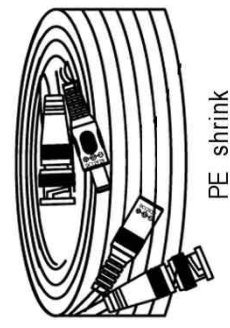
Structure



Connection



Packing



| NO | Name of materials | Specification |
|----|-------------------|-----------------------------------------|
| ① | BNC Plug | BNC plug |
| ② | PVC | 55P black jacket PVC |
| | PE | |
| ③ | DC tuning fork | 5.5*2.1*22 Nickel plated DC tuning fork |
| ④ | PVC | 55P black jacket PVC |
| ⑤ | DC Jack | Ø7.0 Nickel plated DC Jack |
| ⑥ | PVC | 55P black jacket PVC |
| ⑦ | Cable | XPS-RG59DC |
| ⑧ | Packing | PE shrink |
| ⑨ | Inner carton | 470*240*355mm |
| ⑩ | Carton | 488*258*385mm |

Product No :

Product Name :



Drawn' d/Date

CC TV Cable (MDS3003)

Yao 2011.1.28